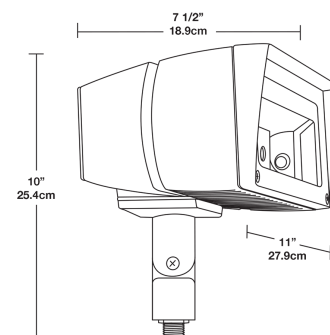


FFLED39

Rectangular shaped LED floodlight designed to replace 150W Metal Halide. Patent Pending airflow technology ensures long LED and driver lifespan. Use for building facade lighting, sign lighting, LED landscape lighting and instant-on security lighting.

Color: Bronze

Weight: 12.5 lbs



LED Info

Watts: 39W
 Color Temp: 5100K (Cool)
 Color Accuracy: 68
 L70 Lifespan: 100000
 LM79 Lumens: 2,991
 Efficacy: 66 LPW

Driver Info

Type: Constant Current
 120V: 0.4A
 208V: 0.25A
 240V: 0.22A
 277V: 0.19A
 Input Watts: 45W
 Efficiency: 86%

Technical Specifications

Lumen Maintenance:

100,000-hour LED lifespan based on IES LM-80 results and TM-21 calculations.

NEMA Type:

7H x 6V Beam Spread.

LEDs:

Three multi-chip, 13Watt high performance LEDs.

Driver:

Constant Current, Class 2, 100 - 277V, 50 - 60 Hz, 100 - 277VAC 0.7-0.55 Amps; 277VAC 0.55 Amps.

THD:

13.4% at 120V

Fixture Efficacy:

66 Lumens per Watt

Surge Protection:

6 KV

Ambient Temperature:

Suitable for use in 40°C ambient temperatures.

Cold Weather Starting:

The minimum starting temperature is -40°F/-40°C.

Thermal Management Housing:

Superior heat sinking with external Air-Flow fins.

Mounting:

Heavy-duty mounting arm with O ring seal & stainless steel screw.

Color Consistency:

7-step MacAdam Ellipse binning to achieve consistent fixture-to-fixture color.

Color Stability:

LED color temperature is warranted to shift no more than 200K in CCT over a 5 year period.

Color Accuracy:

68 CRI

Color Temperature (Nominal CCT):

5100K

Color Uniformity:

RAB's range of CCT (Correlated Color Temperature) follows the guidelines of the American National Standard for (SSL) Products, ANSI C78.377-2008.

Equivalency:

The FFLED39 is Equivalent in delivered lumens to a 150W Metal Halide.

Effective Projected Area:

EPA = 0.65

Reflector:

Semi-specular anodized aluminum.

Gaskets:

High-temperature silicone gaskets.

Finish:

Our environmentally friendly polyester powder coatings are formulated for high-durability and long-lasting color, and contains no VOC or toxic heavy metals.

Green Technology:

Mercury and UV free.

FFLED39 - continued

IESNA LM-79 & LM-80 Testing:

RAB LED luminaires have been tested by an independent laboratory in accordance with IESNA LM-79 and LM-80, and have received the Department of Energy Lighting Facts label.

California Title 24:

FFLED39 complies with California Title 24 building and electrical codes.

Warranty:

RAB warrants that our LED products will be free from defects in materials and workmanship for a period of five (5) years from the date of delivery to the end user, including coverage of light output, color stability, driver performance and fixture finish. See our full warranty .

Patents:

The FFLED design is protected by U.S. Pat. D643,147, Canada Pat. 140798, China Pat. ZL201130171304.1, Mexico Pat. 36757 and pending patent in Taiwan.

UL Listing:

Suitable For Wet Locations. Suitable for mounting within 1.2M(4FT) of the ground.

Threaded Size:

1/2" threaded arm.

DLC Listed:

This product is on the Design Lights Consortium (DLC) Qualified Products List and is eligible for rebates from DLC Member Utilities.