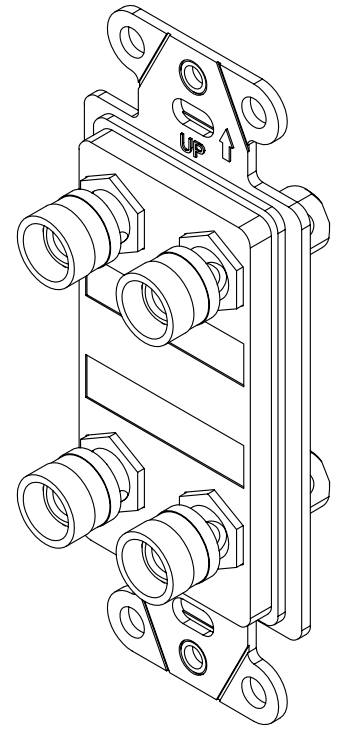


2

1

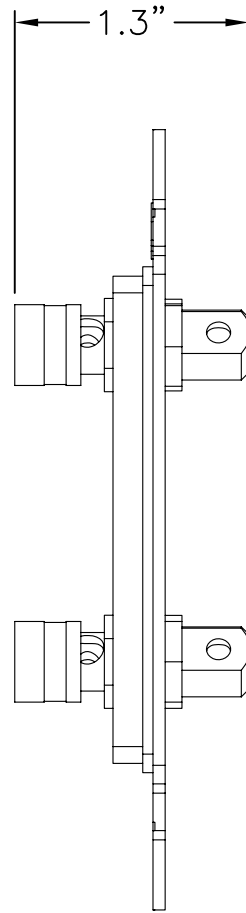
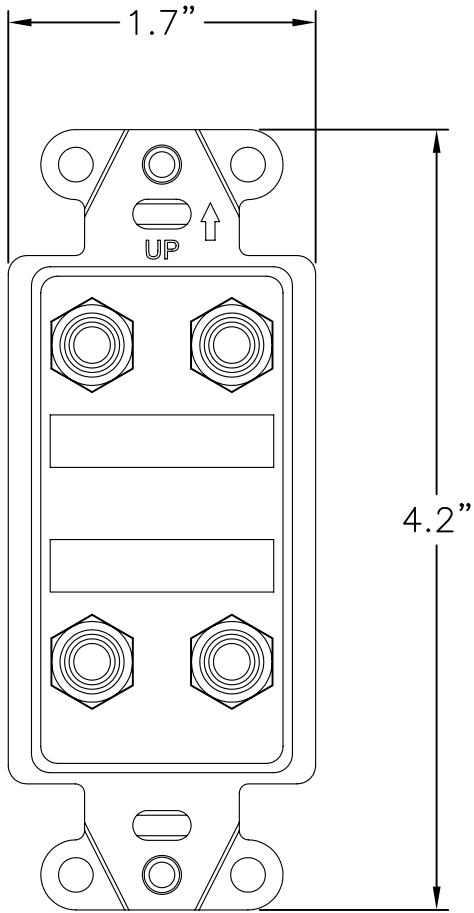
NOTES:

- 1. MATERIAL: ABS
- 2. APPLICATIONS: AUDIO CONNECTIONS
- 3. COLORS AVAILABLE: IVORY, BROWN, BLACK,  
LIGHT ALMOND ,WHITE
- 4. DECORATOR STYLE STRAP CONTAIN BINDING POST TO F-CONNECTOR
- 5. CONNECTORS ARE GOLD PLATED BRONZE
- 6. INSTALLATION HARDWARE INCLUDED



B

B



A

A

PROPRIETARY AND CONFIDENTIAL  
THE INFORMATION CONTAINED  
IN THIS DRAWING IS THE SOLE  
PROPERTY OF On-Q/LEGRAND.  
ANY REPRODUCTION IN PART OR  
AS A WHOLE WITHOUT THE WRITTEN  
PERMISSION OF On-Q/LEGRAND  
IS PROHIBITED. DRAWING IS SUBJECT  
TO CHANGE WITHOUT NOTICE.

**on·Q**

**legrand**

P.O. Box 60907  
Middletown, PA 17106-0907  
1-800-321-2343

TITLE:

**UNIVERSAL DUAL SPEAKER STRAP  
WITH LABELS**

SIZE <b>A</b>	DWG NO <b>F9005</b>	FILE NAME <b>CD-F9005</b>	CUST REV <b>1</b>
REVISED DATE 11/09/07	SCALE <b>NONE</b>	SHEET <b>1 OF 1</b>	

2

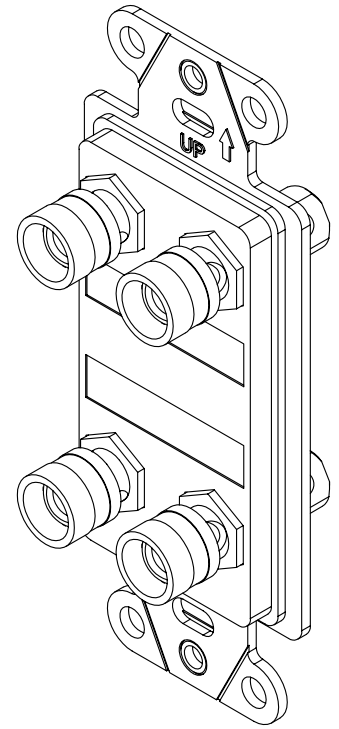
1

2

1

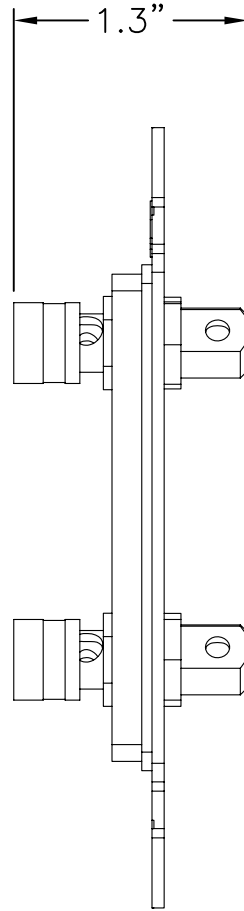
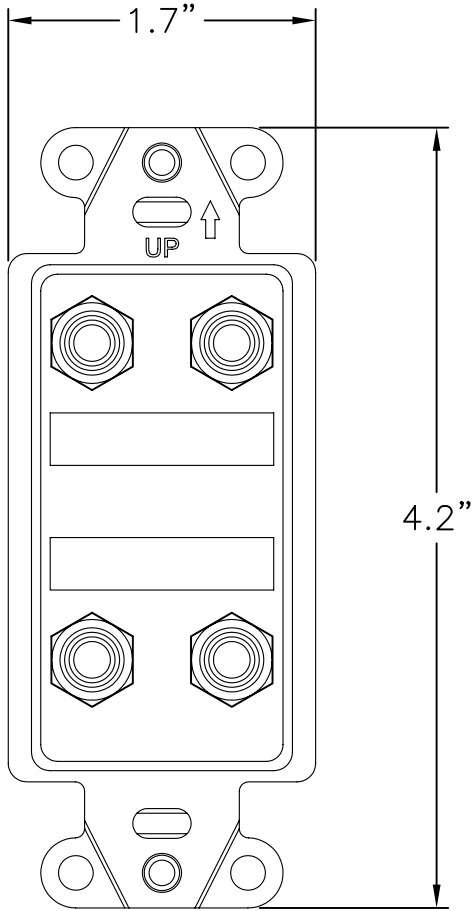
NOTES:

- 1. MATERIAL: ABS
- 2. APPLICATIONS: AUDIO CONNECTIONS
- 3. COLORS AVAILABLE: IVORY, BROWN, BLACK,  
LIGHT ALMOND ,WHITE
- 4. DECORATOR STYLE STRAP CONTAIN BINDING POST TO F-CONNECTOR
- 5. CONNECTORS ARE GOLD PLATED BRONZE
- 6. INSTALLATION HARDWARE INCLUDED



B

B



A

A

PROPRIETARY AND CONFIDENTIAL  
THE INFORMATION CONTAINED  
IN THIS DRAWING IS THE SOLE  
PROPERTY OF On-Q/LEGRAND.  
ANY REPRODUCTION IN PART OR  
AS A WHOLE WITHOUT THE WRITTEN  
PERMISSION OF On-Q/LEGRAND  
IS PROHIBITED. DRAWING IS SUBJECT  
TO CHANGE WITHOUT NOTICE.

**on·Q**

**legrand**

P.O. Box 60907  
Middletown, PA 17106-0907  
1-800-321-2343

TITLE:

**UNIVERSAL DUAL SPEAKER STRAP  
WITH LABELS**

SIZE <b>A</b>	DWG NO <b>F9005</b>	FILE NAME <b>CD-F9005</b>	CUST REV <b>1</b>
REVISED DATE 11/09/07	SCALE <b>NONE</b>	SHEET <b>1 OF 1</b>	

2

1