

# FACADE FLOOD SERIES

|        |      |           |
|--------|------|-----------|
| Cat. # |      | Approvals |
| Job    | Type |           |

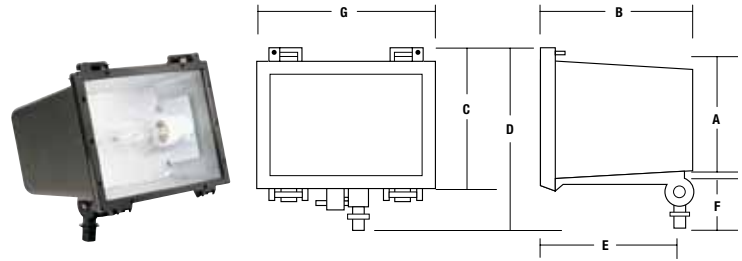


## APPLICATIONS

- Building facades, landscape lighting, sign lighting, display, as well as general safety and security lighting

## SPECIFICATIONS

- Durable die cast aluminum housing construction
- Polycarbonate door frame retains tempered glass and has twin tool-free latches for easy servicing. Gasketing provides weather-tight seal to housing
- Rugged 1/2" threaded knuckle mounting (1/2-10 NPSM)
- Wide uniform beam designed for close set backs. Lamp included
- HPS – reactor NPF ballastry 120V  
Metal halide – HX-HPF -20°F starting  
Compact fluorescent – electronic ballast 50/60 Hz 120-277V
- Bronze powder paint finish



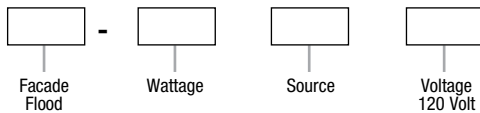
| A                                | B                               | C                                | D                                | E                                | F     | G      |
|----------------------------------|---------------------------------|----------------------------------|----------------------------------|----------------------------------|-------|--------|
| 4 <sup>9</sup> / <sub>16</sub> " | 6 <sup>7</sup> / <sub>8</sub> " | 7 <sup>7</sup> / <sub>16</sub> " | 8 <sup>1</sup> / <sub>16</sub> " | 6 <sup>1</sup> / <sub>16</sub> " | 2"    | 9"     |
| 116 mm                           | 175 mm                          | 189 mm                           | 205 mm                           | 154 mm                           | 51 mm | 229 mm |

## LISTINGS

- Listed to UL1598 for use in wet locations

## ORDERING INFORMATION

ORDERING EXAMPLE: F-100H1



| Catalog Number                  | Lamp Type/Wattage | NEMA Beam Type1 H° x V° | Voltage   | Weight lbs. (kg) | EPA ft² (m²) | Ballast Type |
|---------------------------------|-------------------|-------------------------|-----------|------------------|--------------|--------------|
| <b>High Pressure Sodium</b>     |                   |                         |           |                  |              |              |
| F-070S1                         | 70                | 6H x 7V                 | 120       | 7 (3.2)          | .6 (0.1)     | RX           |
| F-150S1                         | 150               | 6(127°) x 7(146°)       | 120       | 8 (3.6)          | .6 (0.1)     | RX           |
| <b>Pulse Start Metal Halide</b> |                   |                         |           |                  |              |              |
| F-050H1                         | 50                | 6H x 7V                 | 120       | 8 (3.6)          | .6 (0.1)     | CWA          |
| F-070H1                         | 70                | 6H x 7V                 | Quad-Tap® | 9 (4.1)          | .6 (0.1)     | CWA          |
| F-100H1                         | 100               | 6(128°) x 7(146°)       | Quad-Tap® | 10 (4.5)         | .6 (0.1)     | CWA          |
| <b>Compact Fluorescent</b>      |                   |                         |           |                  |              |              |
| F-042F8†                        | 42                | 6H x 7V                 | Quad-Tap® | 5 (2.3)          | .6 (0.1)     | ELECTRONIC   |

Note: All HPS units are NPF; Pulse Start Metal Halide units are all HPF  
 Note: Medium base lamps included  
 † CFL lamp is 3500K

## ACCESSORIES - Order Separately

| Catalog Number | Description   |
|----------------|---|
| PBT-1          | Photocontrol, button type, 120V   |
| NMBC           | Non-metallic, high-impact phenolic weatherproof box and cover; Box is drilled at 180° for two burial cable connectors which are included allowing feed-through capability; gasketed cover has weathertight 1/2" hub; Brass cover screws |
| S-302-M51      | Pole-top slipfitter for 1/2" knuckle, slipfits 2 3/8" OD pipe, bronze finish  |
| S-329-B        | Cast round box with (4) 1/2" side hubs and (1) 1/2" back hub - cover included with 1/2" hub for fixture knuckle; natural aluminum finish  |
| 1031-3         | Spike with splice box and 6 ft. cordset, portable; gray finish  |

## REPLACEMENT PARTS

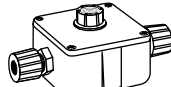
| Catalog Number   | Description         |
|------------------|---------------------|
| FL214-FRAMEGLASS | Lens door assembly  |
| FL214-GASKET     | Door gasket         |
| FL214-KNUCKLE    | Bronze 1/2" knuckle |



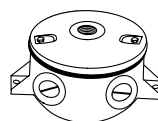
S-302-M51



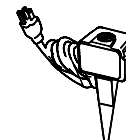
PBT-1



NMBC

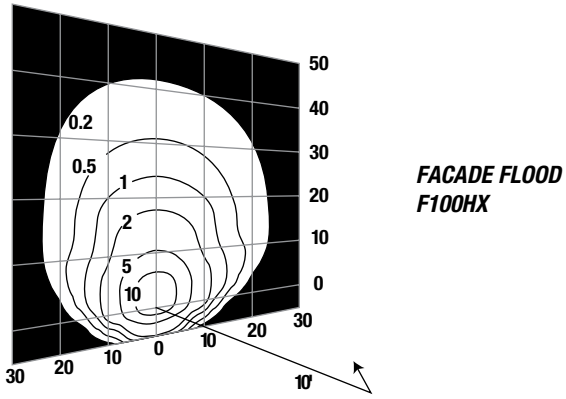


S-329-B



1031-1

**PHOTOMETRICS** For additional photometric information and IES downloads, visit our web site at [www.hubbell-ltg.com](http://www.hubbell-ltg.com)



### **PHOTOMETRIC REPORTS**

| Catalog Number | Report #    |
|----------------|-------------|
| F100H1         | HP07474.IES |
| F150S1         | HP07475.IES |

Due to our continued efforts to improve our products, product specifications are subject to change without notice.



**Outdoor Lighting**

Hubbell Outdoor Lighting • 701 Millennium Boulevard • Greenville, SC 29607 • PHONE: 864-678-1000  
For more information visit our web site: [www.hubbelloutdoor.com](http://www.hubbelloutdoor.com)

# FACADE FLOOD SERIES

|        |      |           |
|--------|------|-----------|
| Cat. # |      | Approvals |
| Job    | Type |           |

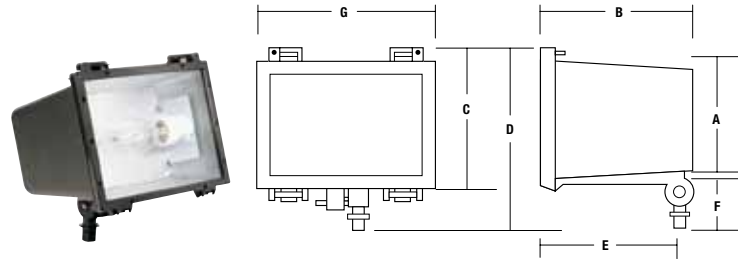


## APPLICATIONS

- Building facades, landscape lighting, sign lighting, display, as well as general safety and security lighting

## SPECIFICATIONS

- Durable die cast aluminum housing construction
- Polycarbonate door frame retains tempered glass and has twin tool-free latches for easy servicing. Gasketing provides weather-tight seal to housing
- Rugged 1/2" threaded knuckle mounting (1/2-10 NPSM)
- Wide uniform beam designed for close set backs. Lamp included
- HPS – reactor NPF ballastry 120V  
Metal halide – HX-HPF -20°F starting  
Compact fluorescent – electronic ballast 50/60 Hz 120-277V
- Bronze powder paint finish



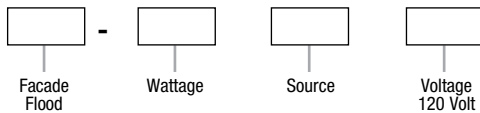
| A                                | B                               | C                                | D                                | E                                | F     | G      |
|----------------------------------|---------------------------------|----------------------------------|----------------------------------|----------------------------------|-------|--------|
| 4 <sup>9</sup> / <sub>16</sub> " | 6 <sup>7</sup> / <sub>8</sub> " | 7 <sup>7</sup> / <sub>16</sub> " | 8 <sup>1</sup> / <sub>16</sub> " | 6 <sup>1</sup> / <sub>16</sub> " | 2"    | 9"     |
| 116 mm                           | 175 mm                          | 189 mm                           | 205 mm                           | 154 mm                           | 51 mm | 229 mm |

## LISTINGS

- Listed to UL1598 for use in wet locations

## ORDERING INFORMATION

ORDERING EXAMPLE: F-100H1



| Catalog Number                  | Lamp Type/Wattage | NEMA Beam Type1 H° x V° | Voltage   | Weight lbs. (kg) | EPA ft² (m²) | Ballast Type |
|---------------------------------|-------------------|-------------------------|-----------|------------------|--------------|--------------|
| <b>High Pressure Sodium</b>     |                   |                         |           |                  |              |              |
| F-070S1                         | 70                | 6H x 7V                 | 120       | 7 (3.2)          | .6 (0.1)     | RX           |
| F-150S1                         | 150               | 6(127°) x 7(146°)       | 120       | 8 (3.6)          | .6 (0.1)     | RX           |
| <b>Pulse Start Metal Halide</b> |                   |                         |           |                  |              |              |
| F-050H1                         | 50                | 6H x 7V                 | 120       | 8 (3.6)          | .6 (0.1)     | CWA          |
| F-070H1                         | 70                | 6H x 7V                 | Quad-Tap® | 9 (4.1)          | .6 (0.1)     | CWA          |
| F-100H1                         | 100               | 6(128°) x 7(146°)       | Quad-Tap® | 10 (4.5)         | .6 (0.1)     | CWA          |
| <b>Compact Fluorescent</b>      |                   |                         |           |                  |              |              |
| F-042F8†                        | 42                | 6H x 7V                 | Quad-Tap® | 5 (2.3)          | .6 (0.1)     | ELECTRONIC   |

Note: All HPS units are NPF; Pulse Start Metal Halide units are all HPF  
 Note: Medium base lamps included  
 † CFL lamp is 3500K

## ACCESSORIES - Order Separately

| Catalog Number | Description   |
|----------------|---|
| PBT-1          | Photocontrol, button type, 120V   |
| NMBC           | Non-metallic, high-impact phenolic weatherproof box and cover; Box is drilled at 180° for two burial cable connectors which are included allowing feed-through capability; gasketed cover has weathertight 1/2" hub; Brass cover screws |
| S-302-M51      | Pole-top slipfitter for 1/2" knuckle, slipfits 2 3/8" OD pipe, bronze finish  |
| S-329-B        | Cast round box with (4) 1/2" side hubs and (1) 1/2" back hub - cover included with 1/2" hub for fixture knuckle; natural aluminum finish  |
| 1031-3         | Spike with splice box and 6 ft. cordset, portable; gray finish  |

## REPLACEMENT PARTS

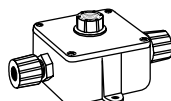
| Catalog Number   | Description         |
|------------------|---------------------|
| FL214-FRAMEGLASS | Lens door assembly  |
| FL214-GASKET     | Door gasket         |
| FL214-KNUCKLE    | Bronze 1/2" knuckle |



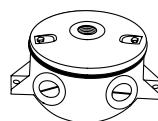
S-302-M51



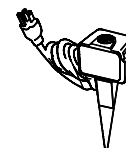
PBT-1



NMBC

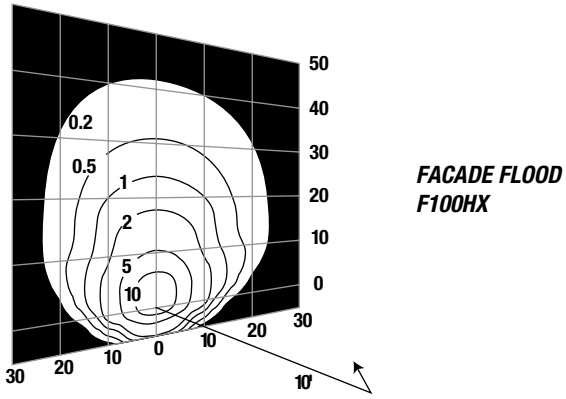


S-329-B



1031-1

**PHOTOMETRICS** For additional photometric information and IES downloads, visit our web site at [www.hubbell-ltg.com](http://www.hubbell-ltg.com)



### **PHOTOMETRIC REPORTS**

| Catalog Number | Report #    |
|----------------|-------------|
| F100H1         | HP07474.IES |
| F150S1         | HP07475.IES |

Due to our continued efforts to improve our products, product specifications are subject to change without notice.



**Outdoor Lighting**

Hubbell Outdoor Lighting • 701 Millennium Boulevard • Greenville, SC 29607 • PHONE: 864-678-1000  
For more information visit our web site: [www.hubbelloutdoor.com](http://www.hubbelloutdoor.com)