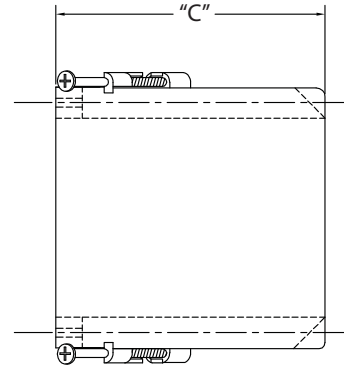
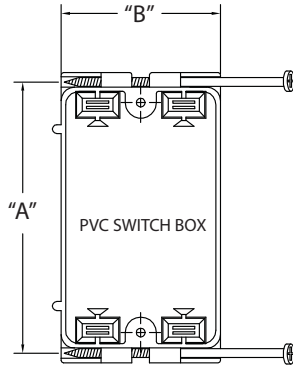


## EZ BOX® Single Gang Nail On Residential Box



Four knockouts

Enhanced angled nails for quick mounting between studs.

### 16 Cubic Inch

| Part Number | Carton Quantity | "A"   | "B"   | "C"   |
|-------------|-----------------|-------|-------|-------|
| EZ16SNW     | 100             | 3.813 | 2.250 | 2.500 |

Dimensions are nominal

### 20.3 Cubic Inch

| Part Number | Carton Quantity | "A"   | "B"   | "C"   |
|-------------|-----------------|-------|-------|-------|
| EZ20SNW     | 100             | 3.875 | 2.250 | 3.125 |

Dimensions are nominal

### 18 Cubic Inch

| Part Number | Carton Quantity | "A"   | "B"   | "C"   |
|-------------|-----------------|-------|-------|-------|
| EZ18SNW     | 100             | 3.875 | 2.250 | 2.875 |

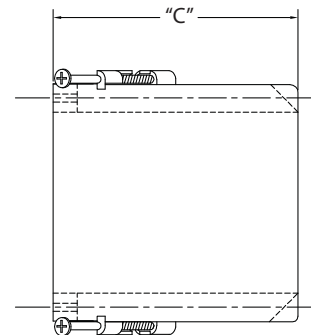
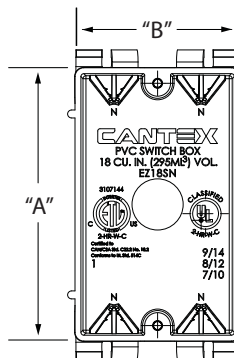
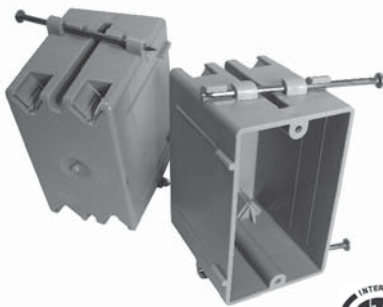
Dimensions are nominal

### 23 Cubic Inch

| Part Number | Carton Quantity | "A"   | "B"   | "C"   |
|-------------|-----------------|-------|-------|-------|
| EZ23SNW     | 100             | 3.875 | 2.259 | 3.500 |

Dimensions are nominal

## EZ BOX® Single Gang Nail On Residential Box



Four clamps

Enhanced angled nails for quick mounting between studs.

### 18 Cubic Inch

| Part Number | Carton Quantity | "A"   | "B"   | "C"   |
|-------------|-----------------|-------|-------|-------|
| EZ18SN      | 100             | 3.700 | 2.250 | 2.840 |
| EZ18SNV     | 25              | 3.700 | 2.250 | 2.840 |

Dimensions are nominal

### 20.3 Cubic Inch

| Part Number | Carton Quantity | "A"   | "B"   | "C"   |
|-------------|-----------------|-------|-------|-------|
| EZ20SN      | 100             | 3.700 | 2.250 | 3.130 |
| EZ20SNV     | 25              | 3.700 | 2.250 | 3.130 |

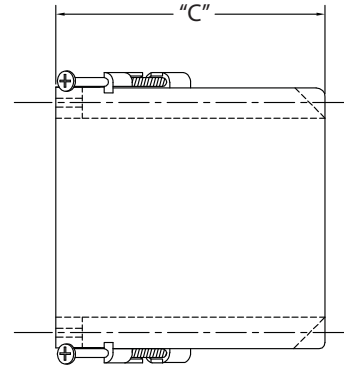
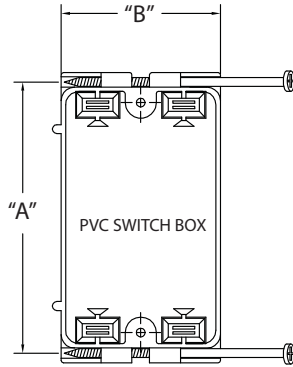
Dimensions are nominal

### 23 Cubic Inch

| Part Number | Carton Quantity | "A"   | "B"   | "C"   |
|-------------|-----------------|-------|-------|-------|
| EZ23SN      | 100             | 3.700 | 2.250 | 3.600 |
| EZ23SNV     | 25              | 3.700 | 2.250 | 3.600 |

Dimensions are nominal

## EZ BOX® Single Gang Nail On Residential Box



Four knockouts

Enhanced angled nails for quick mounting between studs.

### 16 Cubic Inch

| Part Number | Carton Quantity | "A"   | "B"   | "C"   |
|-------------|-----------------|-------|-------|-------|
| EZ16SNW     | 100             | 3.813 | 2.250 | 2.500 |

Dimensions are nominal

### 20.3 Cubic Inch

| Part Number | Carton Quantity | "A"   | "B"   | "C"   |
|-------------|-----------------|-------|-------|-------|
| EZ20SNW     | 100             | 3.875 | 2.250 | 3.125 |

Dimensions are nominal

### 18 Cubic Inch

| Part Number | Carton Quantity | "A"   | "B"   | "C"   |
|-------------|-----------------|-------|-------|-------|
| EZ18SNW     | 100             | 3.875 | 2.250 | 2.875 |

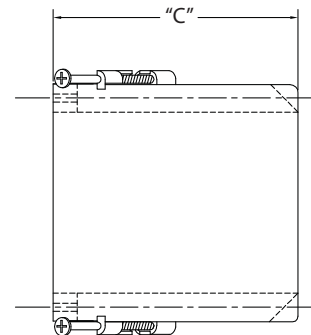
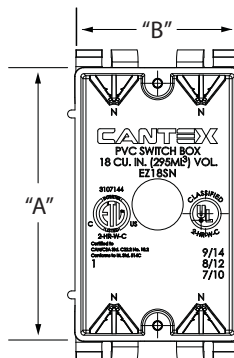
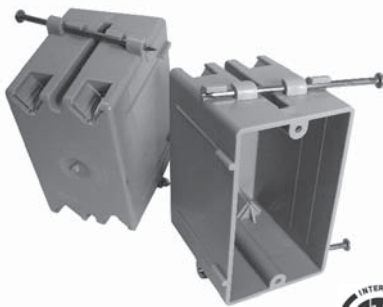
Dimensions are nominal

### 23 Cubic Inch

| Part Number | Carton Quantity | "A"   | "B"   | "C"   |
|-------------|-----------------|-------|-------|-------|
| EZ23SNW     | 100             | 3.875 | 2.259 | 3.500 |

Dimensions are nominal

## EZ BOX® Single Gang Nail On Residential Box



Four clamps

Enhanced angled nails for quick mounting between studs.

### 18 Cubic Inch

| Part Number | Carton Quantity | "A"   | "B"   | "C"   |
|-------------|-----------------|-------|-------|-------|
| EZ18SN      | 100             | 3.700 | 2.250 | 2.840 |
| EZ18SNV     | 25              | 3.700 | 2.250 | 2.840 |

Dimensions are nominal

### 20.3 Cubic Inch

| Part Number | Carton Quantity | "A"   | "B"   | "C"   |
|-------------|-----------------|-------|-------|-------|
| EZ20SN      | 100             | 3.700 | 2.250 | 3.130 |
| EZ20SNV     | 25              | 3.700 | 2.250 | 3.130 |

Dimensions are nominal

### 23 Cubic Inch

| Part Number | Carton Quantity | "A"   | "B"   | "C"   |
|-------------|-----------------|-------|-------|-------|
| EZ23SN      | 100             | 3.700 | 2.250 | 3.600 |
| EZ23SNV     | 25              | 3.700 | 2.250 | 3.600 |

Dimensions are nominal