

4

3

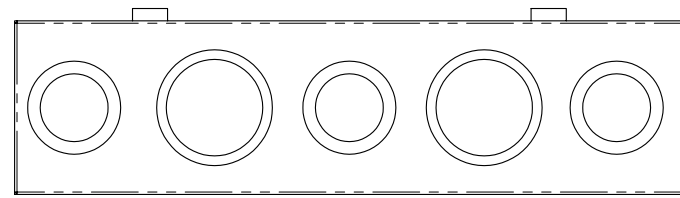
2

1

NOTES:

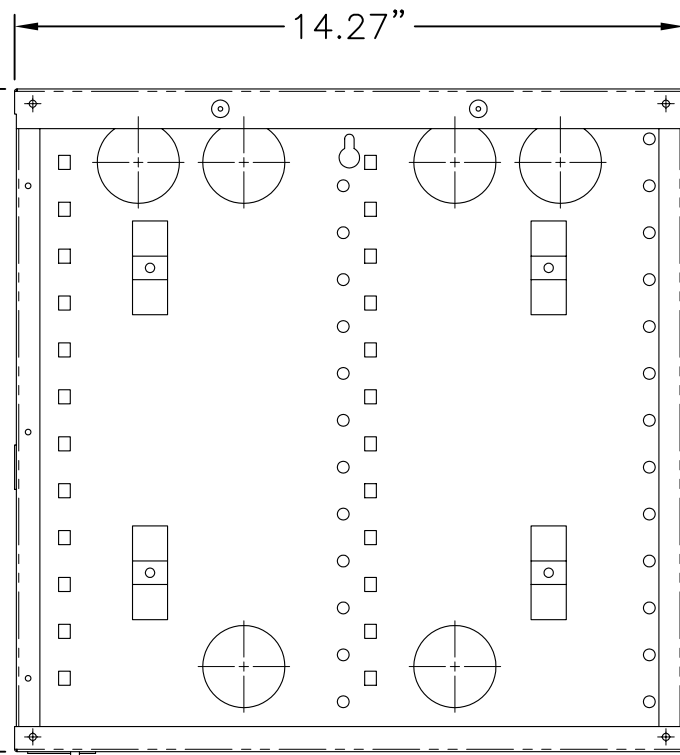
- 1. UL CATEGORIES: UL985, UL1863
- 2. COATING: POWDER
- 3. STEEL GAUGE: 20
- 4. INSTRUCTION SHEET INCLUDED
- 5. CABLE GUARD INSERT INCLUDED

B

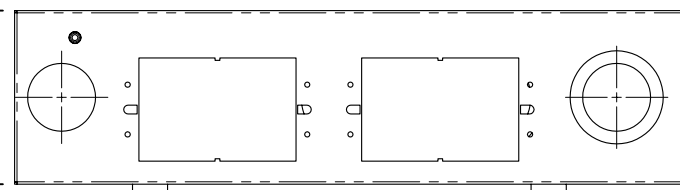


14.27"

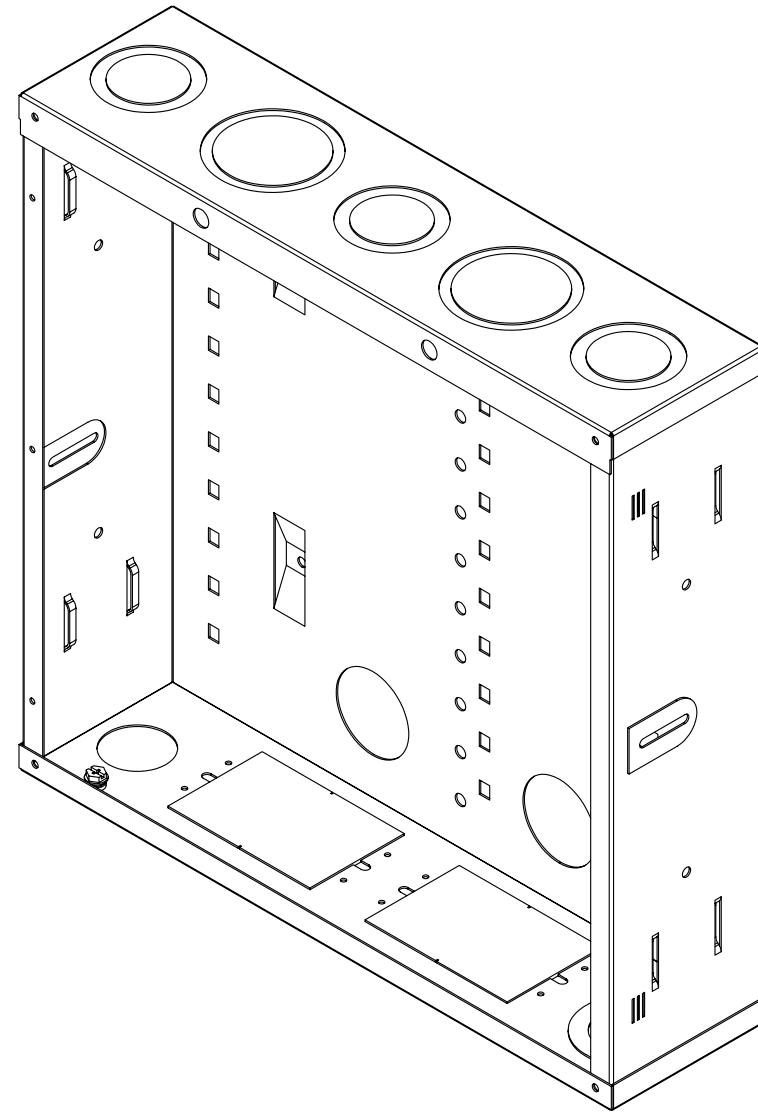
14.13"



3.70"





A



B

A

PROPRIETARY AND CONFIDENTIAL THE INFORMATION CONTAINED IN THIS DRAWING IS THE SOLE PROPERTY OF On-Q/LEGRAND. ANY REPRODUCTION IN PART OR AS A WHOLE WITHOUT THE WRITTEN PERMISSION OF On-Q/LEGRAND IS PROHIBITED. DRAWING IS SUBJECT TO CHANGE WITHOUT NOTICE.		  P.O. Box 60907 Harrisburg, PA 17106-0907 1-800-321-2343		TITLE: 14IN ENCLOSURE W/ KNOCK-OUTS NO COVER			
				SIZE B	DWG NO EN1485	FILE NAME CD-EN1485	CUST REV 1
				REVISED DATE 4/28/08	SCALE NONE	SHEET 1 OF 1	

4

3

2

1

4

3

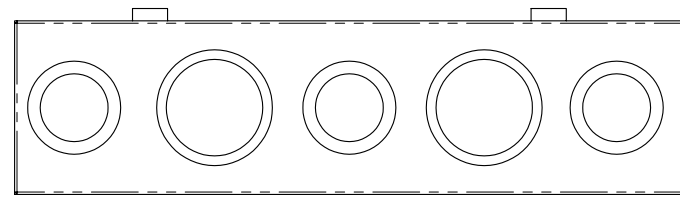
2

1

NOTES:

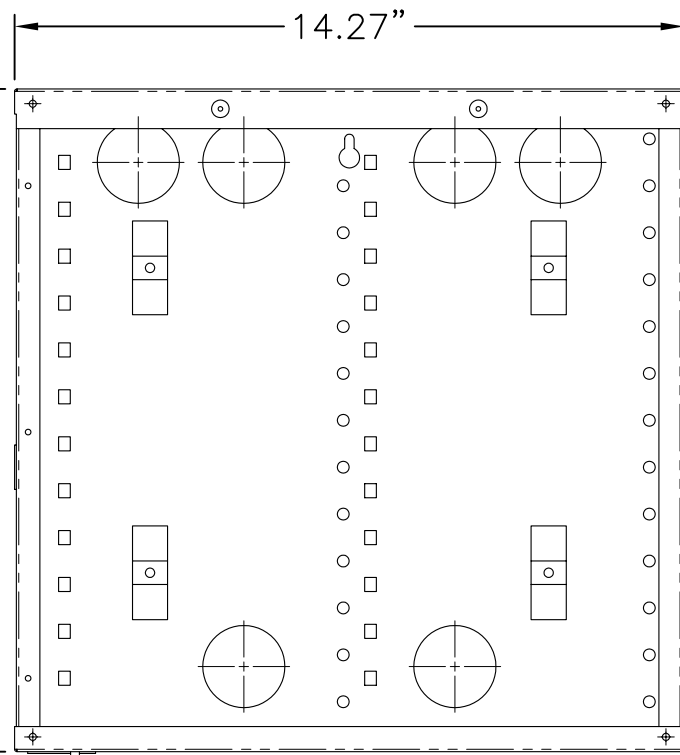
- 1. UL CATEGORIES: UL985, UL1863
- 2. COATING: POWDER
- 3. STEEL GAUGE: 20
- 4. INSTRUCTION SHEET INCLUDED
- 5. CABLE GUARD INSERT INCLUDED

B

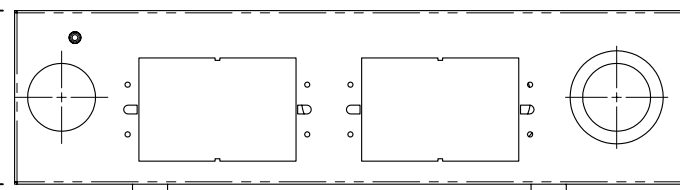


14.27"

14.13"

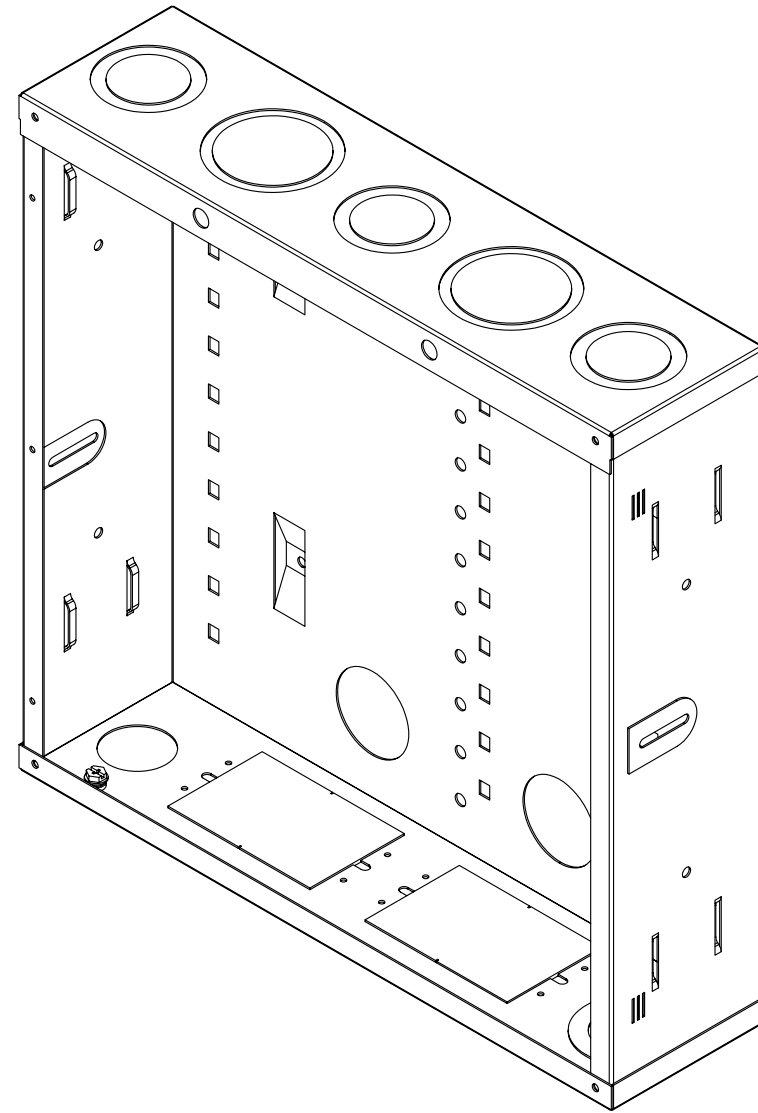


3.70"



A

B



A

PROPRIETARY AND CONFIDENTIAL
 THE INFORMATION CONTAINED
 IN THIS DRAWING IS THE SOLE
 PROPERTY OF On-Q/LEGRAND.
 ANY REPRODUCTION IN PART OR
 AS A WHOLE WITHOUT THE WRITTEN
 PERMISSION OF On-Q/LEGRAND
 IS PROHIBITED. DRAWING IS SUBJECT
 TO CHANGE WITHOUT NOTICE.

on·q

legrand

P.O. Box 60907
 Harrisburg, PA 17106-0907
 1-800-321-2343

TITLE:
**14IN ENCLOSURE W/ KNOCK-OUTS
 NO COVER**

SIZE B	DWG NO EN1485	FILE NAME CD-EN1485	CUST REV 1
REVISED DATE 4/28/08	SCALE NONE	SHEET 1 OF 1	

4

3

2

1