



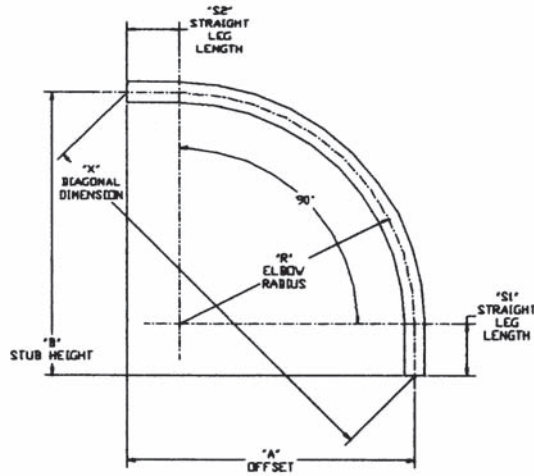
EMT STANDARD AND SPECIAL RADIUS ELBOWS

EMT STANDARD RADIUS ELBOWS

CATALOG NUMBER	DESCRIPTION	WEIGHT PER 100 PIECES (lbs)	STANDARD CARTON
EMTELB1/2X90	1/2X90 EMT ELBOW	28	50
EMTELB3/4X90	3/4X90 EMT ELBOW	46	50
EMTELB1X90	1X 90 EMT ELBOW	86	25
EMTELB1-1/4X90	1 1/4X90 EMT ELBOW	148	25
EMTELB1-1/2X90	1 1/2X90 EMT ELBOW	198	15
EMTELB2X90	2X90 EMT ELBOW	286	10
EMTELB2-1/2X90	2 1/2X90 EMT ELBOW	536	BLK
EMTELB3X90	3X90 EMT ELBOW	720	BLK
EMTELB3-1/2X90	3 1/2X90 EMT ELBOW	1080	BLK
EMTELB4X90	4X90 EMT ELBOW	1333	BLK
EMTELB1/2X45	1/2X45 EMT ELBOW	24	50
EMTELB3/4X45	3/4X45 EMT ELBOW	39	50
EMTELB1X45	1X 45 EMT ELBOW	73	25
EMTELB1-1/4X45	1 1/4X45 EMT ELBOW	126	25
EMTELB1-1/2X45	1 1/2X45 EMT ELBOW	168	15
EMTELB2X45	2X45 EMT ELBOW	243	10
EMTELB2-1/2X45	2 1/2X45 EMT ELBOW	456	BLK
EMTELB3X45	3X45 EMT ELBOW	612	BLK
EMTELB3-1/2X45	3 1/2X45 EMT ELBOW	918	BLK
EMTELB4X45	4X45 EMT ELBOW	1133	BLK

NOTE: Weights shown are approximate for 90° elbows. To arrive at weights for 45° elbows deduct 15%.
 Sizes 2-1/2 " and larger shipped in palletized cartons or bulk, with ECN-Korns identifying label.

EMT STANDARD RADIUS ELBOWS



STANDARD RADIUS ELBOWS • EMT

Radius (in.)	4	4 1/2	5 3/4	7 1/4	8 1/4	9 1/2	10 1/2	13	15	16	
Degree	Size	1/2	3/4	1	1 1/4	1 1/2	2	2 1/2	3	3 1/2	4
11 1/4	Leg Length	2	2	2	2 3/4	3	4 1/4	5 1/4	5 7/8	6 3/4	7
	Unbent Length	4 13/16	4 7/8	5 1/8	6 7/8	8 1/4	10 3/8	12 9/16	14 3/16	16 3/8	17
	Diagonal	4 3/4	4 7/8	5 1/8	6 7/8	8 1/4	10 3/8	12 1/2	14 1/4	16 1/4	16 15/16
	"A" Offset	1/2	1/2	1/2	11/16	3/4	1	1 1/4	1 3/8	1 1/2	1 3/4
	"B" Stub Height	4 3/4	4 13/16	5	6 7/8	8 3/16	10 1/2	12 1/2	14 1/16	16 1/4	17
15	Leg Length	2	2	2	2 3/4	3 1/4	4 5/16	5 1/4	5 7/8	6 3/4	7
	Unbent Length	5 1/16	5 3/16	5 1/2	7 1/4	8 5/8	11 1/16	13 11/32	15 1/8	17 15/32	18 5/32
	Diagonal	5	5 1/8	5	7 1/4	8 5/8	11	13 1/4	15	17 5/16	18
	"A" Offset	5/8	11/16	11/16	1	1 1/8	1 1/2	1 3/4	2	2 1/4	2 3/8
	"B" Stub Height	5	5 1/8	5 3/8	7 1/8	8 1/2	10 7/8	13 1/8	15	17 1/4	17 7/8
22 1/2	Leg Length	2	2 1/16	2	2 3/4	3	4 1/4	5 1/4	5 7/8	6 3/4	7
	Unbent Length	5 21/32	5 27/32	6 11/32	8 5/16	9 27/32	12 5/16	14 23/32	16 13/16	19 13/32	20 1/4
	Diagonal	6	5 3/4	6 1/4	8 1/4	9 3/4	12 1/8	14 1/2	16 1/2	19 1/8	19 15/16
	"A" Offset	1 1/8	1	1	1 5/8	2	2 3/8	2 3/4	3 1/4	3 1/2	4
	"B" Stub Height	5 7/16	5 5/8	6	8	9 1/2	11 7/8	14 1/4	16 1/4	18 1/2	19 9/16
30	Leg Length	2	2	2	2 3/4	3 5/16	4 1/4	5 1/4	5 7/8	6 3/4	7
	Unbent Length	6 3/16	6 7/16	7 1/8	9 1/4	10 29/32	13 9/16	16 3/32	18 1/2	21 3/8	22 11/32
	Diagonal	6	6 1/4	7	9	10 5/8	13 1/4	15 5/8	18	20 13/16	21 3/4
	"A" Offset	1 1/2	1 5/8	1 3/4	2 3/8	2 3/4	3 1/2	4	4 11/16	5 3/8	5 3/4
	"B" Stub Height	5 7/8	6	7	8 3/4	10 1/4	12 3/4	15 1/8	17 7/16	20 1/8	21
45	Leg Length	2 1/16	2	2	2 5/8	3 1/2	4 1/4	5 1/8	5 7/8	6 3/4	7 1/4
	Unbent Length	7 1/4	7 1/2	8 1/2	11	13	16	18 1/2	22	25 1/4	27
	Diagonal	6 7/8	7 1/8	8 1/8	10 1/2	12 5/16	15 1/8	17 1/2	20 7/8	24	25 5/8
	"A" Offset	2 1/2	2 3/4	3	4	4 3/4	5 3/4	6 3/4	8	9 1/4	9 13/16
	"B" Stub Height	6 1/2	6 5/8	7 1/2	9 1/2	11 3/8	14	16 3/16	19 1/4	22 1/8	23 5/8
60	Leg Length	2	2	2	2 3/4	3	4 1/4	5 1/4	5 7/8	6 3/4	7
	Unbent Length	8 3/16	8 3/4	10	13	15 1/8	18 7/16	21 19/32	25 5/16	29 7/32	30 23/32
	Diagonal	7 1/2	8	9	12	13 7/8	16 7/8	19 5/8	23 1/4	26 3/4	28
	"A" Offset	3 3/4	4	4 1/2	6	7	8 7/16	9 13/16	11 5/8	13 3/8	14
	"B" Stub Height	6 7/16	6 15/16	8	10 3/8	12	14 5/8	17 1/16	20	23 1/8	24 5/16
90	Leg Length	2	2	2	2 3/4	3 1/4	4 5/16	5 1/4	5 13/16	6 3/4	6 15/16
	Unbent Length	10 5/16	11 1/16	13	16 3/4	19 1/2	23 1/2	27	32	37	39
	Diagonal	8 1/2	9	11	14	16 5/16	19 1/2	22 1/4	26 5/8	30 3/4	32 7/16
	"A" Offset	6	6 1/2	7 3/4	10	11 1/2	13 13/16	15 3/4	18 13/16	21 3/4	22 15/16
	"B" Stub Height	6	6 1/2	7 3/4	10	11 1/2	13 13/16	15 3/4	18 13/16	21 3/4	22 15/16



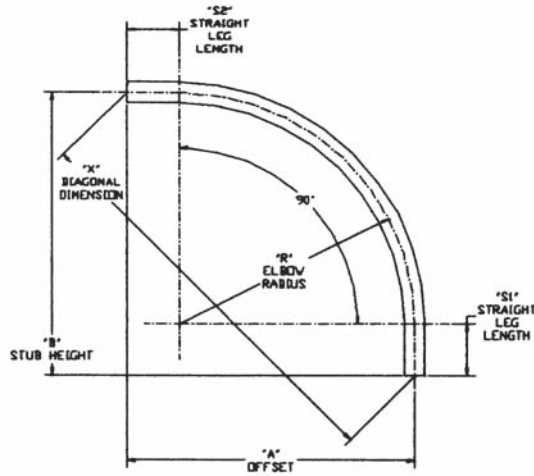
EMT STANDARD AND SPECIAL RADIUS ELBOWS

EMT STANDARD RADIUS ELBOWS

CATALOG NUMBER	DESCRIPTION	WEIGHT PER 100 PIECES (lbs)	STANDARD CARTON
EMTELB1/2X90	1/2X90 EMT ELBOW	28	50
EMTELB3/4X90	3/4X90 EMT ELBOW	46	50
EMTELB1X90	1X 90 EMT ELBOW	86	25
EMTELB1-1/4X90	1 1/4X90 EMT ELBOW	148	25
EMTELB1-1/2X90	1 1/2X90 EMT ELBOW	198	15
EMTELB2X90	2X90 EMT ELBOW	286	10
EMTELB2-1/2X90	2 1/2X90 EMT ELBOW	536	BLK
EMTELB3X90	3X90 EMT ELBOW	720	BLK
EMTELB3-1/2X90	3 1/2X90 EMT ELBOW	1080	BLK
EMTELB4X90	4X90 EMT ELBOW	1333	BLK
EMTELB1/2X45	1/2X45 EMT ELBOW	24	50
EMTELB3/4X45	3/4X45 EMT ELBOW	39	50
EMTELB1X45	1X 45 EMT ELBOW	73	25
EMTELB1-1/4X45	1 1/4X45 EMT ELBOW	126	25
EMTELB1-1/2X45	1 1/2X45 EMT ELBOW	168	15
EMTELB2X45	2X45 EMT ELBOW	243	10
EMTELB2-1/2X45	2 1/2X45 EMT ELBOW	456	BLK
EMTELB3X45	3X45 EMT ELBOW	612	BLK
EMTELB3-1/2X45	3 1/2X45 EMT ELBOW	918	BLK
EMTELB4X45	4X45 EMT ELBOW	1133	BLK

NOTE: Weights shown are approximate for 90° elbows. To arrive at weights for 45° elbows deduct 15%.
 Sizes 2-1/2 " and larger shipped in palletized cartons or bulk, with ECN-Korns identifying label.

EMT STANDARD RADIUS ELBOWS



STANDARD RADIUS ELBOWS • EMT

Degree	Radius (in.)	4	4 1/2	5 3/4	7 1/4	8 1/4	9 1/2	10 1/2	13	15	16
	Size	1/2	3/4	1	1 1/4	1 1/2	2	2 1/2	3	3 1/2	4
11 1/4	Leg Length	2	2	2	2 3/4	3	4 1/4	5 1/4	5 7/8	6 3/4	7
	Unbent Length	4 13/16	4 7/8	5 1/8	6 7/8	8 1/4	10 3/8	12 9/16	14 3/16	16 3/8	17
	Diagonal	4 3/4	4 7/8	5 1/8	6 7/8	8 1/4	10 3/8	12 1/2	14 1/4	16 1/4	16 15/16
	"A" Offset	1/2	1/2	1/2	11/16	3/4	1	1 1/4	1 3/8	1 1/2	1 3/4
	"B" Stub Height	4 3/4	4 13/16	5	6 7/8	8 3/16	10 1/2	12 1/2	14 1/16	16 1/4	17
15	Leg Length	2	2	2	2 3/4	3 1/4	4 5/16	5 1/4	5 7/8	6 3/4	7
	Unbent Length	5 1/16	5 3/16	5 1/2	7 1/4	8 5/8	11 1/16	13 11/32	15 1/8	17 15/32	18 5/32
	Diagonal	5	5 1/8	5	7 1/4	8 5/8	11	13 1/4	15	17 5/16	18
	"A" Offset	5/8	11/16	11/16	1	1 1/8	1 1/2	1 3/4	2	2 1/4	2 3/8
	"B" Stub Height	5	5 1/8	5 3/8	7 1/8	8 1/2	10 7/8	13 1/8	15	17 1/4	17 7/8
22 1/2	Leg Length	2	2 1/16	2	2 3/4	3	4 1/4	5 1/4	5 7/8	6 3/4	7
	Unbent Length	5 21/32	5 27/32	6 11/32	8 5/16	9 27/32	12 5/16	14 23/32	16 13/16	19 13/32	20 1/4
	Diagonal	6	5 3/4	6 1/4	8 1/4	9 3/4	12 1/8	14 1/2	16 1/2	19 1/8	19 15/16
	"A" Offset	1 1/8	1	1	1 5/8	2	2 3/8	2 3/4	3 1/4	3 1/2	4
	"B" Stub Height	5 7/16	5 5/8	6	8	9 1/2	11 7/8	14 1/4	16 1/4	18 1/2	19 9/16
30	Leg Length	2	2	2	2 3/4	3 5/16	4 1/4	5 1/4	5 7/8	6 3/4	7
	Unbent Length	6 3/16	6 7/16	7 1/8	9 1/4	10 29/32	13 9/16	16 3/32	18 1/2	21 3/8	22 11/32
	Diagonal	6	6 1/4	7	9	10 5/8	13 1/4	15 5/8	18	20 13/16	21 3/4
	"A" Offset	1 1/2	1 5/8	1 3/4	2 3/8	2 3/4	3 1/2	4	4 11/16	5 3/8	5 3/4
	"B" Stub Height	5 7/8	6	7	8 3/4	10 1/4	12 3/4	15 1/8	17 7/16	20 1/8	21
45	Leg Length	2 1/16	2	2	2 5/8	3 1/2	4 1/4	5 1/8	5 7/8	6 3/4	7 1/4
	Unbent Length	7 1/4	7 1/2	8 1/2	11	13	16	18 1/2	22	25 1/4	27
	Diagonal	6 7/8	7 1/8	8 1/8	10 1/2	12 5/16	15 1/8	17 1/2	20 7/8	24	25 5/8
	"A" Offset	2 1/2	2 3/4	3	4	4 3/4	5 3/4	6 3/4	8	9 1/4	9 13/16
	"B" Stub Height	6 1/2	6 5/8	7 1/2	9 1/2	11 3/8	14	16 3/16	19 1/4	22 1/8	23 5/8
60	Leg Length	2	2	2	2 3/4	3	4 1/4	5 1/4	5 7/8	6 3/4	7
	Unbent Length	8 3/16	8 3/4	10	13	15 1/8	18 7/16	21 19/32	25 5/16	29 7/32	30 23/32
	Diagonal	7 1/2	8	9	12	13 7/8	16 7/8	19 5/8	23 1/4	26 3/4	28
	"A" Offset	3 3/4	4	4 1/2	6	7	8 7/16	9 13/16	11 5/8	13 3/8	14
	"B" Stub Height	6 7/16	6 15/16	8	10 3/8	12	14 5/8	17 1/16	20	23 1/8	24 5/16
90	Leg Length	2	2	2	2 3/4	3 1/4	4 5/16	5 1/4	5 13/16	6 3/4	6 15/16
	Unbent Length	10 5/16	11 1/16	13	16 3/4	19 1/2	23 1/2	27	32	37	39
	Diagonal	8 1/2	9	11	14	16 5/16	19 1/2	22 1/4	26 5/8	30 3/4	32 7/16
	"A" Offset	6	6 1/2	7 3/4	10	11 1/2	13 13/16	15 3/4	18 13/16	21 3/4	22 15/16
	"B" Stub Height	6	6 1/2	7 3/4	10	11 1/2	13 13/16	15 3/4	18 13/16	21 3/4	22 15/16