

DESCRIPTION

The EI700 housing is designed for use in insulated ceilings where the housing will be in direct contact with insulation material.

| | |
|-------------|------|
| Catalog # | Type |
| Project | |
| Comments | |
| Prepared by | Date |

DESIGN FEATURES

A---Housing

Aluminum construction for greater heat dissipation.

B---Socket Plate

Rigid socket plate adjusts and locks without tools for various lamp sizes.

C---Plaster Frame

Housing adjusts in plaster frame to accommodate up to 2" thick ceilings. Plaster frame includes locking screws for hanger bars and cutouts for crimping hanger bars in position

D---Junction Box

U.L. listed for through branch circuit wiring. Positioned to accommodate straight conduit runs. Seven conduit knockouts are uniform 1/2" size with true pryout slots. Four pryouts with integral strain relief simplify non-metallic sheathed cable installation.

E---Bar Hangers

Pre-installed, captive bar hangers allow housing to be positioned at any point within a 24" joist span. Score lines provided for easy field shortening for 12" joists. Unique arrowhead design provides "nailess" installation. Bar hangers can be repositioned 90° without tools on plaster frame. Bar hangers can be locked in position with lock down screw and/or crimping tabs.

F---Socket

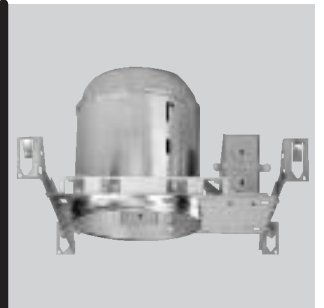
Porcelain socket with nickel plated brass screw shell and center contact snaps into trim for consistent lamp positioning.

G---Thermal Protector

Self resetting thermal protector deactivates fixture if overheating occurs due to improper lamping.

Labels

- UL Listed for Damp Location
 - UL listed for Feed Through
 - UL listed for Direct Contact with Insulation and combustible material
 - CSA Certified
- Meets following requirements:
- State of California Title 24
 - Washington State Energy Code
 - International Energy Conservation Code (IECC)
 - New York State Energy Conservation Construction Code (NY-ECCC)
 - Model Energy Code (MEC)
 - Certified Under ASTM-E283



EI700AT

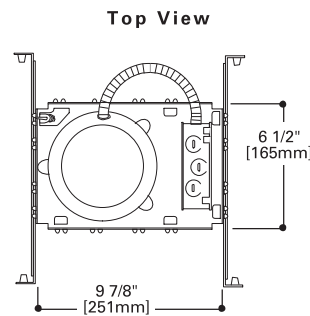
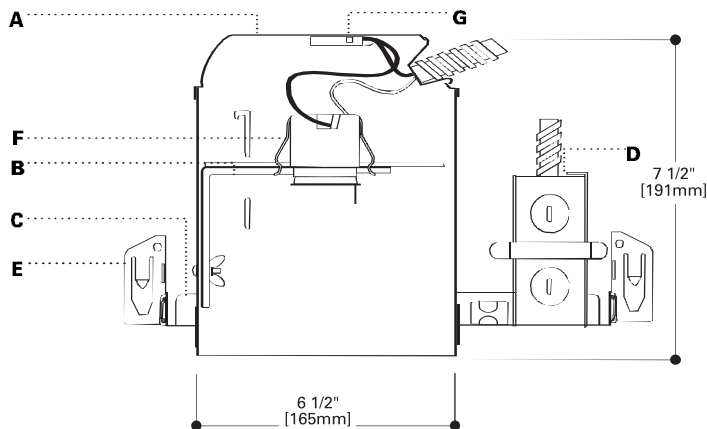
6" Insulated Ceiling Recessed Housing

6" TRIMS

FOR USE IN INSULATED CEILINGS

FOR DIRECT CONTACT WITH INSULATION

AIR-TITE™ HOUSING PREVENTS AIRFLOW BETWEEN ATTIC AND LIVING AREAS



Ordering information on reverse

TRIMS

ORDERING INFORMATION

SAMPLE NUMBER: E1700-ERT710

Order housing, trim and accessories separately.

Housing

Trims

E1700AT=
Insulated
Ceiling
AIR-TITE
Housing

REFLECTORS



ERT710

Cone Reflector**75W R30, 65W BR30, 50W PAR30, 75W PAR30L**ERT710=Specular Clear Reflector,
High Gloss Appliance White Trim Ring
ERT710G=Gold Reflector, White Trim
Ring
OD: 8" (203mm)

ERT712

White Cone Reflector**75W PAR30, 75W PAR30L, 75W R30, 65W BR30,
40W A19, 90W BR40**ERT712=White Reflector Cone, High Gloss Appliance
White
Makes the E1700 Housing AIR-TITE

OD: 7 1/4" (184mm)

BAFFLES



ERT707

Metal Baffle**75W R30, 65W BR30, 50W PAR30, 75W PAR30L**ERT707=Black Baffle, High Gloss Appliance White
Trim RingERT707WHT=White Baffle, High Gloss Appliance
White

OD: 8" (203mm)



ERT713

Full Cone Metal Baffle**75W PAR30, 75W PAR30L, 75W R30, 65W BR30, 40W
A19, 90W BR40**ERT713=Black Metal Baffle, High Gloss Appliance
White Trim Ring
Makes the E1700 Housing AIR-TITEERT713WHT=White Metal Baffle,
High Gloss Appliance White
Makes the E1700 Housing AIR-TITEERT713TS=Black Metal Baffle, High Gloss Appliance
White Trim Ring
Torsion Spring Design
Makes the E1700 Housing AIR-TITEERT713WHTTS=White Metal Baffle,
High Gloss Appliance White
Torsion Spring Design
Makes the E1700 Housing AIR-TITE

OD: 7 1/4" (184mm)



ERT713L

**Full Cone Metal Baffle - Taller height than ERT713
for deeper BR40 lamp regression****65W BR30, 75W BR40, 75W PAR30L**ERT713L=Black Metal Baffle, High Gloss Appliance
White Trim RingERT713LTS=Black Metal Baffle, High Gloss
Appliance White Trim Ring
Torsion Spring Design
Makes the E1700 Housing AIR-TITE

OD: 7 1/4" (184mm)



ERT714

Plastic Baffle**65W BR30, 50W PAR30L, 50W PAR30**ERT714=Black Baffle, High Gloss Appliance White
Trim Ring
ERT714WHT=White Baffle, High Gloss Appliance
White

OD: 8" (203mm)

OPEN TRIMS



ERT705

Open**65W BR30, 75W PAR30L**

ERT705=High Gloss Appliance White Open Trim

OD: 7 1/4" (184mm)

ADJUSTABLES



ERT704

Eyeball**65W BR30, 75W R30**

ERT704=High Gloss Appliance White Eyeball

ERT704PB=Polished Brass Eyeball

OD: 8" (203mm)



ERT711

**Regressed Eyeball
50W PAR30**

ERT711=High Gloss Appliance White Eyeball,

Black Baffle, High Gloss Appliance

White Trim Ring

OD: 8" (203mm)

**Shower Light****40W A19**

ERT721=High Gloss Appliance White

OD: 8" (203mm)

Note: Specifications and Dimensions subject to change without notice.

Visit our web site at www.cooperlighting.com

DESCRIPTION

The EI700 housing is designed for use in insulated ceilings where the housing will be in direct contact with insulation material.

| | |
|-------------|------|
| Catalog # | Type |
| Project | |
| Comments | |
| Prepared by | Date |

DESIGN FEATURES

A---Housing

Aluminum construction for greater heat dissipation.

B---Socket Plate

Rigid socket plate adjusts and locks without tools for various lamp sizes.

C---Plaster Frame

Housing adjusts in plaster frame to accommodate up to 2" thick ceilings. Plaster frame includes locking screws for hanger bars and cutouts for crimping hanger bars in position.

D---Junction Box

U.L. listed for through branch circuit wiring. Positioned to accommodate straight conduit runs. Seven conduit knockouts are uniform 1/2" size with true pryout slots. Four pryouts with integral strain relief simplify non-metallic sheathed cable installation.

E---Bar Hangers

Pre-installed, captive bar hangers allow housing to be positioned at any point within a 24" joist span. Score lines provided for easy field shortening for 12" joists. Unique arrowhead design provides "nailess" installation. Bar hangers can be repositioned 90° without tools on plaster frame. Bar hangers can be locked in position with lock down screw and/or crimping tabs.

F---Socket

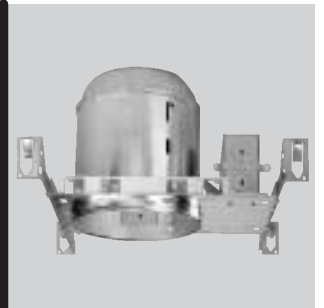
Porcelain socket with nickel plated brass screw shell and center contact snaps into trim for consistent lamp positioning.

G---Thermal Protector

Self resetting thermal protector deactivates fixture if overheating occurs due to improper lamping.

Labels

- UL Listed for Damp Location
 - UL listed for Feed Through
 - UL listed for Direct Contact with Insulation and combustible material
 - CSA Certified
- Meets following requirements:
- State of California Title 24
 - Washington State Energy Code
 - International Energy Conservation Code (IECC)
 - New York State Energy Conservation Construction Code (NY-ECCC)
 - Model Energy Code (MEC)
 - Certified Under ASTM-E283



EI700AT

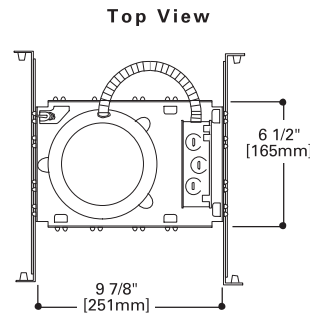
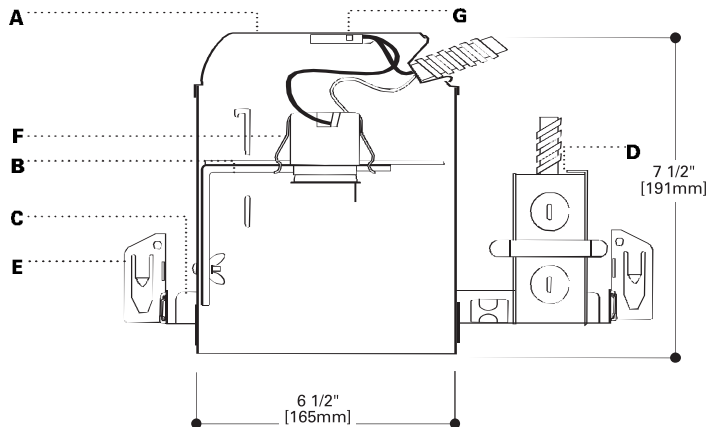
6" Insulated Ceiling Recessed Housing

6" TRIMS

FOR USE IN INSULATED CEILINGS

FOR DIRECT CONTACT WITH INSULATION

AIR-TITE™ HOUSING PREVENTS AIRFLOW BETWEEN ATTIC AND LIVING AREAS



Ordering information on reverse

TRIMS

ORDERING INFORMATION

SAMPLE NUMBER: E1700-ERT710

Order housing, trim and accessories separately.

Housing

Trims

E1700AT=
Insulated
Ceiling
AIR-TITE
Housing

REFLECTORS



ERT710

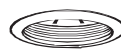
Cone Reflector**75W R30, 65W BR30, 50W PAR30, 75W PAR30L**ERT710=Specular Clear Reflector,
High Gloss Appliance White Trim Ring
ERT710G=Gold Reflector, White Trim
Ring
OD: 8" (203mm)

ERT712

White Cone Reflector**75W PAR30, 75W PAR30L, 75W R30, 65W BR30,
40W A19, 90W BR40**ERT712=White Reflector Cone, High Gloss Appliance
White
Makes the E1700 Housing AIR-TITE

OD: 7 1/4" (184mm)

BAFFLES



ERT707

Metal Baffle**75W R30, 65W BR30, 50W PAR30, 75W PAR30L**ERT707=Black Baffle, High Gloss Appliance White
Trim RingERT707WHT=White Baffle, High Gloss Appliance
White

OD: 8" (203mm)



ERT713

Full Cone Metal Baffle**75W PAR30, 75W PAR30L, 75W R30, 65W BR30, 40W
A19, 90W BR40**ERT713=Black Metal Baffle, High Gloss Appliance
White Trim Ring
Makes the E1700 Housing AIR-TITEERT713WHT=White Metal Baffle,
High Gloss Appliance White
Makes the E1700 Housing AIR-TITEERT713TS=Black Metal Baffle, High Gloss Appliance
White Trim Ring
Torsion Spring Design
Makes the E1700 Housing AIR-TITEERT713WHTTS=White Metal Baffle,
High Gloss Appliance White
Torsion Spring Design
Makes the E1700 Housing AIR-TITE

OD: 7 1/4" (184mm)



ERT713L

**Full Cone Metal Baffle - Taller height than ERT713
for deeper BR40 lamp regression****65W BR30, 75W BR40, 75W PAR30L**ERT713L=Black Metal Baffle, High Gloss Appliance
White Trim RingERT713LTS=Black Metal Baffle, High Gloss
Appliance White Trim Ring
Torsion Spring Design
Makes the E1700 Housing AIR-TITE

OD: 7 1/4" (184mm)



ERT714

Plastic Baffle**65W BR30, 50W PAR30L, 50W PAR30**ERT714=Black Baffle, High Gloss Appliance White
Trim RingERT714WHT=White Baffle, High Gloss Appliance
White

OD: 8" (203mm)

OPEN TRIMS



ERT705

Open**65W BR30, 75W PAR30L**

ERT705=High Gloss Appliance White Open Trim

OD: 7 1/4" (184mm)

ADJUSTABLES



ERT704

Eyeball**65W BR30, 75W R30**

ERT704=High Gloss Appliance White Eyeball

ERT704PB=Polished Brass Eyeball

OD: 8" (203mm)



ERT711

**Regressed Eyeball
50W PAR30**

ERT711=High Gloss Appliance White Eyeball,

Black Baffle, High Gloss Appliance

White Trim Ring

OD: 8" (203mm)

**Shower Light****40W A19**

ERT721=High Gloss Appliance White

OD: 8" (203mm)

Note: Specifications and Dimensions subject to change without notice.

Visit our web site at www.cooperlighting.com