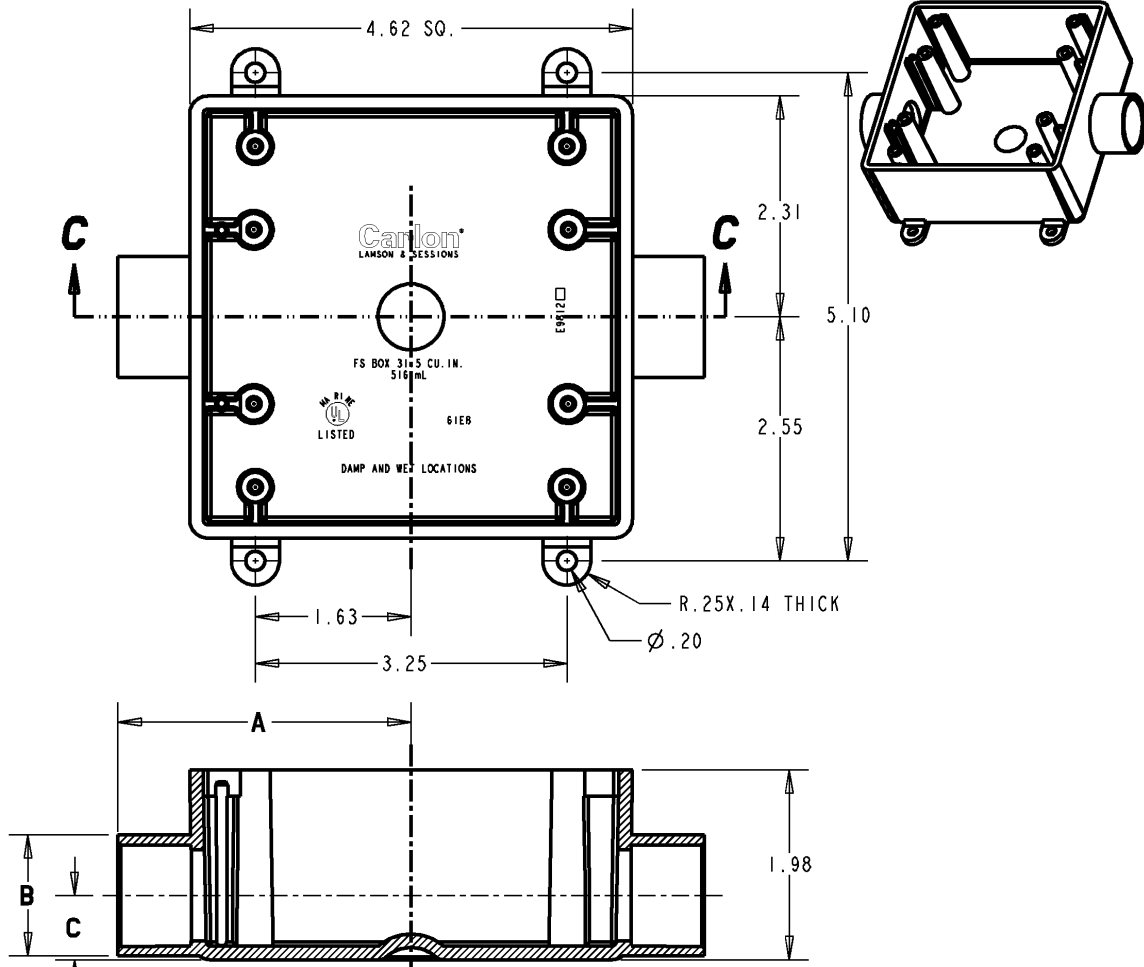


Carlton



SECTION C-C

| | | | | |
|---------------------------------|------------------|----------|----------|----------|
| E9812F E9812F-CTN E9812FL | 1" | 3.22 | 1.535 | .805 |
| E9812E E9812E-CTN E9812EL | 3/4" | 3.06 | 1.265 | .672 |
| E9812D E9812DR E9812DRL | 1/2" | 2.99 | 1.05 | .566 |
| PART NO. | PORT SIZE | A | B | C |

GENERAL NOTES

1. ALL DIMENSIONS ARE FOR REFERENCE ONLY.
2. DIMENSIONS IN BRACKETS [] ARE IN METRIC UNITS.

REVISIONS

** SEE ERN (****) FOR APPROVAL SIGNATURES & RELEASE DATE.
PROJECT NO: ****

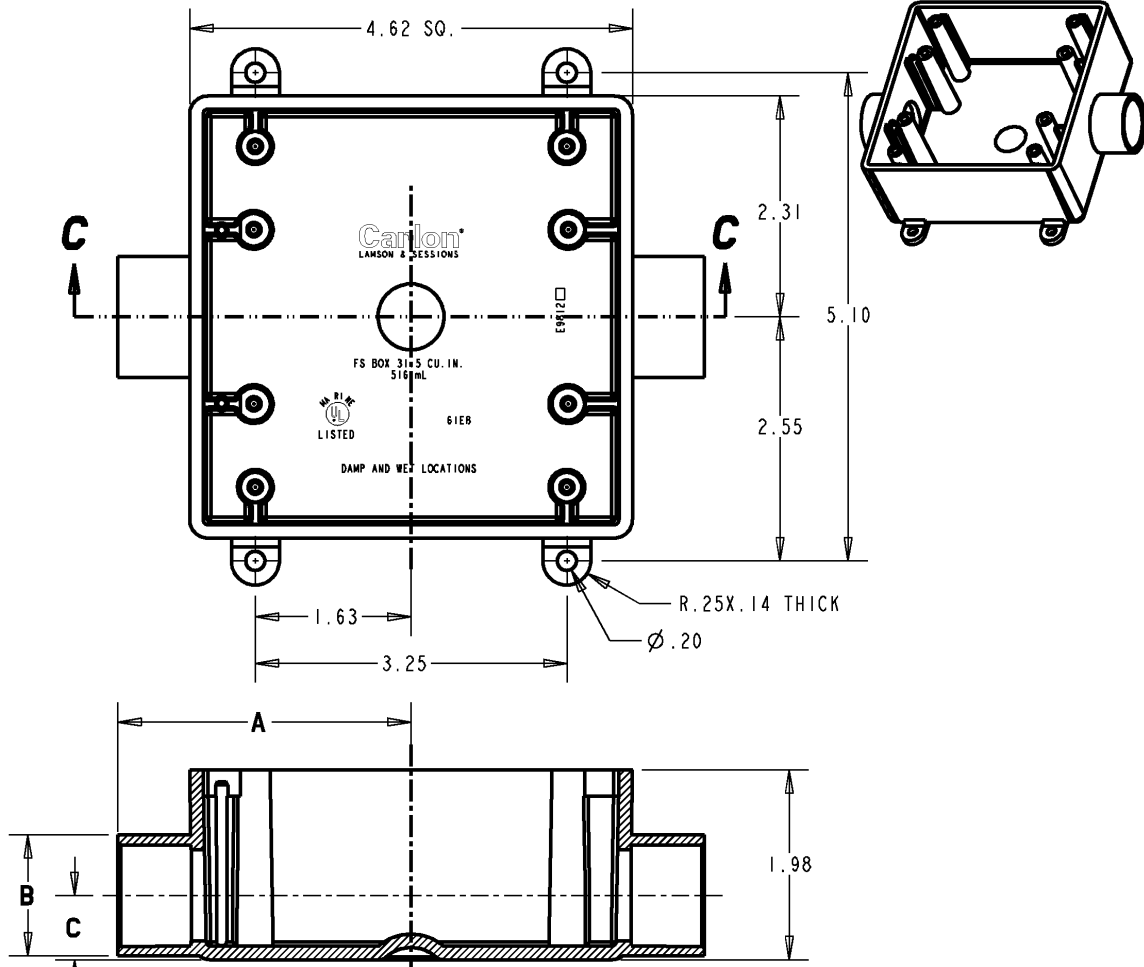
Thomas & Betts
www.tnb.com

DESCRIPTION: **FS BOX - 2 GANG - 2 PORTS**

| | | | |
|----------------------------------|-----------|----------|-------------|
| ORIGINAL PROJECT NO / (ERN NO) | SHEET NO: | REV. NO: | DRAWING NO: |
| / [] | 1 OF 1 | A | WSD-AC03677 |

THIS DRAWING IS INTENDED FOR DESCRIPTIVE PURPOSES ONLY. AND THE RIGHT IS RESERVED TO DEVIATE FROM ANY OF THE DETAILS SHOWN HEREON.
©2008 Thomas & Betts - Proprietary. All Rights Reserved

Carlton



SECTION C-C

| | | | | |
|---------------------------------|------------------|----------|----------|----------|
| E9812F E9812F-CTN E9812FL | 1" | 3.22 | 1.535 | .805 |
| E9812E E9812E-CTN E9812EL | 3/4" | 3.06 | 1.265 | .672 |
| E9812D E9812DR E9812DRL | 1/2" | 2.99 | 1.05 | .566 |
| PART NO. | PORT SIZE | A | B | C |

GENERAL NOTES

- ALL DIMENSIONS ARE FOR REFERENCE ONLY.
- DIMENSIONS IN BRACKETS [] ARE IN METRIC UNITS.

REVISIONS

** SEE ERN (****) FOR APPROVAL SIGNATURES & RELEASE DATE.
PROJECT NO: ****

Thomas & Betts
www.tnb.com

DESCRIPTION: **FS BOX - 2 GANG - 2 PORTS**

| | | | |
|----------------------------------|-----------|----------|-------------|
| ORIGINAL PROJECT NO / (ERN NO) | SHEET NO: | REV. NO: | DRAWING NO: |
| / [] | 1 OF 1 | A | WSD-AC03677 |

THIS DRAWING IS INTENDED FOR DESCRIPTIVE PURPOSES ONLY. AND THE RIGHT IS RESERVED TO DEVIATE FROM ANY OF THE DETAILS SHOWN HEREON.
©2008 Thomas & Betts - Proprietary. All Rights Reserved