

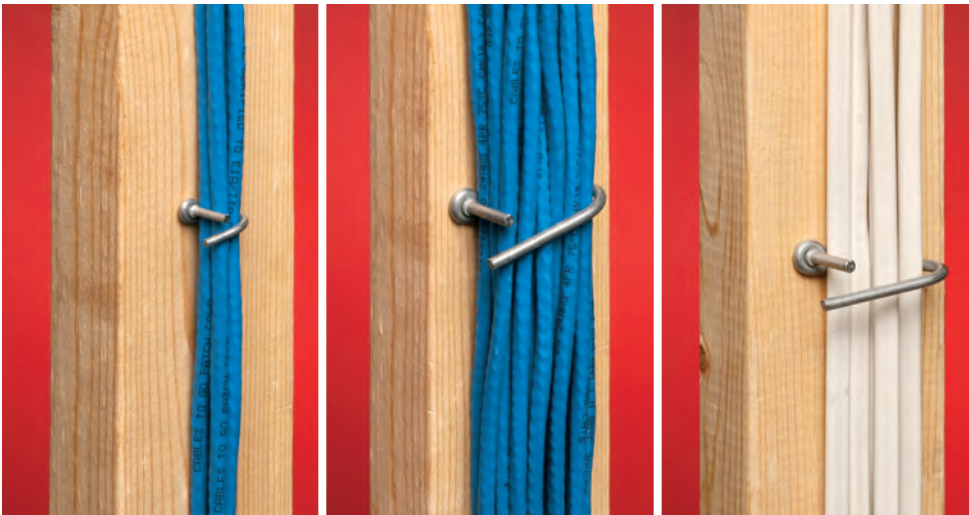
NEW!

DR Series Drive Rings

Supports Wire Runs on Walls, Studs, Rafters



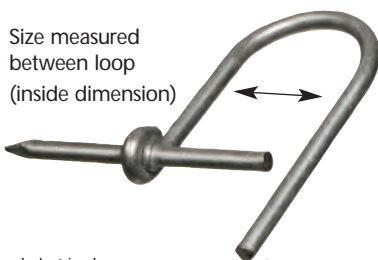
*Easy,
nail-on
installation*



DR1 1/2" Drive Ring with four cables

DR3 7/8" Drive Ring with twenty cables

DR3 7/8" Drive Ring with non-metallic sheathed cable



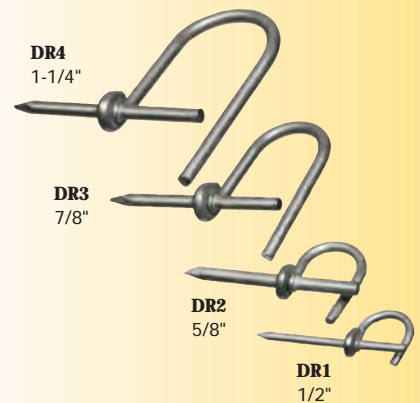
CATALOG NUMBER	UPC/DCI/NAED MFG #01 8997	DESCRIPTION Drive Ring	UNIT PKG	STD PKG
DR1	01551	1/2"	100	1000
DR2	01552	5/8"	50	500
DR3	01553	7/8"	50	500
DR4	01554	1-1/4"	25	250

Arlington's new drive rings offer the fast, easy way to run electrical, SE, SEU and communications wire or cable on interior wood framing members or exterior walls.

Made of corrosion-resistant galvanized steel, this series of drive rings provides sturdy support for wire and cable.

Available in four sizes (measured inside the loop), they support a range of cable bundle sizes. The larger the drive ring, the more wire it holds.

Installation is quick and easy. Use a hammer to attach the drive ring to the surface.




Arlington

1 Stauffer Industrial Park
Scranton, PA 18517
800/233.4717
Fax 570/562.0646
www.aifittings.com
www.arlnew.com/driverings

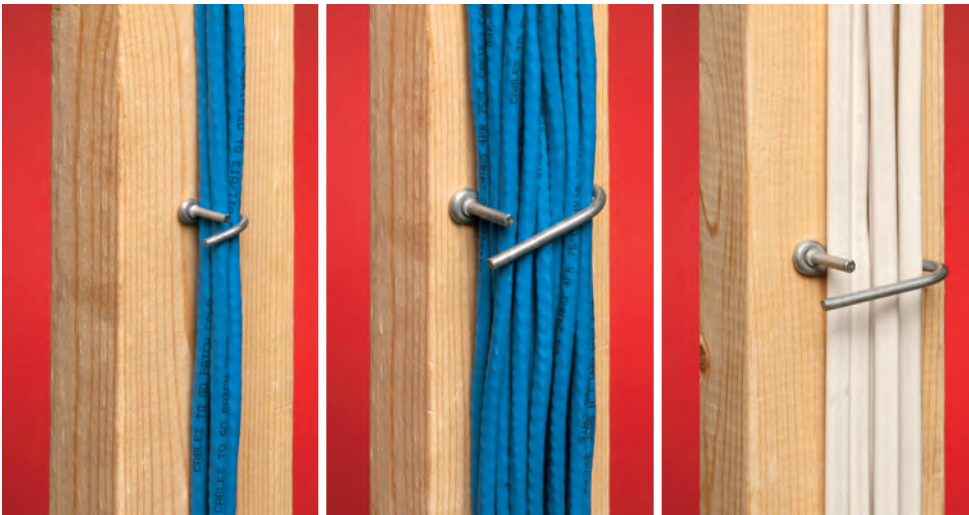
NEW!

DR Series Drive Rings

Supports Wire Runs on Walls, Studs, Rafters



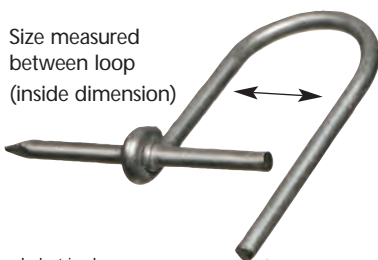
**Easy,
nail-on
installation**



DR1 1/2" Drive Ring with four cables

DR3 7/8" Drive Ring with twenty cables

DR3 7/8" Drive Ring with non-metallic sheathed cable



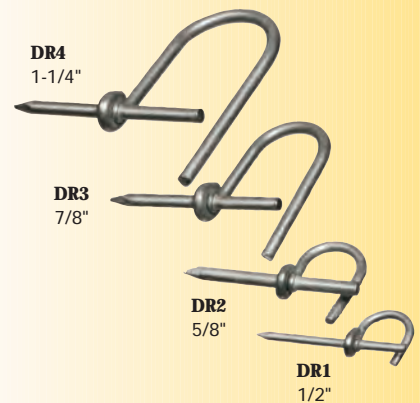
CATALOG NUMBER	UPC/DCI/NAED MFG #01 8997	DESCRIPTION Drive Ring	UNIT PKG	STD PKG
DR1	01551	1/2"	100	1000
DR2	01552	5/8"	50	500
DR3	01553	7/8"	50	500
DR4	01554	1-1/4"	25	250

Arlington's new drive rings offer the fast, easy way to run electrical, SE, SEU and communications wire or cable on interior wood framing members or exterior walls.

Made of corrosion-resistant galvanized steel, this series of drive rings provides sturdy support for wire and cable.

Available in four sizes (measured inside the loop), they support a range of cable bundle sizes. The larger the drive ring, the more wire it holds.

Installation is quick and easy. Use a hammer to attach the drive ring to the surface.



1 Stauffer Industrial Park
Scranton, PA 18517
800/233.4717
Fax 570/562.0646
www.aifittings.com
www.arlnew.com/driverings