

DLE V2

2" Recessed LED Downlight

The DLE Edge Lit LED Downlight Series offers an attractive visual aesthetic with a low profile in both round and square apertures. The edge-lit technology uses a reflective light guide panel that disperses light through a diffused lens, making it a practical and economical solution with high performance. The ultra-thin fixture depth and off-board driver allow for more flexible installation and increased lifetime with improved thermal management. The DLE fixture uses a plenum-rated cable connector to link the downlight module to the remote driver box and then pops into place with its adjustable, spring-loaded retention tabs for a secure fit, eliminating the need for a J-box or recessed housing. Adding light in tight spaces such as hallways, bathrooms, basements, entryways, porches, stairways, work areas, utility closets and corridors just got easier.

Edge Lit Technology

Allows for thin fixture depth



Frosted Diffused Lens

Uniform light distribution for maximum lumen output



Spring loaded retention arms

For easy installation, no housing needed

Cast Aluminum housing

Keeps heat away from electrical components



Off-Board Driver

Includes junction box with three knockout ports for connection

Product Measurements						
	DLE3-RD	DLE4-RD	DLE4-SQ	DLE6-RD	DLE6-SQ	DLE8-RD
Length:	3.69in (94 mm)	5.0in (127 mm)	4.70in (120 mm)	6.75in (171 mm)	6.90in (175 mm)	9.9in (251 mm)
Height:	0.44in (11 mm)	0.44in (11 mm)	0.80in (18 mm)	0.44in (11 mm)	0.82in (21 mm)	1.9in (48 mm)

DLE V2

Ordering Information

Construction

- Cast aluminum housing routes heat away from electrical components
- Edge-Lit technology allows for extremely thin fixture depth
- Adjustable, spring loaded retention tabs ensure secure fixture retention
- Certified for direct contact with insulation
- Includes gasket to meet AirTight requirements
- Square fixture has round back for easier cut in with standard hole cutters.

Optical System

- Precision engineered optical stack creates uniform light distribution that maximizes lumen output
- Frosted diffused acrylic lens also available CCT offered at 2700K, 3000K, 4000K, 5000K
- Utilizes high performing LEDs with a greater than 90 CRI and an R9 greater than 50

Electrical

- Off-board driver minimizes installation height and maximizes fixture life through improved heat management
- Dimmable to less than 5% with compatible TRIAC dimmers
- Operating temperature of 0° to 120°F (-18°C to 49°C)
- Input voltage of 120VAC
- TM-21 Reported L70(9K) hours >54,000

Finish

- Matte white powder coat finish
- Color trims available in Black, Nickel and Aged Copper
- Available in round or square configurations (DLE4&6 only)

Mounting and Installation

- Spring loaded retention arms allow for easy installation with no need for a recessed housing
- Off-board driver/junction box includes two 1/2" KOs and three-port poke-in connectors
- Included paper cutting template
- Metal rough in template available
- Extension power cables (2', 10', 20') available
- Suitable for damp locations

Warranty

- 5-year limited system warranty standard
- Warranty does not cover product failure due to an overvoltage event (power surge)
- For installations where power surge may be possible, NICOR recommends installing additional surge protection at the electrical distribution panel



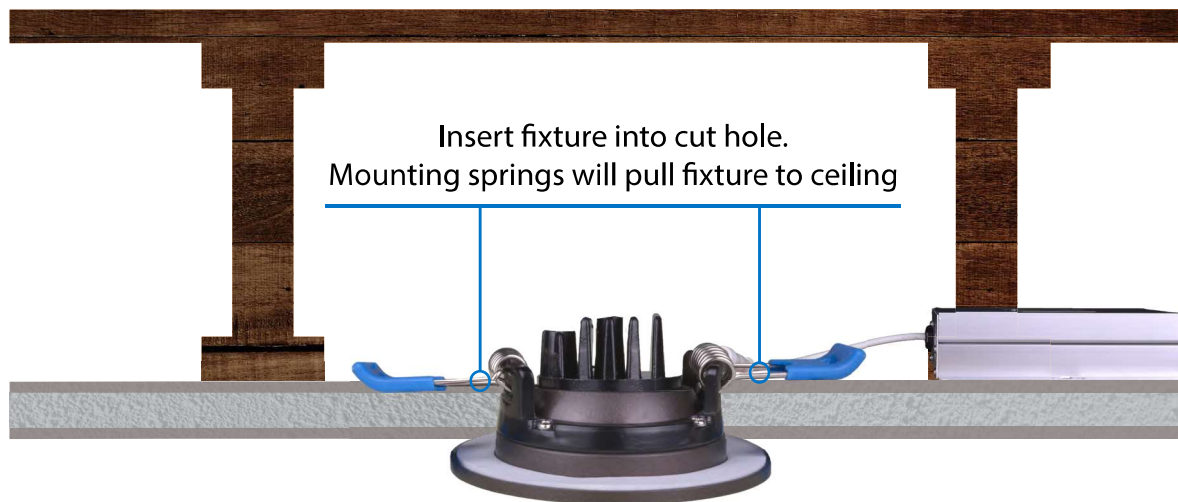
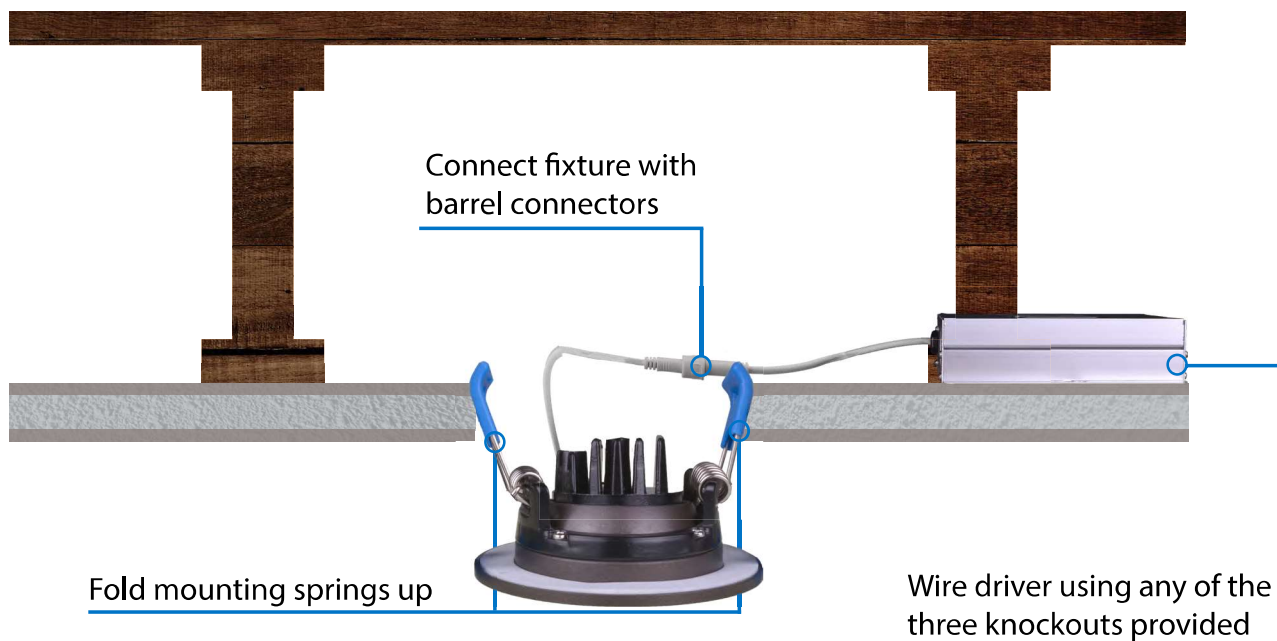
Performance Data			
Model Number	Lumens	Watts	Lumens/Watt
DLE321202KRDWH	347	5.9	58.8
DLE321203KRDWH	354	5.9	60.0
DLE321204KRDWH	362	5.9	61.4
DLE321205KRDWH	372	5.9	63.0
DLE421202KRDWH	710	11.1	64
DLE421203KRDWH	725	11.1	65.3
DLE421204KRDWH	741	11.1	66.8
DLE421205KRDWH	760	11.1	68.5
DLE421202KSQWH	566	8.3	68.4
DLE421203KSQWH	578	8.3	69.8
DLE421204KSQWH	541	8.3	71.4
DLE421205KSQWH	606	8.3	73.2
DLE621202KRDWH	948	13.9	68.4
DLE621203KRDWH	968	13.9	69.8
DLE621204KRDWH	990	15.3	71.4
DLE621205KRDWH	1015	13.9	73.2
DLE621202KSQWH	858	10.8	79.4
DLE621203KSQWH	876	10.8	81.1
DLE621204KSQWH	896	10.8	82.9
DLE621205KSQWH	919	10.8	85.1
DLE821202KRDWH	2018	33.2	60.8
DLE821203KRDWH	2060	33.2	62.1
DLE821204KRDWH	2107	33.2	63.5
DLE821205KRDWH	2161	33.2	65.1



Ordering Information					Example: DLE421203KRDWH
Series	Voltage	Voltage	CCT	Trim Shape	Trim Color
DLE3	2 (Version 2)	120	2K (2700 K)	RD (Round)	WH (white)
DLE4			3K (3000 K)	SQ (Square) (DLE4&6 only)	
DLE6			4K (4000 K)		
DLE8			5K (5000 K)		

(T24 not available in 5000K)

Remote Driver Products Installation





NICOR strives to deliver ease of installation and high-performance lighting solutions while providing a wide variety of form factors and sizes that fit any application. The newest expansion of NICOR's LED downlight family continues to deliver on these standards by providing new remote driver, and surface mount options that not only offer a variety of choices but also meet Energy Star standards. The range of available sizes and form factors add flexibility in application installation while being supported by an array of accessories and color options on select models.

DLE V2

2" Recessed LED Downlight

The DLE Edge Lit LED Downlight Series offers an attractive visual aesthetic with a low profile in both round and square apertures. The edge-lit technology uses a reflective light guide panel that disperses light through a diffused lens, making it a practical and economical solution with high performance. The ultra-thin fixture depth and off-board driver allow for more flexible installation and increased lifetime with improved thermal management. The DLE fixture uses a plenum-rated cable connector to link the downlight module to the remote driver box and then pops into place with its adjustable, spring-loaded retention tabs for a secure fit, eliminating the need for a J-box or recessed housing. Adding light in tight spaces such as hallways, bathrooms, basements, entryways, porches, stairways, work areas, utility closets and corridors just got easier.

Edge Lit Technology

Allows for thin fixture depth



Frosted Diffused Lens

Uniform light distribution for maximum lumen output



Spring loaded retention arms

For easy installation, no housing needed

Cast Aluminum housing

Keeps heat away from electrical components



Off-Board Driver

Includes junction box with three knockout ports for connection

Product Measurements						
	DLE3-RD	DLE4-RD	DLE4-SQ	DLE6-RD	DLE6-SQ	DLE8-RD
Length:	3.69in (94 mm)	5.0in (127 mm)	4.70in (120 mm)	6.75in (171 mm)	6.90in (175 mm)	9.9in (251 mm)
Height:	0.44in (11 mm)	0.44in (11 mm)	0.80in (18 mm)	0.44in (11 mm)	0.82in (21 mm)	1.9in (48 mm)

DLE V2

Ordering Information

Construction

- Cast aluminum housing routes heat away from electrical components
- Edge-Lit technology allows for extremely thin fixture depth
- Adjustable, spring loaded retention tabs ensure secure fixture retention
- Certified for direct contact with insulation
- Includes gasket to meet AirTight requirements
- Square fixture has round back for easier cut in with standard hole cutters.

Optical System

- Precision engineered optical stack creates uniform light distribution that maximizes lumen output
- Frosted diffused acrylic lens also available CCT offered at 2700K, 3000K, 4000K, 5000K
- Utilizes high performing LEDs with a greater than 90 CRI and an R9 greater than 50

Electrical

- Off-board driver minimizes installation height and maximizes fixture life through improved heat management
- Dimmable to less than 5% with compatible TRIAC dimmers
- Operating temperature of 0° to 120°F (-18°C to 49°C)
- Input voltage of 120VAC
- TM-21 Reported L70(9K) hours >54,000

Finish

- Matte white powder coat finish
- Color trims available in Black, Nickel and Aged Copper
- Available in round or square configurations (DLE4&6 only)

Mounting and Installation

- Spring loaded retention arms allow for easy installation with no need for a recessed housing
- Off-board driver/junction box includes two 1/2" KO's and three-port poke-in connectors
- Included paper cutting template
- Metal rough in template available
- Extension power cables (2', 10', 20') available
- Suitable for damp locations

Warranty

- 5-year limited system warranty standard
- Warranty does not cover product failure due to an overvoltage event (power surge)
- For installations where power surge may be possible, NICOR recommends installing additional surge protection at the electrical distribution panel



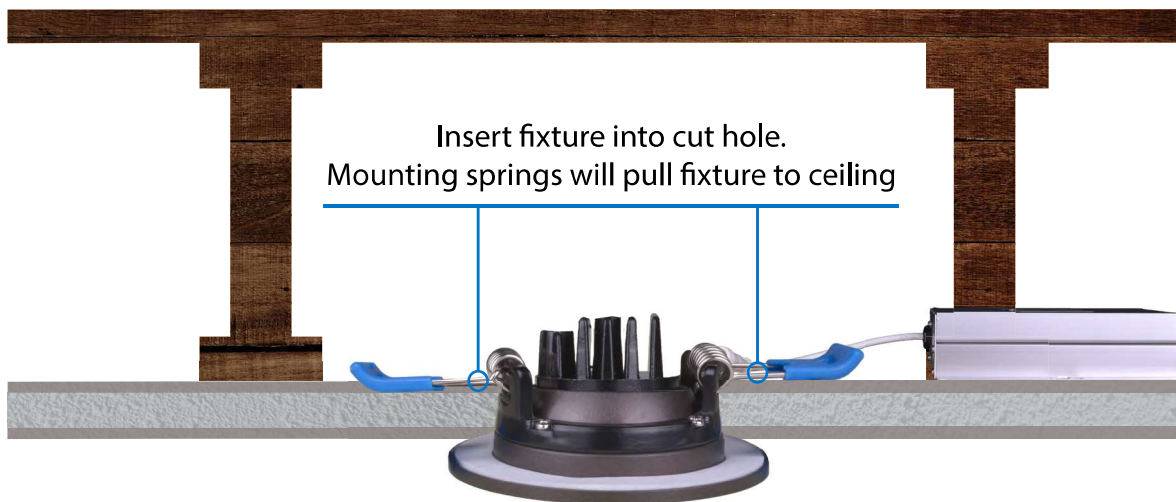
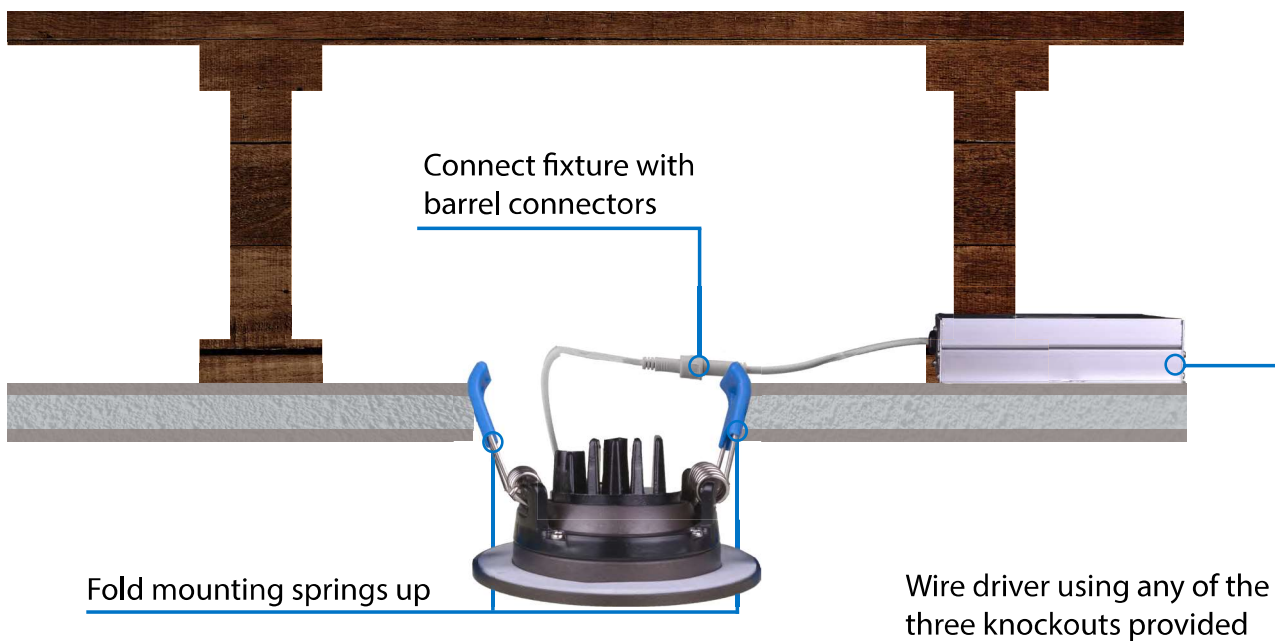
Performance Data			
Model Number	Lumens	Watts	Lumens/Watt
DLE321202KRDWH	347	5.9	58.8
DLE321203KRDWH	354	5.9	60.0
DLE321204KRDWH	362	5.9	61.4
DLE321205KRDWH	372	5.9	63.0
DLE421202KRDWH	710	11.1	64
DLE421203KRDWH	725	11.1	65.3
DLE421204KRDWH	741	11.1	66.8
DLE421205KRDWH	760	11.1	68.5
DLE421202KSQWH	566	8.3	68.4
DLE421203KSQWH	578	8.3	69.8
DLE421204KSQWH	541	8.3	71.4
DLE421205KSQWH	606	8.3	73.2
DLE621202KRDWH	948	13.9	68.4
DLE621203KRDWH	968	13.9	69.8
DLE621204KRDWH	990	15.3	71.4
DLE621205KRDWH	1015	13.9	73.2
DLE621202KSQWH	858	10.8	79.4
DLE621203KSQWH	876	10.8	81.1
DLE621204KSQWH	896	10.8	82.9
DLE621205KSQWH	919	10.8	85.1
DLE821202KRDWH	2018	33.2	60.8
DLE821203KRDWH	2060	33.2	62.1
DLE821204KRDWH	2107	33.2	63.5
DLE821205KRDWH	2161	33.2	65.1



Ordering Information					Example: DLE421203KRDWH
Series	Voltage	Voltage	CCT	Trim Shape	Trim Color
DLE3	2 (Version 2)	120	2K (2700 K)	RD (Round)	WH (white)
DLE4			3K (3000 K)	SQ (Square) (DLE4&6 only)	
DLE6			4K (4000 K)		
DLE8			5K (5000 K)		

(T24 not available in 5000K)

Remote Driver Products Installation





NICOR strives to deliver ease of installation and high-performance lighting solutions while providing a wide variety of form factors and sizes that fit any application. The newest expansion of NICOR's LED downlight family continues to deliver on these standards by providing new remote driver, and surface mount options that not only offer a variety of choices but also meet Energy Star standards. The range of available sizes and form factors add flexibility in application installation while being supported by an array of accessories and color options on select models.