

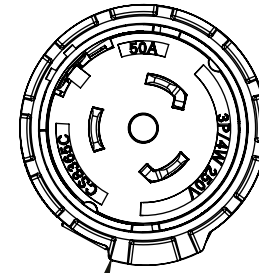
4

3

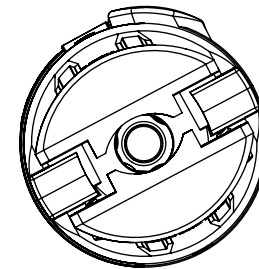
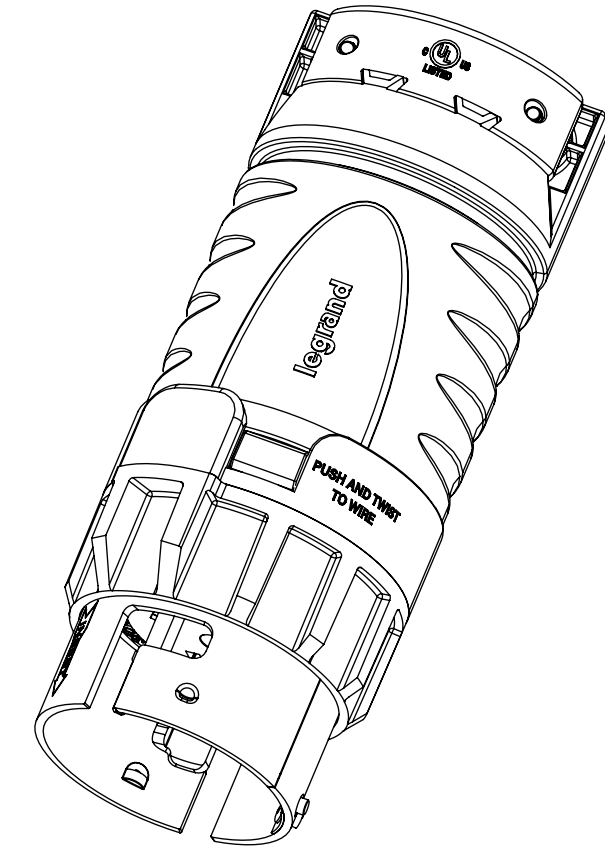
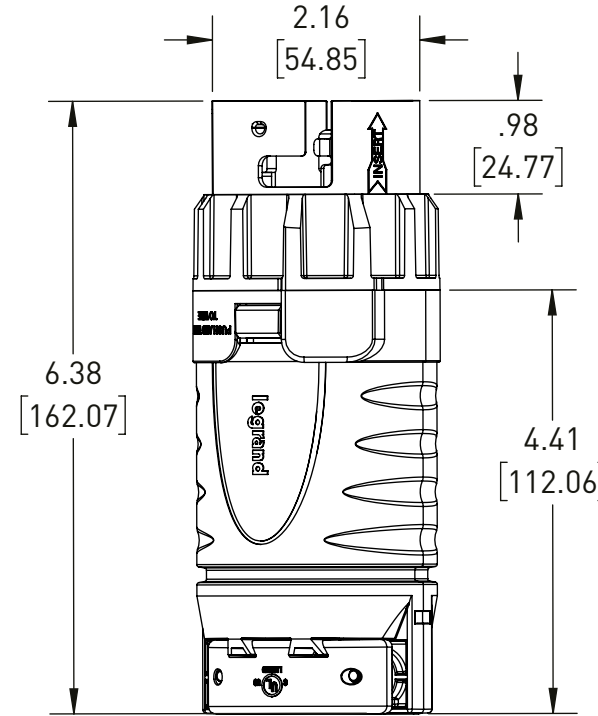
2

1

REVISIONS					
REV.	EC. NO.	DATE	DESCRIPTION	CREATED BY	CHECKED BY
A		3/8/2024	RELEASE	JR	





Ø 2.48  
[62.87]



Notes:

- BASE CATALOG NUMBER- CR8365C
- ELECTRICAL RATING: 3P/4W 50A 250V
- 3RD PARTY LISTING:
  - cULus LISTED:
    - File Number E146159
    - Standard UL498, Attachment Plugs and Receptacles
    - Standard CSA-C22.2 No. 42, General Use Receptacles and Attachment Plugs
- TERMINATIONS:
  - Back wire set screw terminals
  - #8 TO#4 AWG WIRE
- USE COPPER WIRE ONLY
- MATERIAL: NYLON

**ENVIRONMENTAL MATERIAL REQUIREMENTS**  
 MATERIALS, PRODUCTS, PARTS AND ASSEMBLIES PROVIDED UNDER THIS DRAWING MUST MEET THE REQUIREMENTS DETAILED IN THE LATEST REVISION OF THE LEGRAND, NORTH & CENTRAL AMERICA CORPORATE ENVIRONMENTAL MATERIAL REQUIREMENTS (EMR) DOCUMENT EMS-009. ANY DEVIATION FROM THE EMR REQUIREMENTS MUST BE APPROVED BY AN AUTHORIZED REPRESENTATIVE OF LEGRAND PRODUCT ENGINEERING IN WRITING. THE LATEST EMR DOCUMENT IS AVAILABLE ON REQUEST.

Unspecified Tol. Frac ±1/64 Angles ±1.0	Tool Number:	Finish:	Drawing Title CUSTOMER DRAWING CS8365C	
	Material:		Scale: 1:2	Sheet: 1 of 1
	Part Weight:	Date:		
	Created By: Josh RYAN	Date: 3/8/2024	Model Number: CS8365C	P&S Drawing No. CAD3328-PS-CS8365C
Do Not Scale Drawing	Checked By:	Date:	NOTICE: Proprietary and confidential information of Pass & Seymour/Legrand. Reproduction or disclosure prohibited under penalty of law.	
			Rev. <b>A</b>	

4

3

2

1

B

B

A

A