

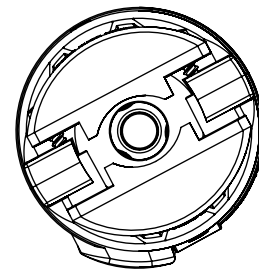
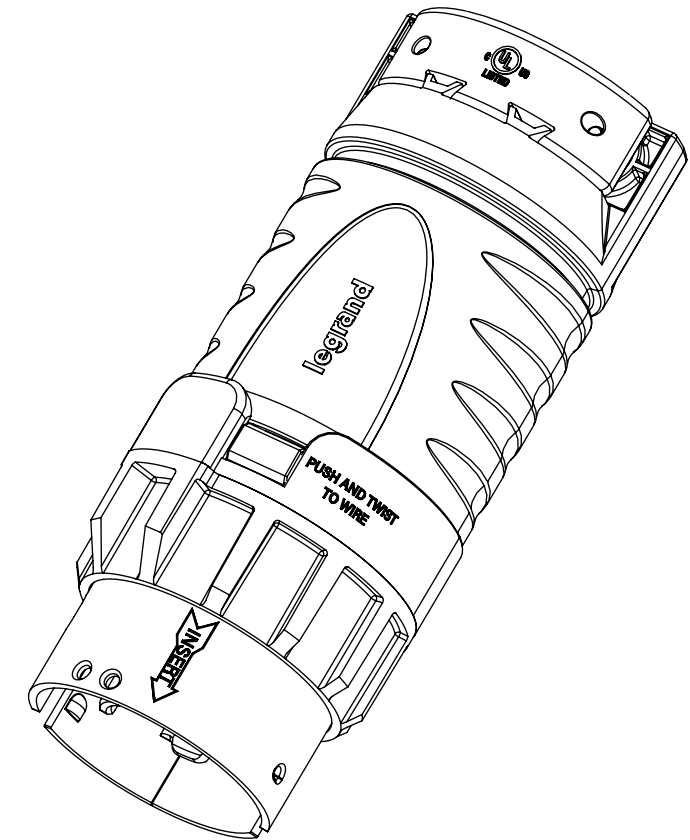
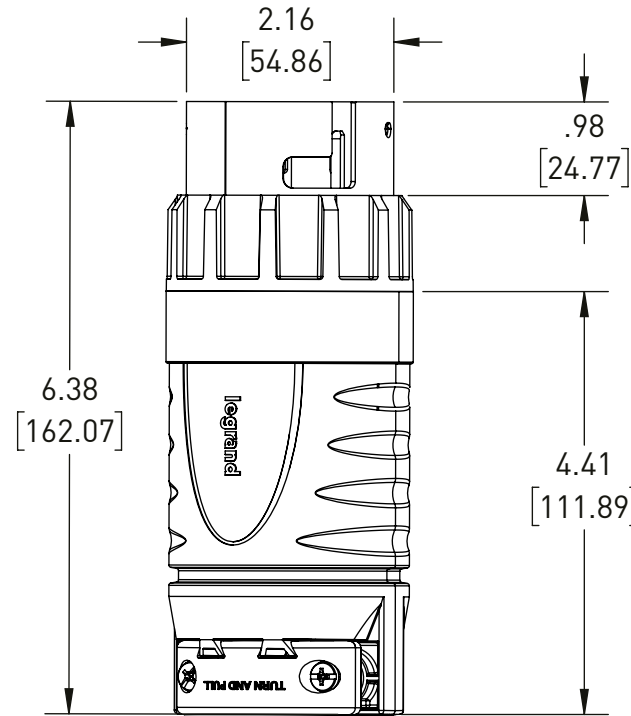
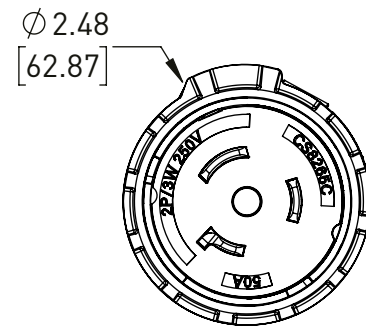
4

3

2

1

REVISIONS					
REV.	EC. NO.	DATE	DESCRIPTION	CREATED BY	CHECKED BY
A		2/19/2024	RELEASE	JR	



Notes:

1. BASE CATALOG NUMBER- CS8265C
2. ELECTRICAL RATING: 2P/3W 50A 250V
3. 3RD PARTY LISTING:
 - cULus LISTED:
 - File Number E146159
 - Standard UL498, Attachment Plugs and Receptacles
 - Standard CSA-C22.2 No. 42, General Use Receptacles and Attachment Plugs
4. TERMINATIONS:
 - Back wire set screw terminals
 - #8 TO#4 AWG WIRE
5. USE COPPER WIRE ONLY
6. MATERIAL: NYLON

ENVIRONMENTAL MATERIAL REQUIREMENTS
 MATERIALS, PRODUCTS, PARTS AND ASSEMBLIES PROVIDED UNDER THIS DRAWING MUST MEET THE REQUIREMENTS DETAILED IN THE LATEST REVISION OF THE LEGRAND, NORTH & CENTRAL AMERICA CORPORATE ENVIRONMENTAL MATERIAL REQUIREMENTS (EMR) DOCUMENT EMS-009. ANY DEVIATION FROM THE EMR REQUIREMENTS MUST BE APPROVED BY AN AUTHORIZED REPRESENTATIVE OF LEGRAND PRODUCT ENGINEERING IN WRITING. THE LATEST EMR DOCUMENT IS AVAILABLE ON REQUEST.

Unspecified Tol. Frac ±1/64 Angles ±1.0	Tool Number:	Finish:	Drawing Title	
	Material:		CUSTOMER DRAWING CS8265C	
	Part Weight:	Date:		Scale: 1:2
	Created By: Josh RYAN	2/19/2024		Sheet: 1 of 1
Do Not Scale Drawing	Checked By:	Date:	Model Number: CS8265C	Rev. A
	NOTICE: Proprietary and confidential information of Pass & Seymour/Legrand. Reproduction or disclosure prohibited under penalty of law.		P&S Drawing No. CAD313-PS-CS8265C	

4

3

2

1