



Catalog Number
Notes
Type

Contractor Select™ CPX™ LED Flat Panel

The CPX is an LED edge-lit flat panel offered in industry standard wattages. The cost effective and reliable luminaire features a diffuse lens for even illumination over the surface of the panel. It is ideal for applications such as small offices, schools and retail.

FEATURES:

- Industry standard wattages
- Long-life LEDs maintain greater than 70% of their lumen output at 50,000 hours
- 0-10V dimming driver, dims to 10%

WEIGHT:

2x2

Unit: 6.45lbs

Unit Carton: 7.45lbs

Master Carton: 27.25lbs

2x4

Unit: 11.75lbs

Unit Carton: 13.75lbs

Master Carton: 25.5lbs



Catalog Number	UPC	Description	Lumens	Input Watts	CCT	CRI	Voltage	Pallet qty.
CPX 2X2 3200LM 35K M4	191848338537	2x2 Flat Panel	3200	30	3500K	80	120-277V	64
CPX 2X2 3200LM 40K M4	191848338650	2x2 Flat Panel	3200	30	4000K	80	120-277V	64
CPX 2X2 3200LM 50K M4	193048313642	2x2 Flat Panel	3200	30	5000K	80	120-277V	64
CPX 2X4 4000LM 35K M2	191848338490	2x4 Flat Panel	4000	40	3500K	80	120-277V	26
CPX 2X4 4000LM 40K M2	191848338506	2x4 Flat Panel	4000	40	4000K	80	120-277V	26
CPX 2X4 4000LM 50K M2	193048313680	2x4 Flat Panel	4000	40	5000K	80	120-277V	26

Accessories: Order as separate catalog number.	
2X2SMKSH	2'x2' Surface Mount Troffer Kit
2X4SMKSH	2'x4' Surface Mount Troffer Kit
PS1055CP	10W constant power ¹
DGA22	Drywall grid adapter for 2x2 recessed fixture.
DGA24	Drywall grid adapter for 2x4 recessed fixture.

NOTES

- PS1055CP remote mounted only. See Power Sentry [PS1055CP](#), [PS1555CP](#) battery spec sheet here and [ELA-PSMK-PSMKSD-PSDMI-PSRME](#) remote mounting enclosure spec sheet here.



Specifications

INTENDED USE:

The CPX Series LED is a low-glare panel featuring an external driver. This cost-effective, reliable flat panel is visually comfortable and can be recessed, or Surface Box mounted. Suitable for many applications such as schools, offices, retail, convenience stores, hospitals, healthcare facilities and other commercial spaces. **Certain airborne contaminants can diminish integrity of acrylic.** [Click here for Acrylic Environmental Compatibility table for suitable uses.](#)

CONSTRUCTION:

The extruded aluminum frame with satin white lens provides excellent shielding and uniform luminance. CPX's low-profile design provides increased installation flexibility especially in restricted plenum spaces. The back plate includes integral T-bar clips for installation into T-grid ceilings.

ELECTRICAL:

Long-life LEDs, coupled with a high-efficiency driver, provide superior illumination for extended service life. Greater than 70% LED lumen maintenance at 50,000 hours (L70>50,000).
0-10V dimming driver, dims to 10% and contains non-isolated dimming leads.

LISTINGS:

CSA certified to meet US and Canadian standards. Damp location listed. IC rated.
DesignLights Consortium® (DLC) qualified product. Not all versions of this product may be DLC qualified. Please check the DLC Qualified Products List at www.designlights.org/QPL to confirm which versions are qualified.

WARRANTY:

5-year limited warranty. Complete warranty terms located at:
www.acuitybrands.com/support/customer-support/terms-and-conditions

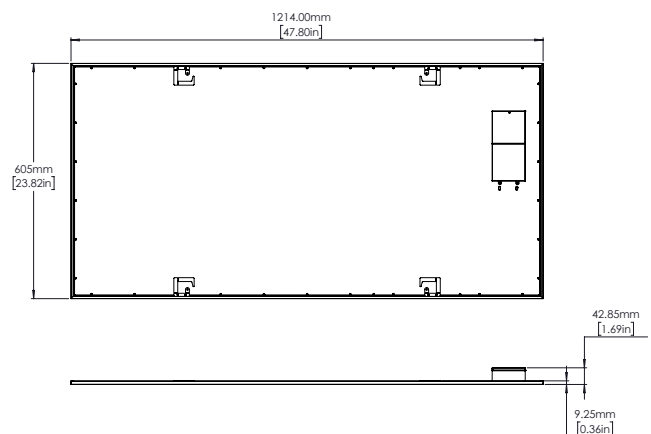
Note: Actual performance may differ as a result of end-user environment and application. All values are design or typical values, measured under laboratory conditions at 25 °C. Specifications subject to change without notice.

Dimensions

Length: 47.80 (121.4)

Width: 23.82 (60.5)

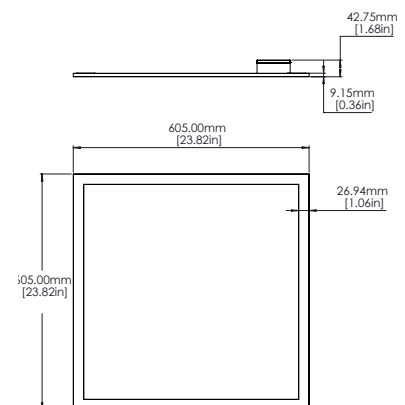
Depth: 1.68 (4.3)



Length: 23.82 (60.5)

Width: 23.82 (60.5)

Depth: 1.68 (4.3)



All dimensions are inches (centimeters) unless otherwise indicated.