

# W

## Technical Specifications - Classic Window Series

CLW

*Flush Bonded Window "W" configuration - 4 cover screws, lift off cover*



Classic Window Series

### W Construction

|                                 |  |
|---------------------------------|--|
| <b>Material</b>                 | Hot compression molded fiberglass reinforced polyester (thermoset)                             |
| <b>Gasket</b>                   | Poured polyurethane seamless gasket provides watertight, dust-tight environmental seal         |
| <b>Recessed Screws</b>          | No protruding surfaces   |
| <b>Stainless Steel Hardware</b> | 300 Series stainless used on all hardware  |
| <b>Mounting Bosses</b>          | Panel mounting capability for fixed rear panel   |
| <b>Metal inserts</b>            | All bosses utilize threaded brass inserts accepting 10-32 screws                               |
| <b>Soft Edge Design</b>         | Rounded edges, minimal protrusions or exposed pocket areas for assembly of dust and debris     |
| <b>Bonded Window</b>            | Precision routed flush bonded Super Abrasion Resistant acrylic material for maximum visibility |

### W Industry Standards

|                                   |  |
|-----------------------------------|--|
| <b>UL/cUL 50</b>                  | File E64358 Type 1, 3, 4X, 12                      |
| <b>NEMA 250</b>                   | Type 1, 3, 4X, 12                                  |
| <b>CSA Std C22.2</b>              | File LR069014 Type 1, 3, 4X, 12                    |
| <b>Temperature Range</b>          | (-76° F to +274°F) (-60°C to +134°C)               |
| <b>Flammability Rating</b>        | UL94-5V  |
| <b>Window Temperature Range</b>   | (-26°F to +170°F) (-32°C to +76°C)                 |
| <b>Window Flammability Rating</b> | UL94-HB  |
| <b>Self Extinguishing</b>         | Non-halogenated, Non-flame propagating             |
| <b>Chemical Resistance</b>        | Full chemical resistance charts listed in appendix |
| <b>NFPA No. 101 Flame Spread</b>  | Class A (1)  |

### NOTES:

### W Accessories

#### Back Panels

|                        |       |               |
|------------------------|-------|---------------|
| <b>Aluminum</b>        | BP_AL | pg. 149 - 150 |
| <b>Fiberglass</b>      | BP_FG | pg. 149 - 150 |
| <b>Stainless Steel</b> | BP_SS | pg. 149 - 150 |
| <b>Carbon Steel</b>    | BP_CS | pg. 149 - 150 |

#### Mounting Feet

|                      |         |
|----------------------|---------|
| <b>Mounting Feet</b> | pg. 157 |
|----------------------|---------|

#### Accessories

|                                     |               |
|-------------------------------------|---------------|
| <b>Drain &amp; Breather Vents</b>   | pg. 144, 146  |
| <b>Hole Plugs</b>                   | pg. 145       |
| <b>Assorted Hubs and Cord Grips</b> | pg. 145, 148  |
| <b>All Other Accessories</b>        | pg. 144 - 159 |

### W Modifications

|                             |             |
|-----------------------------|-------------|
| <b>Custom Colors</b>        | pg. 12 - 13 |
| <b>Silk Screening</b>       | pg. 12 - 13 |
| <b>EMI/RFI Shielding</b>    | pg. 12 - 13 |
| <b>Custom Window</b>        | pg. 12 - 13 |
| <b>Custom Cutouts/Holes</b> | pg. 12 - 13 |

# HW

## Technical Specifications - Classic Window Series

CLW

Flush Bonded Window "HW" configuration - Hinged, 2 cover screws



**NOTES:**

### HW Construction

|                                 |  |
|---------------------------------|--|
| <b>Material</b>                 | Hot compression molded fiberglass reinforced polyester (thermoset)                             |
| <b>Gasket</b>                   | Poured polyurethane seamless gasket provides watertight, dust-tight environmental seal         |
| <b>Recessed Screws</b>          | No protruding surfaces   |
| <b>Stainless Steel Hardware</b> | 300 Series stainless used on all hardware  |
| <b>Mounting Bosses</b>          | Panel mounting capability for fixed rear panel   |
| <b>Metal inserts</b>            | All bosses utilize threaded brass inserts accepting 10-32 screws                               |
| <b>Soft Edge Design</b>         | Rounded edges, minimal protrusions or exposed pocket areas for assembly of dust and debris     |
| <b>Bonded Window</b>            | Precision routed flush bonded Super Abrasion Resistant acrylic material for maximum visibility |

### HW Industry Standards

|                                   |  |
|-----------------------------------|--|
| <b>UL/cUL 50</b>                  | File E64358 Type 1, 3, 4X, 12                      |
| <b>NEMA 250</b>                   | Type 1, 3, 4X, 12                                  |
| <b>CSA Std C22.2</b>              | File LR069014 Type 1, 3, 4X, 12                    |
| <b>Temperature Range</b>          | (-76° F to +274°F) (-60°C to +134°C)               |
| <b>Flammability Rating</b>        | UL94-5V  |
| <b>Window Temperature Range</b>   | (-26°F to +170°F) (-32°C to +76°C)                 |
| <b>Window Flammability Rating</b> | UL94-HB  |
| <b>Self Extinguishing</b>         | Non-halogenated, Non-flame propagating             |
| <b>Chemical Resistance</b>        | Full chemical resistance charts listed in appendix |
| <b>NFPA No. 101 Flame Spread</b>  | Class A (1)  |

### HW Accessories

#### Back Panels

|                        |       |               |
|------------------------|-------|---------------|
| <b>Aluminum</b>        | BP_AL | pg. 149 - 150 |
| <b>Fiberglass</b>      | BP_FG | pg. 149 - 150 |
| <b>Stainless Steel</b> | BP_SS | pg. 149 - 150 |
| <b>Carbon Steel</b>    | BP_CS | pg. 149 - 150 |

#### Mounting Feet

|                      |         |
|----------------------|---------|
| <b>Mounting Feet</b> | pg. 157 |
|----------------------|---------|

#### Accessories

|                                     |               |
|-------------------------------------|---------------|
| <b>Drain &amp; Breather Vents</b>   | pg. 144, 146  |
| <b>Hole Plugs</b>                   | pg. 145       |
| <b>Assorted Hubs and Cord Grips</b> | pg. 145, 148  |
| <b>All Other Accessories</b>        | pg. 144 - 159 |

### HW Modifications

|                             |             |
|-----------------------------|-------------|
| <b>Custom Colors</b>        | pg. 12 - 13 |
| <b>Silk Screening</b>       | pg. 12 - 13 |
| <b>EMI/RFI Shielding</b>    | pg. 12 - 13 |
| <b>Custom Window</b>        | pg. 12 - 13 |
| <b>Custom Cutouts/Holes</b> | pg. 12 - 13 |

# Technical Specifications - Classic Window Series

## Flush Bonded Window "HLL" configuration - Hinged, twist latch



### HLL Construction

|                                 |  |
|---------------------------------|--|
| <b>Material</b>                 | Hot compression molded fiberglass reinforced polyester (thermoset)                             |
| <b>Gasket</b>                   | Poured polyurethane seamless gasket provides watertight, dust-tight environmental seal         |
| <b>Recessed Screws</b>          | No protruding surfaces   |
| <b>Stainless Steel Hardware</b> | 300 Series stainless used on all hardware  |
| <b>Mounting Bosses</b>          | Panel mounting capability for fixed rear panel   |
| <b>Metal inserts</b>            | All bosses utilize threaded brass inserts accepting 10-32 screws                               |
| <b>Soft Edge Design</b>         | Rounded edges, minimal protrusions or exposed pocket areas for assembly of dust and debris     |
| <b>Bonded Window</b>            | Precision routed flush bonded Super Abrasion Resistant acrylic material for maximum visibility |

### HLL Industry Standards

|                                   |  |
|-----------------------------------|--|
| <b>UL/cUL 50</b>                  | File E64358 Type 1, 3, 4X, 12                      |
| <b>NEMA 250</b>                   | Type 1, 3, 4X, 12                                  |
| <b>CSA Std C22.2</b>              | File LR069014 Type 1, 3, 4X, 12                    |
| <b>Temperature Range</b>          | (-76° F to +274°F) (-60°C to +134°C)               |
| <b>Flammability Rating</b>        | UL94-5V  |
| <b>Window Temperature Range</b>   | (-26°F to +170°F) (-32°C to +76°C)                 |
| <b>Window Flammability Rating</b> | UL94-HB  |
| <b>Self Extinguishing</b>         | Non-halogenated, Non-flame propagating             |
| <b>Chemical Resistance</b>        | Full chemical resistance charts listed in appendix |
| <b>NFPA No. 101 Flame Spread</b>  | Class A (1)  |

**NOTES:**

### HLL Accessories

#### Back Panels

|                        |       |               |
|------------------------|-------|---------------|
| <b>Aluminum</b>        | BP_AL | pg. 149 - 150 |
| <b>Fiberglass</b>      | BP_FG | pg. 149 - 150 |
| <b>Stainless Steel</b> | BP_SS | pg. 149 - 150 |
| <b>Carbon Steel</b>    | BP_CS | pg. 149 - 150 |

#### Mounting Feet

|                      |         |
|----------------------|---------|
| <b>Mounting Feet</b> | pg. 157 |
|----------------------|---------|

#### Accessories

|                                     |               |
|-------------------------------------|---------------|
| <b>Drain &amp; Breather Vents</b>   | pg. 144, 146  |
| <b>Hole Plugs</b>                   | pg. 145       |
| <b>Assorted Hubs and Cord Grips</b> | pg. 145, 148  |
| <b>All Other Accessories</b>        | pg. 144 - 159 |

### HLL Modifications

|                             |             |
|-----------------------------|-------------|
| <b>Custom Colors</b>        | pg. 12 - 13 |
| <b>Silk Screening</b>       | pg. 12 - 13 |
| <b>EMI/RFI Shielding</b>    | pg. 12 - 13 |
| <b>Custom Window</b>        | pg. 12 - 13 |
| <b>Custom Cutouts/Holes</b> | pg. 12 - 13 |

# HPL

## Technical Specifications - Classic Window Series

CLW

*"HPL" configuration - Hinged, padlock latch*



**NOTES:**

### HPL Construction

|                                 |  |
|---------------------------------|--|
| <b>Material</b>                 | Hot compression molded fiberglass reinforced polyester (thermoset)                             |
| <b>Gasket</b>                   | Poured polyurethane seamless gasket provides watertight, dust-tight environmental seal         |
| <b>Recessed Screws</b>          | No protruding surfaces   |
| <b>Stainless Steel Hardware</b> | 300 Series stainless used on all hardware  |
| <b>Mounting Bosses</b>          | Panel mounting capability for fixed rear panel   |
| <b>Metal inserts</b>            | All bosses utilize threaded brass inserts accepting 10-32 screws                               |
| <b>Soft Edge Design</b>         | Rounded edges, minimal protrusions or exposed pocket areas for assembly of dust and debris     |
| <b>Bonded Window</b>            | Precision routed flush bonded Super Abrasion Resistant acrylic material for maximum visibility |

### HPL Industry Standards

|                                   |  |
|-----------------------------------|--|
| <b>UL/cUL 50</b>                  | File E64358 Type 1, 3, 4X, 12                      |
| <b>NEMA 250</b>                   | Type 1, 3, 4X, 12                                  |
| <b>CSA Std C22.2</b>              | File LR069014 Type 1, 3, 4X, 12                    |
| <b>Temperature Range</b>          | (-76° F to +274°F) (-60°C to +134°C)               |
| <b>Flammability Rating</b>        | UL94-5V  |
| <b>Window Temperature Range</b>   | (-26°F to +170°F) (-32°C to +76°C)                 |
| <b>Window Flammability Rating</b> | UL94-HB  |
| <b>Self Extinguishing</b>         | Non-halogenated, Non-flame propagating             |
| <b>Chemical Resistance</b>        | Full chemical resistance charts listed in appendix |
| <b>NFPA No. 101 Flame Spread</b>  | Class A (1)  |

### HPL Accessories

#### Back Panels

|                        |        |               |
|------------------------|--------|---------------|
| <b>Aluminum</b>        | BP__AL | pg. 149 - 150 |
| <b>Fiberglass</b>      | BP__FG | pg. 149 - 150 |
| <b>Stainless Steel</b> | BP__SS | pg. 149 - 150 |
| <b>Carbon Steel</b>    | BP__CS | pg. 149 - 150 |

#### Mounting Feet

|                      |         |
|----------------------|---------|
| <b>Mounting Feet</b> | pg. 157 |
|----------------------|---------|

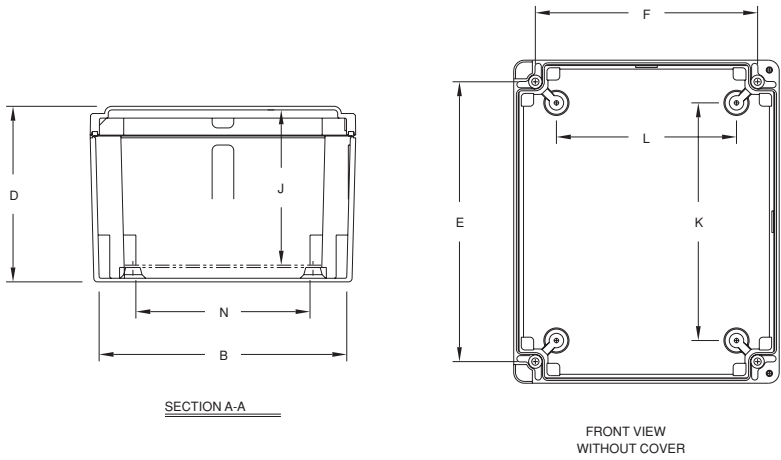
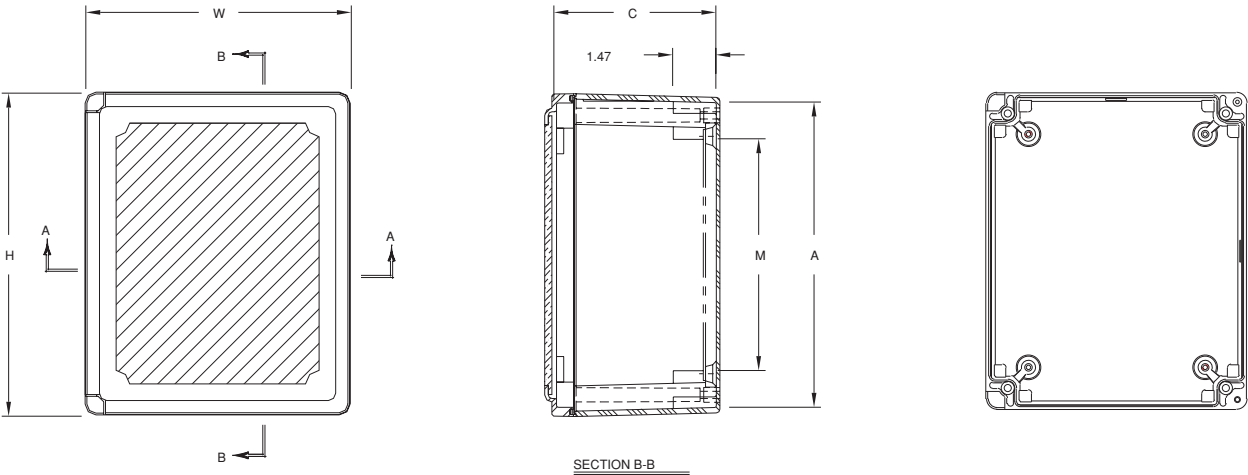
#### Accessories

|                                     |               |
|-------------------------------------|---------------|
| <b>Drain &amp; Breather Vents</b>   | pg. 144, 146  |
| <b>Hole Plugs</b>                   | pg. 145       |
| <b>Assorted Hubs and Cord Grips</b> | pg. 145, 148  |
| <b>All Other Accessories</b>        | pg. 144 - 159 |

### HPL Modifications

|                             |             |
|-----------------------------|-------------|
| <b>Custom Colors</b>        | pg. 12 - 13 |
| <b>Silk Screening</b>       | pg. 12 - 13 |
| <b>EMI/RFI Shielding</b>    | pg. 12 - 13 |
| <b>Custom Window</b>        | pg. 12 - 13 |
| <b>Custom Cutouts/Holes</b> | pg. 12 - 13 |

Classic Window Series Technical Drawings



## Classic Window Series Flush Bonded Window Enclosures

### Classic Window Series Flush Bonded Window Enclosures

| SIZE ID NUMBER                                    | OVERALL H X W X D                         | INSIDE A X B X C                          | WINDOW AREA [MAXIMUM]        | MOUNTING E X F               | J             | K              | L              | M              | N              | SHIPPING WEIGHT | PANEL NUMBER |
|---|---|---|------------------------------|------------------------------|---------------|----------------|----------------|----------------|----------------|-----------------|--------------|
| CLW707HW<br>CLW707HPL                             | 7.21 x 7.21 x 5.09<br>(183 x 183 x 129)   | 6.65 x 6.65 x 4.84<br>(169 x 169 x 123)   | 5.06 x 5.06<br>(129 x 129)   | 5.71 x 5.71<br>(145 x 145)   | 4.39<br>(111) | 4.25<br>(108)  | 4.25<br>(108)  | 4.04<br>(103)  | 4.04<br>(103)  | 4 lbs.          | BP66*        |
| CLW907HW<br>CLW907HPL                             | 9.21 x 7.21 x 5.09<br>(234 x 183 x 129)   | 8.59 x 6.59 x 4.84<br>(218 x 167 x 123)   | 7.06 x 5.06<br>(179 x 129)   | 7.71 x 5.71<br>(196 x 145)   | 4.39<br>(111) | 6.25<br>(159)  | 4.25<br>(108)  | 6.04<br>(154)  | 4.04<br>(103)  | 4.3 lbs.        | BP86*        |
| CLW1109HW<br>CLW1109HPL                           | 11.21 x 9.21 x 6.09<br>(285 x 234 x 155)  | 10.59 x 8.59 x 5.84<br>(269 x 218 x 148)  | 9.06 x 7.06<br>(230 x 179)   | 9.71 x 7.71<br>(247 x 196)   | 5.39<br>(137) | 8.25<br>(210)  | 6.25<br>(159)  | 8.04<br>(204)  | 6.04<br>(154)  | 6 lbs.          | BP108*       |
| CLW1311W<br>CLW1311HW<br>CLW1311HLL<br>CLW1311HPL | 13.21 x 11.21 x 6.59<br>(336 x 285 x 167) | 12.59 x 10.59 x 6.34<br>(320 x 269 x 161) | 11.06 x 9.06<br>(281 x 230)  | 11.71 x 9.71<br>(298 x 247)  | 5.89<br>(150) | 10.25<br>(260) | 8.25<br>(210)  | 10.04<br>(255) | 8.04<br>(204)  | 7.8 lbs.        | BP1210*      |
| CLW1513HW<br>CLW1513HLL<br>CLW1513HPL             | 15.21 x 13.21 x 7.09<br>(386 x 336 x 180) | 14.55 x 12.55 x 6.84<br>(370 x 319 x 174) | 13.06 x 11.06<br>(332 x 281) | 13.71 x 11.71<br>(348 x 298) | 6.39<br>(162) | 12.25<br>(311) | 10.25<br>(260) | 12.04<br>(306) | 10.04<br>(255) | 11.6 lbs.       | BP1412*      |

Note: Hinge Short Side available; consult factory for details.

All measures are in inches, items in parentheses are in millimeters.

\*Panel ordered separately.

# W

## Technical Specifications - Classic Window Series

CLW

*Flush Bonded Window "W" configuration - 4 cover screws, lift off cover*



Classic Window Series

### W Construction

|                                 |  |
|---------------------------------|--|
| <b>Material</b>                 | Hot compression molded fiberglass reinforced polyester (thermoset)                             |
| <b>Gasket</b>                   | Poured polyurethane seamless gasket provides watertight, dust-tight environmental seal         |
| <b>Recessed Screws</b>          | No protruding surfaces   |
| <b>Stainless Steel Hardware</b> | 300 Series stainless used on all hardware  |
| <b>Mounting Bosses</b>          | Panel mounting capability for fixed rear panel   |
| <b>Metal inserts</b>            | All bosses utilize threaded brass inserts accepting 10-32 screws                               |
| <b>Soft Edge Design</b>         | Rounded edges, minimal protrusions or exposed pocket areas for assembly of dust and debris     |
| <b>Bonded Window</b>            | Precision routed flush bonded Super Abrasion Resistant acrylic material for maximum visibility |

### W Industry Standards

|                                   |  |
|-----------------------------------|--|
| <b>UL/cUL 50</b>                  | File E64358 Type 1, 3, 4X, 12                      |
| <b>NEMA 250</b>                   | Type 1, 3, 4X, 12                                  |
| <b>CSA Std C22.2</b>              | File LR069014 Type 1, 3, 4X, 12                    |
| <b>Temperature Range</b>          | (-76° F to +274°F) (-60°C to +134°C)               |
| <b>Flammability Rating</b>        | UL94-5V  |
| <b>Window Temperature Range</b>   | (-26°F to +170°F) (-32°C to +76°C)                 |
| <b>Window Flammability Rating</b> | UL94-HB  |
| <b>Self Extinguishing</b>         | Non-halogenated, Non-flame propagating             |
| <b>Chemical Resistance</b>        | Full chemical resistance charts listed in appendix |
| <b>NFPA No. 101 Flame Spread</b>  | Class A (1)  |

### NOTES:

### W Accessories

#### Back Panels

|                        |       |               |
|------------------------|-------|---------------|
| <b>Aluminum</b>        | BP_AL | pg. 149 - 150 |
| <b>Fiberglass</b>      | BP_FG | pg. 149 - 150 |
| <b>Stainless Steel</b> | BP_SS | pg. 149 - 150 |
| <b>Carbon Steel</b>    | BP_CS | pg. 149 - 150 |

#### Mounting Feet

|                      |         |
|----------------------|---------|
| <b>Mounting Feet</b> | pg. 157 |
|----------------------|---------|

#### Accessories

|                                     |               |
|-------------------------------------|---------------|
| <b>Drain &amp; Breather Vents</b>   | pg. 144, 146  |
| <b>Hole Plugs</b>                   | pg. 145       |
| <b>Assorted Hubs and Cord Grips</b> | pg. 145, 148  |
| <b>All Other Accessories</b>        | pg. 144 - 159 |

### W Modifications

|                             |             |
|-----------------------------|-------------|
| <b>Custom Colors</b>        | pg. 12 - 13 |
| <b>Silk Screening</b>       | pg. 12 - 13 |
| <b>EMI/RFI Shielding</b>    | pg. 12 - 13 |
| <b>Custom Window</b>        | pg. 12 - 13 |
| <b>Custom Cutouts/Holes</b> | pg. 12 - 13 |

# HW

## Technical Specifications - Classic Window Series

CLW

*Flush Bonded Window "HW" configuration - Hinged, 2 cover screws*



**NOTES:**

### HW Construction

|                                 |  |
|---------------------------------|--|
| <b>Material</b>                 | Hot compression molded fiberglass reinforced polyester (thermoset)                             |
| <b>Gasket</b>                   | Poured polyurethane seamless gasket provides watertight, dust-tight environmental seal         |
| <b>Recessed Screws</b>          | No protruding surfaces   |
| <b>Stainless Steel Hardware</b> | 300 Series stainless used on all hardware  |
| <b>Mounting Bosses</b>          | Panel mounting capability for fixed rear panel   |
| <b>Metal inserts</b>            | All bosses utilize threaded brass inserts accepting 10-32 screws                               |
| <b>Soft Edge Design</b>         | Rounded edges, minimal protrusions or exposed pocket areas for assembly of dust and debris     |
| <b>Bonded Window</b>            | Precision routed flush bonded Super Abrasion Resistant acrylic material for maximum visibility |

### HW Industry Standards

|                                   |  |
|-----------------------------------|--|
| <b>UL/cUL 50</b>                  | File E64358 Type 1, 3, 4X, 12                      |
| <b>NEMA 250</b>                   | Type 1, 3, 4X, 12                                  |
| <b>CSA Std C22.2</b>              | File LR069014 Type 1, 3, 4X, 12                    |
| <b>Temperature Range</b>          | (-76° F to +274°F) (-60°C to +134°C)               |
| <b>Flammability Rating</b>        | UL94-5V  |
| <b>Window Temperature Range</b>   | (-26°F to +170°F) (-32°C to +76°C)                 |
| <b>Window Flammability Rating</b> | UL94-HB  |
| <b>Self Extinguishing</b>         | Non-halogenated, Non-flame propagating             |
| <b>Chemical Resistance</b>        | Full chemical resistance charts listed in appendix |
| <b>NFPA No. 101 Flame Spread</b>  | Class A (1)  |

### HW Accessories

#### Back Panels

|                        |       |               |
|------------------------|-------|---------------|
| <b>Aluminum</b>        | BP_AL | pg. 149 - 150 |
| <b>Fiberglass</b>      | BP_FG | pg. 149 - 150 |
| <b>Stainless Steel</b> | BP_SS | pg. 149 - 150 |
| <b>Carbon Steel</b>    | BP_CS | pg. 149 - 150 |

#### Mounting Feet

|                      |         |
|----------------------|---------|
| <b>Mounting Feet</b> | pg. 157 |
|----------------------|---------|

#### Accessories

|                                     |               |
|-------------------------------------|---------------|
| <b>Drain &amp; Breather Vents</b>   | pg. 144, 146  |
| <b>Hole Plugs</b>                   | pg. 145       |
| <b>Assorted Hubs and Cord Grips</b> | pg. 145, 148  |
| <b>All Other Accessories</b>        | pg. 144 - 159 |

### HW Modifications

|                             |             |
|-----------------------------|-------------|
| <b>Custom Colors</b>        | pg. 12 - 13 |
| <b>Silk Screening</b>       | pg. 12 - 13 |
| <b>EMI/RFI Shielding</b>    | pg. 12 - 13 |
| <b>Custom Window</b>        | pg. 12 - 13 |
| <b>Custom Cutouts/Holes</b> | pg. 12 - 13 |



# Technical Specifications - Classic Window Series

## Flush Bonded Window "HLL" configuration - Hinged, twist latch



### HLL Construction

|                                 |  |
|---------------------------------|--|
| <b>Material</b>                 | Hot compression molded fiberglass reinforced polyester (thermoset)                             |
| <b>Gasket</b>                   | Poured polyurethane seamless gasket provides watertight, dust-tight environmental seal         |
| <b>Recessed Screws</b>          | No protruding surfaces   |
| <b>Stainless Steel Hardware</b> | 300 Series stainless used on all hardware  |
| <b>Mounting Bosses</b>          | Panel mounting capability for fixed rear panel   |
| <b>Metal inserts</b>            | All bosses utilize threaded brass inserts accepting 10-32 screws                               |
| <b>Soft Edge Design</b>         | Rounded edges, minimal protrusions or exposed pocket areas for assembly of dust and debris     |
| <b>Bonded Window</b>            | Precision routed flush bonded Super Abrasion Resistant acrylic material for maximum visibility |

### HLL Industry Standards

|                                   |  |
|-----------------------------------|--|
| <b>UL/cUL 50</b>                  | File E64358 Type 1, 3, 4X, 12                      |
| <b>NEMA 250</b>                   | Type 1, 3, 4X, 12                                  |
| <b>CSA Std C22.2</b>              | File LR069014 Type 1, 3, 4X, 12                    |
| <b>Temperature Range</b>          | (-76° F to +274°F) (-60°C to +134°C)               |
| <b>Flammability Rating</b>        | UL94-5V  |
| <b>Window Temperature Range</b>   | (-26°F to +170°F) (-32°C to +76°C)                 |
| <b>Window Flammability Rating</b> | UL94-HB  |
| <b>Self Extinguishing</b>         | Non-halogenated, Non-flame propagating             |
| <b>Chemical Resistance</b>        | Full chemical resistance charts listed in appendix |
| <b>NFPA No. 101 Flame Spread</b>  | Class A (1)  |

**NOTES:**

### HLL Accessories

#### Back Panels

|                        |       |               |
|------------------------|-------|---------------|
| <b>Aluminum</b>        | BP_AL | pg. 149 - 150 |
| <b>Fiberglass</b>      | BP_FG | pg. 149 - 150 |
| <b>Stainless Steel</b> | BP_SS | pg. 149 - 150 |
| <b>Carbon Steel</b>    | BP_CS | pg. 149 - 150 |

#### Mounting Feet

|                      |         |
|----------------------|---------|
| <b>Mounting Feet</b> | pg. 157 |
|----------------------|---------|

#### Accessories

|                                     |               |
|-------------------------------------|---------------|
| <b>Drain &amp; Breather Vents</b>   | pg. 144, 146  |
| <b>Hole Plugs</b>                   | pg. 145       |
| <b>Assorted Hubs and Cord Grips</b> | pg. 145, 148  |
| <b>All Other Accessories</b>        | pg. 144 - 159 |

### HLL Modifications

|                             |             |
|-----------------------------|-------------|
| <b>Custom Colors</b>        | pg. 12 - 13 |
| <b>Silk Screening</b>       | pg. 12 - 13 |
| <b>EMI/RFI Shielding</b>    | pg. 12 - 13 |
| <b>Custom Window</b>        | pg. 12 - 13 |
| <b>Custom Cutouts/Holes</b> | pg. 12 - 13 |

# HPL

## Technical Specifications - Classic Window Series

CLW

"HPL" configuration - Hinged, padlock latch



**NOTES:**

### HPL Construction

|                                 |  |
|---------------------------------|--|
| <b>Material</b>                 | Hot compression molded fiberglass reinforced polyester (thermoset)                             |
| <b>Gasket</b>                   | Poured polyurethane seamless gasket provides watertight, dust-tight environmental seal         |
| <b>Recessed Screws</b>          | No protruding surfaces   |
| <b>Stainless Steel Hardware</b> | 300 Series stainless used on all hardware  |
| <b>Mounting Bosses</b>          | Panel mounting capability for fixed rear panel   |
| <b>Metal inserts</b>            | All bosses utilize threaded brass inserts accepting 10-32 screws                               |
| <b>Soft Edge Design</b>         | Rounded edges, minimal protrusions or exposed pocket areas for assembly of dust and debris     |
| <b>Bonded Window</b>            | Precision routed flush bonded Super Abrasion Resistant acrylic material for maximum visibility |

### HPL Industry Standards

|                                   |  |
|-----------------------------------|--|
| <b>UL/cUL 50</b>                  | File E64358 Type 1, 3, 4X, 12                      |
| <b>NEMA 250</b>                   | Type 1, 3, 4X, 12                                  |
| <b>CSA Std C22.2</b>              | File LR069014 Type 1, 3, 4X, 12                    |
| <b>Temperature Range</b>          | (-76° F to +274°F) (-60°C to +134°C)               |
| <b>Flammability Rating</b>        | UL94-5V  |
| <b>Window Temperature Range</b>   | (-26°F to +170°F) (-32°C to +76°C)                 |
| <b>Window Flammability Rating</b> | UL94-HB  |
| <b>Self Extinguishing</b>         | Non-halogenated, Non-flame propagating             |
| <b>Chemical Resistance</b>        | Full chemical resistance charts listed in appendix |
| <b>NFPA No. 101 Flame Spread</b>  | Class A (1)  |

### HPL Accessories

#### Back Panels

|                        |       |               |
|------------------------|-------|---------------|
| <b>Aluminum</b>        | BP_AL | pg. 149 - 150 |
| <b>Fiberglass</b>      | BP_FG | pg. 149 - 150 |
| <b>Stainless Steel</b> | BP_SS | pg. 149 - 150 |
| <b>Carbon Steel</b>    | BP_CS | pg. 149 - 150 |

#### Mounting Feet

|                      |         |
|----------------------|---------|
| <b>Mounting Feet</b> | pg. 157 |
|----------------------|---------|

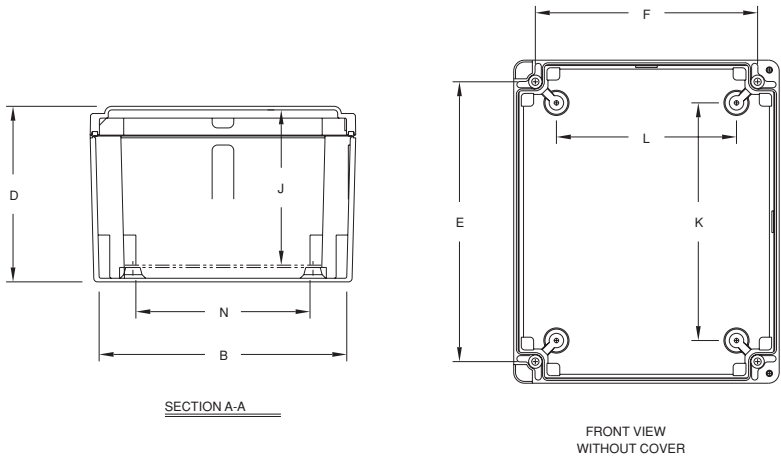
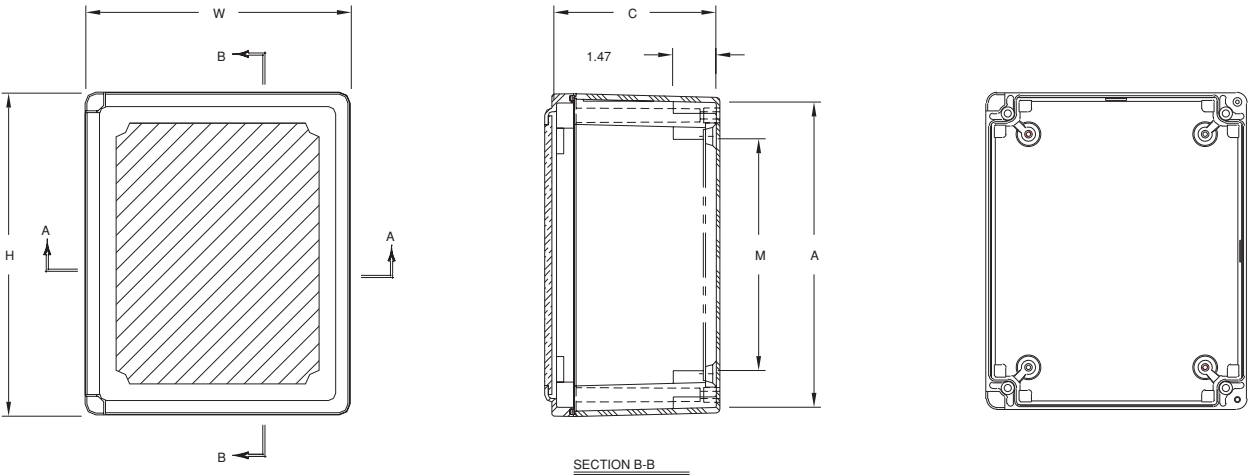
#### Accessories

|                                     |               |
|-------------------------------------|---------------|
| <b>Drain &amp; Breather Vents</b>   | pg. 144, 146  |
| <b>Hole Plugs</b>                   | pg. 145       |
| <b>Assorted Hubs and Cord Grips</b> | pg. 145, 148  |
| <b>All Other Accessories</b>        | pg. 144 - 159 |

### HPL Modifications

|                             |             |
|-----------------------------|-------------|
| <b>Custom Colors</b>        | pg. 12 - 13 |
| <b>Silk Screening</b>       | pg. 12 - 13 |
| <b>EMI/RFI Shielding</b>    | pg. 12 - 13 |
| <b>Custom Window</b>        | pg. 12 - 13 |
| <b>Custom Cutouts/Holes</b> | pg. 12 - 13 |

Classic Window Series Technical Drawings



## Classic Window Series Flush Bonded Window Enclosures

### Classic Window Series Flush Bonded Window Enclosures

| SIZE ID NUMBER                                    | OVERALL H X W X D                         | INSIDE A X B X C                          | WINDOW AREA [MAXIMUM]        | MOUNTING E X F               | J             | K              | L              | M              | N              | SHIPPING WEIGHT | PANEL NUMBER |
|---|---|---|------------------------------|------------------------------|---------------|----------------|----------------|----------------|----------------|-----------------|--------------|
| CLW707HW<br>CLW707HPL                             | 7.21 x 7.21 x 5.09<br>(183 x 183 x 129)   | 6.65 x 6.65 x 4.84<br>(169 x 169 x 123)   | 5.06 x 5.06<br>(129 x 129)   | 5.71 x 5.71<br>(145 x 145)   | 4.39<br>(111) | 4.25<br>(108)  | 4.25<br>(108)  | 4.04<br>(103)  | 4.04<br>(103)  | 4 lbs.          | BP66*        |
| CLW907HW<br>CLW907HPL                             | 9.21 x 7.21 x 5.09<br>(234 x 183 x 129)   | 8.59 x 6.59 x 4.84<br>(218 x 167 x 123)   | 7.06 x 5.06<br>(179 x 129)   | 7.71 x 5.71<br>(196 x 145)   | 4.39<br>(111) | 6.25<br>(159)  | 4.25<br>(108)  | 6.04<br>(154)  | 4.04<br>(103)  | 4.3 lbs.        | BP86*        |
| CLW1109HW<br>CLW1109HPL                           | 11.21 x 9.21 x 6.09<br>(285 x 234 x 155)  | 10.59 x 8.59 x 5.84<br>(269 x 218 x 148)  | 9.06 x 7.06<br>(230 x 179)   | 9.71 x 7.71<br>(247 x 196)   | 5.39<br>(137) | 8.25<br>(210)  | 6.25<br>(159)  | 8.04<br>(204)  | 6.04<br>(154)  | 6 lbs.          | BP108*       |
| CLW1311W<br>CLW1311HW<br>CLW1311HLL<br>CLW1311HPL | 13.21 x 11.21 x 6.59<br>(336 x 285 x 167) | 12.59 x 10.59 x 6.34<br>(320 x 269 x 161) | 11.06 x 9.06<br>(281 x 230)  | 11.71 x 9.71<br>(298 x 247)  | 5.89<br>(150) | 10.25<br>(260) | 8.25<br>(210)  | 10.04<br>(255) | 8.04<br>(204)  | 7.8 lbs.        | BP1210*      |
| CLW1513HW<br>CLW1513HLL<br>CLW1513HPL             | 15.21 x 13.21 x 7.09<br>(386 x 336 x 180) | 14.55 x 12.55 x 6.84<br>(370 x 319 x 174) | 13.06 x 11.06<br>(332 x 281) | 13.71 x 11.71<br>(348 x 298) | 6.39<br>(162) | 12.25<br>(311) | 10.25<br>(260) | 12.04<br>(306) | 10.04<br>(255) | 11.6 lbs.       | BP1412*      |

Note: Hinge Short Side available; consult factory for details.

All measures are in inches, items in parentheses are in millimeters.

\*Panel ordered separately.