

Catalog Number • Numéro de Catalogue • Número de Catálogo: CA-1

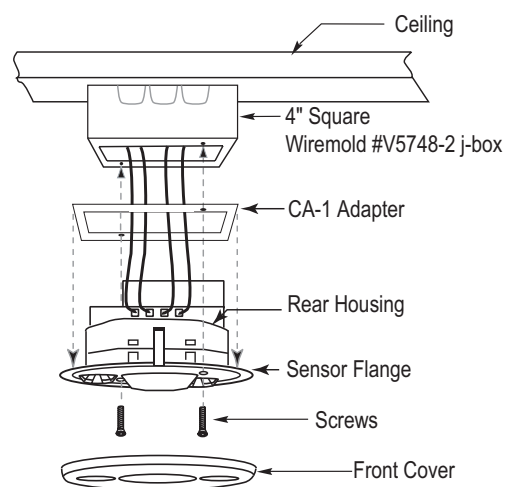
Country of Origin: Made in China • Pays d'origine: Fabriqué en Chine • País de origen: Hecho en China

DESCRIPTION

Use the CA-1 when installing a low-profile circular ceiling mounted sensor (such as the DT-355, CI-355, or UT-355 models) in a 4" square Wiremold V5748-2 j-box on a hard ceiling, or in the opening of a mudring for a drop ceiling. The CA-1 provides a finished look by filling in the spaces at the corners, and covering the unused holes.

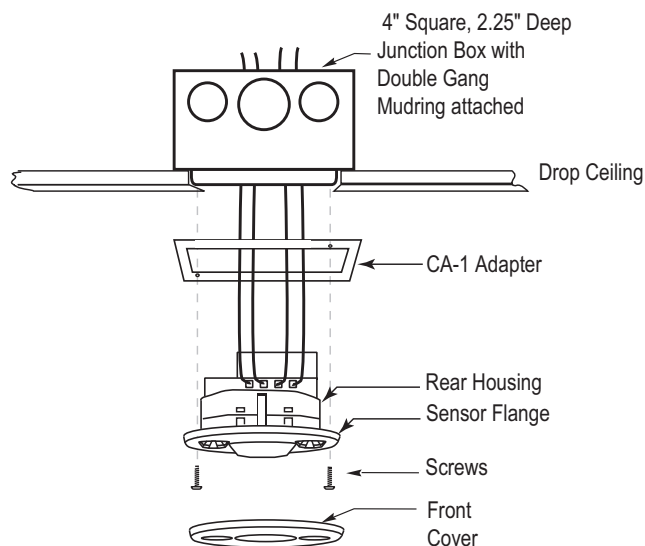
INSTALLATION ON A HARD CEILING

1. Pull wires through the opening in the mounting site.
2. Maneuver the CA-1 over the sensor's rear housing so that the CA-1 is flush with the sensor flange.
3. Wire to sensor terminals per sensor instructions.
4. For each of the two small recessed mounting holes on the front of the sensor flange, insert a screw (provided with the sensor) through the flange, through the CA-1 mounting hole, and into the square box.
5. Tighten the screws and snap the front cover onto the sensor.



INSTALLATION ON A DROP CEILING

1. Pull sensor wires into the j-box.
2. Attach the mudring to the j-box.
3. Pull sensor wires through the opening in the mudring.
4. Maneuver the CA-1 over the sensor's rear housing so that the CA-1 is flush with the sensor flange.
5. Wire to sensor terminals per sensor instructions.
6. For each of the two small recessed mounting holes on the front of the sensor flange, insert a screw (provided with the sensor) through the flange, through the CA-1 mounting hole, and into the holes in the mudring.
7. Tighten the screws and snap the front cover onto the sensor.



WARRANTY INFORMATION

Wattstopper warrants its products to be free of defects in materials and workmanship for a period of five (5) years. There are no obligations or liabilities on the part of Wattstopper for consequential damages arising out of, or in connection with, the use or performance of this product or other indirect damages with respect to loss of property, revenue or profit, or cost of removal, installation or reinstallation.

INFORMATIONS RELATIVES À LA GARANTIE

Wattstopper garantit que ses produits sont exempts de défauts de matériaux et de fabrication pour une période de cinq (5) ans. Wattstopper ne peut être tenu responsable de tout dommage consécutif causé par ou lié à l'utilisation ou à la performance de ce produit ou tout autre dommage indirect lié à la perte de propriété, de revenus, ou de profits, ou aux coûts d'enlèvement, d'installation ou de réinstallation.

INFORMACIÓN DE LA GARANTÍA

Wattstopper garantiza que sus productos están libres de defectos en materiales y mano de obra por un período de cinco (5) años. No existen obligaciones ni responsabilidades por parte de Wattstopper por daños consecuentes que se deriven o estén relacionados con el uso o el rendimiento de este producto u otros daños indirectos con respecto a la pérdida de propiedad, renta o ganancias, o al costo de extracción, instalación o reinstalación.
