



9' Chain Mounting Set for ILH Units

CONSTRUCTION:

- "Y" hanger
- Pre-drilled holes in fixture housing

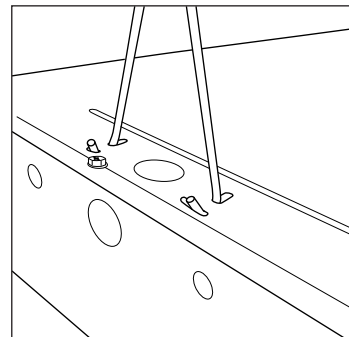
SPECIFICATIONS:

- Length: 9' (2.7432 m)

ORDERING INFORMATION

Catalog #	Description	Std. Pkg.
CH36	Chain & Hanger Set	1
CH36-O	Chain Set Only	1

Project Information
Job Name
Catalog Number CH36
Approved by



ATLAS LIGHTING PRODUCTS, INC.

PO BOX 2348 | BURLINGTON, NC 27216

800-849-8485 | FAX: 336-227-0110 | www.atlaslightingproducts.com

9' Chain Mounting Set for ILH Units

CONSTRUCTION:

- "Y" hanger
- Pre-drilled holes in fixture housing

SPECIFICATIONS:

- Length: 9' (2.7432 m)

ORDERING INFORMATION

Catalog #	Description	Std. Pkg.
CH36	Chain & Hanger Set	1
CH36-O	Chain Set Only	1

Project Information

Job Name

Catalog Number CH36

Approved by

