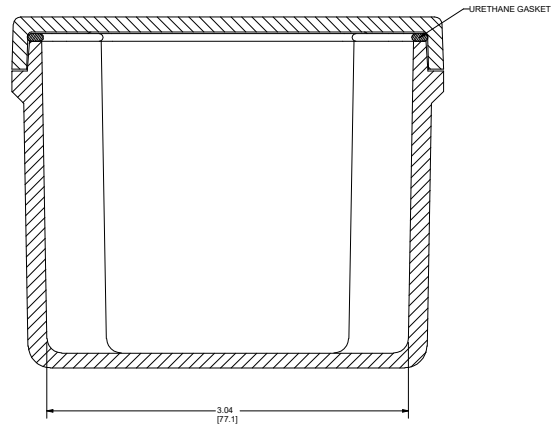
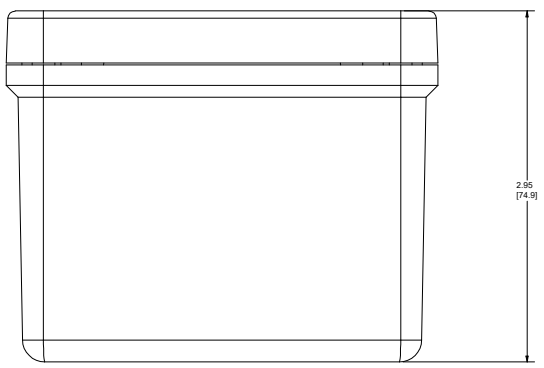
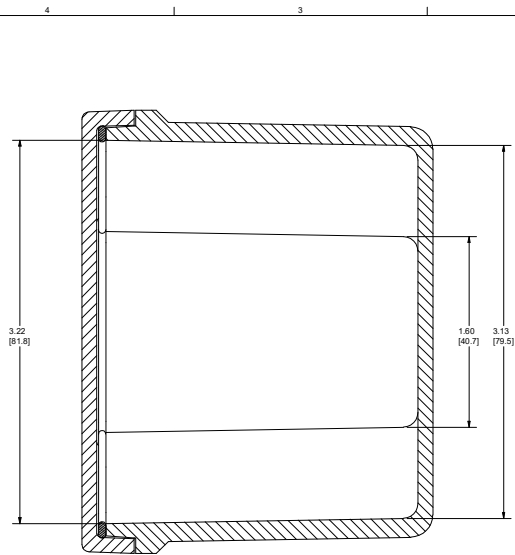
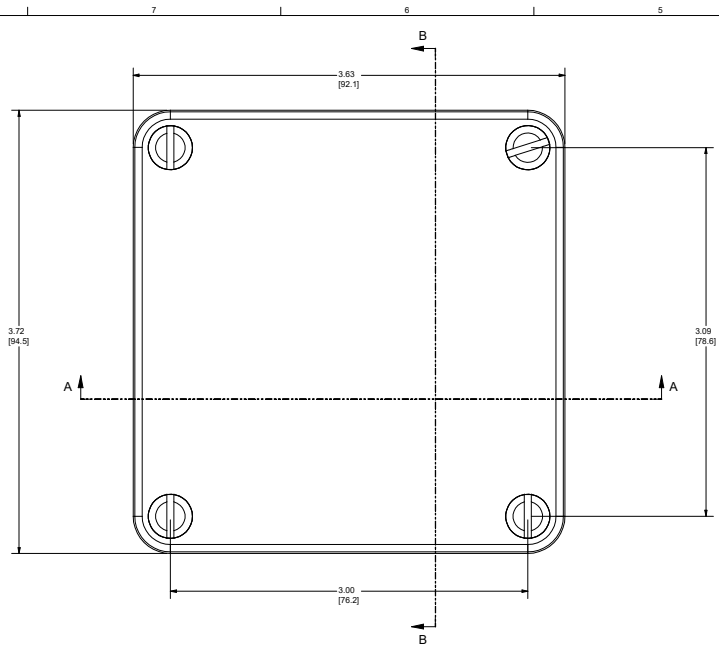


SECTION B-B

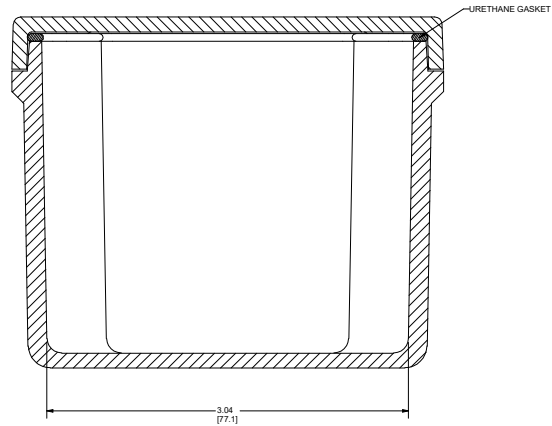
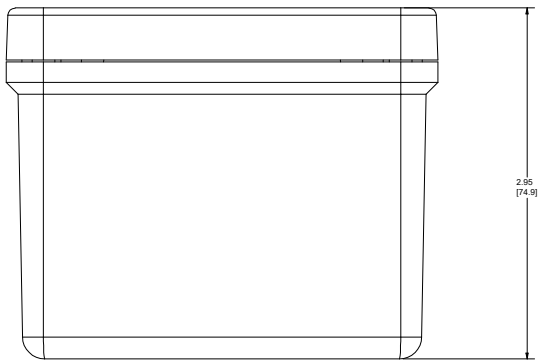


SECTION A-A

NOTES		1. 35. 44. 66. 12		ALL DIMENSIONS ARE INCHES (MILLIMETERS) UNLESS SPECIFIED		TOLERANCES xx ± 0.03(0.79) xxx ± 0.010 (0.25)	
MATERIAL		COLOR GLASSER GRAY BR1813		DR. BY		DATE	
FR POLYESTER FIBERGLASS				10/29/2007		10/29/2007	
LTN	REVISION RECORD	DATE	BY	CHK	DATE		
-	-	-	-	-	-	BELDING MICHIGAN 48809	
THIS DRAWING AND THE INFORMATION HEREON ARE OUR PROPERTY AND MAY BE USED BY OTHERS ONLY AS AUTHORIZED BY STS AND ENCLOSURES DIVISION OF FERRIS INDUSTRIES. ALL RIGHTS RESERVED UNDER THE COPYRIGHT LAWS.				APD. BY		DATE	
						CUSTOMER	
				SCALE		PART NAME	
				DO NOT SCALE		PART NO.	
						CF332	
						SHT 1 OF 1	



SECTION B-B



SECTION A-A

NOTES		1. 35. 44. 66. 12		ALL DIMENSIONS ARE INCHES (MILLIMETERS) UNLESS SPECIFIED		TOLERANCES xx ± 0.03(0.79) xxx ± 0.010 (0.25)	
MATERIAL		COLOR GLASSER GRAY BR1813		DR. BY		DATE	
FR POLYESTER FIBERGLASS				10/29/2007			
LTN	REVISION RECORD	DATE	BY	CHK	DATE		
-	-	-	-	-	-	BELDING, MICHIGAN 48809	
THIS DRAWING AND THE INFORMATION HEREON ARE OUR PROPERTY AND MAY BE USED BY OTHERS ONLY AS AUTHORIZED BY STS AND ENCLOSURES DIVISION OF BELDING INDUSTRIES. ALL RIGHTS RESERVED UNDER THE COPYRIGHT LAWS.				APD. BY	DATE	CUSTOMER	SHT 1 OF 1
				SCALE		PART NAME	PART NO.
				DO NOT SCALE			CF332