

BURNDY POOL WATER BONDING KITS			
APPLICATION	CATALOG NUMBER	ITEM NUMBER	"UPC" CODE
IN GROUND	BWB680IG	10110593	78181049868
ABOVE GROUND	BWB680AG	10110592	78181049867

REV	DATE	DESCRIPTION	ECO	BY	C'H'K.
C	07/14/2020	REDRAWN IN INVENTOR AND BWB680IG DETAILS SHOWN	53863	PB	RG

INCLUDED IN KIT : ONE BONDING PLATE (STAINLESS STEEL), ONE RUBBER SEALING WASHER, TWO FLAT WASHERS, TWO LOCK WASHERS, TWO NUTS AND ONE BURNDY "CL501TN"

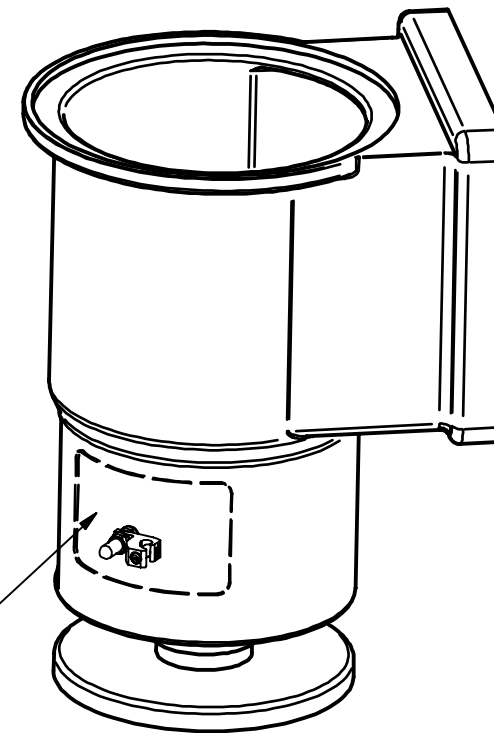
IMPORTANT SAFETY INSTRUCTIONS:

THE INTEGRITY OF THE BONDED CONNECTION SHOULD BE PERIODICALLY INSPECTED.

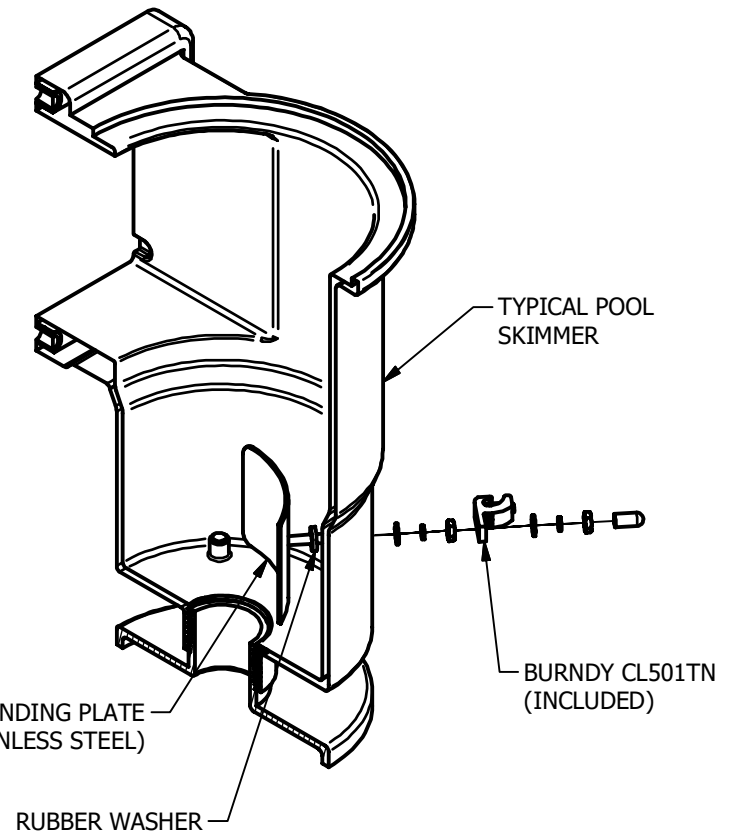
INSTRUCTIONS FOR INSTALLATION:

- FIRST, DRILL A 3/16 INCH HOLE IN THE REAR OF THE SKIMMER CASING WHERE THE SKIMMER BASKET IS HELD. LOCATE THE BONDING PLATE AS CLOSE TO THE BOTTOM OF SKIMMER CASING AS POSSIBLE ALLOWING FOR ENOUGH ROOM INSIDE OF THE SKIMMER FOR THE BONDING PLATE.
- PLACE THE RUBBER WASHER ON THE BASE OF THE THREADED STUD ON THE BONDING PLATE.
- PUSH THREADED STUD THROUGH THE 3/16 INCH HOLE PREVIOUSLY DRILLED.
- SECURE WITH A FLAT WASHER, LOCK WASHER AND NUT IN THAT ORDER. "CAUTION: DO NOT OVER TIGHTEN"
- USE THE REMAINING FLAT WASHER AND NUT TO SECURE THE BONDING LUG.
- LAST, CONNECT SOLID COPPER WIRE, NOT SMALLER THAN NO. 8 AWG TO THE BONDING LUG. THE COPPER WIRE SHOULD ALSO CONNECT TO MOTOR AND ALL METAL PARTS OF THE SWIMMING POOL WITHIN 5 FEET OF THE INSIDE WALL OF THE SWIMMING POOL.

INSULATED VIEW

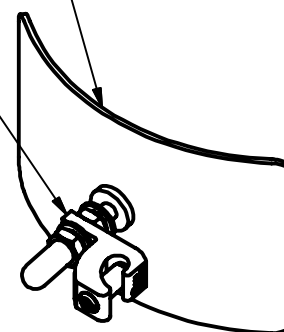


CUTAWAY VIEW

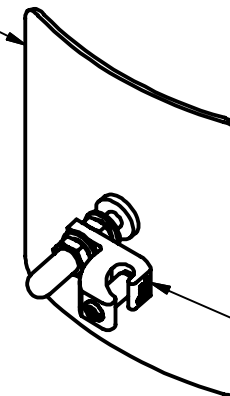


BONDING PLATE (STAINLESS STEEL)

BURNDY CL501TN (INCLUDED)



BWB680AG HORIZONTAL PLATE



BWB680IG VERTICAL PLATE

TO ORDER BURNDY® PRODUCTS CALL
 UNITED STATES
 1-800-346-4175 (LONDONDERRY, NH)
 CANADA:
 1-800-361-6975 (QUEBEC)
 1-800-387-6487 (ALL OTHER PROVINCES)
 FOR PRODUCT INFO: <http://www.burndy.com>

POOL WATER BONDING KITS			
ITEM NO: SEE TABLE			
CAT. NO: SEE TABLE			
DRAWN BY: A.MONTMINY	06/09/2010		DRAWING NO
CHECKER: P.THERRIEN			
DSN APRVL: A.MONTMINY	06/10/2010		
MFG APRVL: --			
QA APRVL: T.WATTS	06/10/2010		
MKT APRVL: K.ROBICHEAU	06/10/2010	REV	
PROD FAM: --		PROJECT #:	SIZE
		30000073	B
DOCUMENT TYPE: SALES		SHEET 1 OF 1	C
REL LEVEL: Released			