

BURNDY POOL WATER BONDING KITS			
APPLICATION	CATALOG NUMBER	ITEM NUMBER	"UPC" CODE
IN GROUND	BWB680IG	10110593	78181049868
ABOVE GROUND	BWB680AG	10110592	78181049867

REV.	DATE	DESCRIPTION	ECO	BY	C.H.K.
B	8/11/2010 9:05:00 AM	ADDED STAINLESS STEEL TO BONDING PLATE DESCRIPTION	21842	ATM	ATM

INCLUDED IN KIT: ONE BONDING PLATE (STAINLESS STEEL), ONE RUBBER SEALING WASHER TWO FLAT WASHERS, TWO LOCKWASHERS, TWO NUTS AND ONE BURNDY "CL501TN"

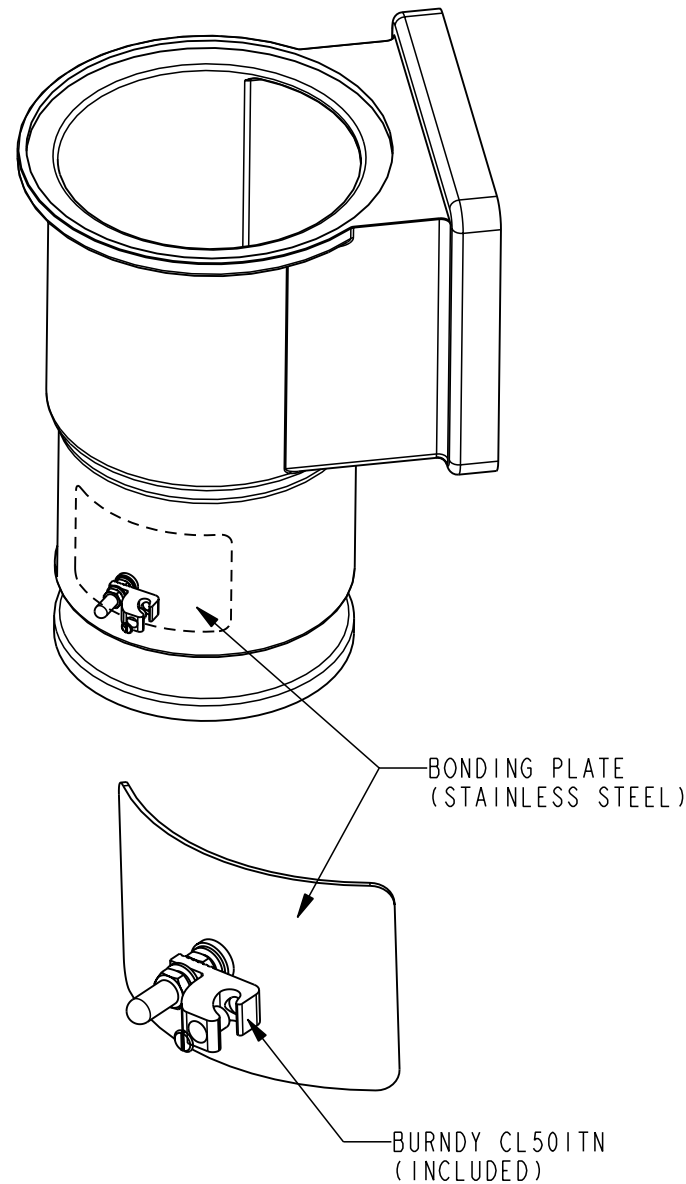
IMPORTANT SAFETY INSTRUCTIONS

THE INTEGRITY OF THE BONDED CONNECTION SHOULD BE PERIODICALLY INSPECTED.

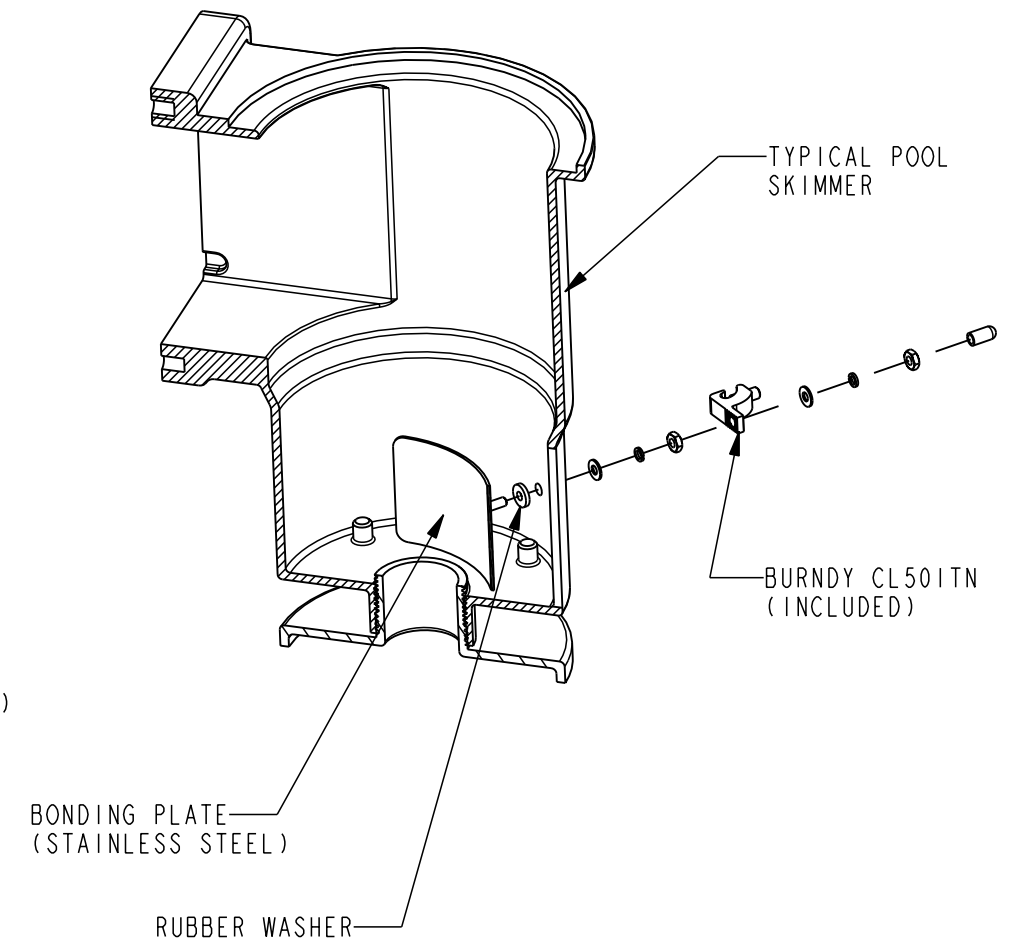
INSTRUCTIONS FOR INSTALLATION:

- FIRST, DRILL A 3/16 INCH HOLE IN THE REAR OF THE SKIMMER CASING WHERE THE SKIMMER BASKET IS HELD. LOCATE THE BONDING PLATE AS CLOSE TO THE BOTTOM OF SKIMMER CASING AS POSSIBLE ALLOWING FOR ENOUGH ROOM INSIDE OF THE SKIMMER FOR THE BONDING PLATE.
- PLACE THE RUBBER WASHER ON THE BASE OF THE THREADED STUD ON THE BONDING PLATE.
- PUSH THREADED STUD THROUGH THE 3/16 INCH HOLE PREVIOUSLY DRILLED.
- SECURE WITH A FLAT WASHER, LOCK WASHER AND NUT IN THAT ORDER. "CAUTION: DO NOT OVER TIGHTEN"
- USE THE REMAINING FLAT WASHER AND NUT TO SECURE THE BONDING LUG.
- LAST, CONNECT SOLID COPPER WIRE, NOT SMALLER THAN NO. 8 AWG TO THE BONDING LUG. THE COPPER WIRE SHOULD ALSO CONNECT TO MOTOR AND ALL METAL PARTS OF THE SWIMMING POOL WITHIN 5 FEET OF THE INSIDE WALL OF THE SWIMMING POOL.

INSTALLED VIEW



CUTAWAY VIEW



REV: PE0200

TO ORDER BURNDY® PRODUCTS CALL		POOL WATER BONDING KITS	
UNITED STATES:		ITEM NO: SEE TABLE	
1-800-346-4175 (LONDONDERRY, NH)		CAT. NO: SEE TABLE	
CANADA:		DRAWN BY: A MONTMINY 06/09/2010	
1-800-361-6975 (QUEBEC)		CHECKER: P THERRIEN --	
1-800-387-6487 (ALL OTHER PROVINCES)		DSN APPVL: A MONTMINY 06/10/2010	
FOR PRODUCT INFO: http://www.burndy.com		MFG APPVL: --	
		QA APPVL: T WATTS 06/10/2010	
		MKT APPVL: K ROBICHAU 06/10/2010	
		SCALE: 1:1	
		DRAWING NO	
		PROJECT #: --	
		SIZE	
		B	
		DOCUMENT TYPE: Sales	
		30000073	
		REL LEVEL: Released	
		SHEET 1 OF 1	
		REV	
		B	

