

DRAWING NO.
SC210991

CATALOG NO.	WIRE RANGE (AWG/kcmil)	L	W	H	HEX KEY	N	TORQUE IN/LB
BISR2	#14-2	2.38 [60]	.75 [19]	1.22 [31]	5/32	2	100
BISR1/0	#14-1/0	2.91 [74]	.91 [23]	1.38 [35]	3/16	2	120
BISR250	#10-250	4.01 [102]	1.19 [30]	2.10 [53]	5/16	2	275
BISR350	#10-350	4.63 [118]	1.34 [34]	2.35 [60]	5/16	2	
BISR500	#6-500	5.00 [127]	1.62 [41]	2.62 [67]	3/8	2	375

REV	DATE	DESCRIPTION	ECO	BY	C'H'K.
C	12/13/2012 00:00:00 AM	TORQUE INFORMATION ADDED	29767	RG	MA

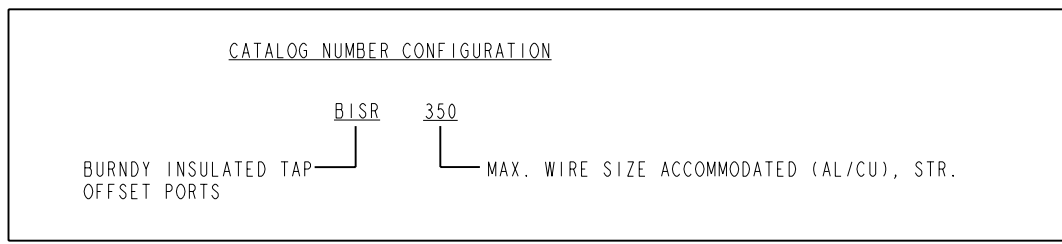
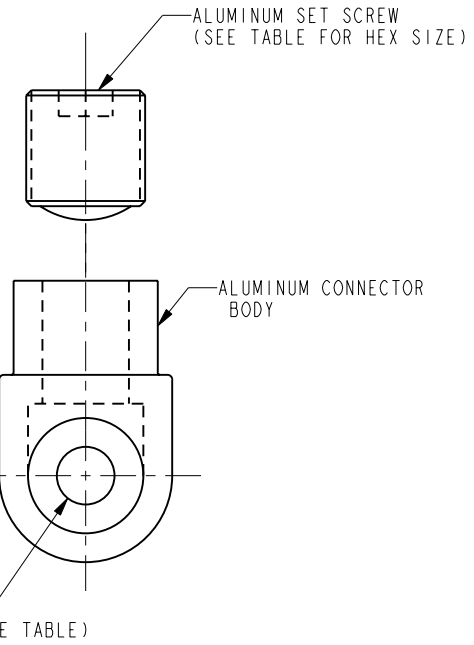
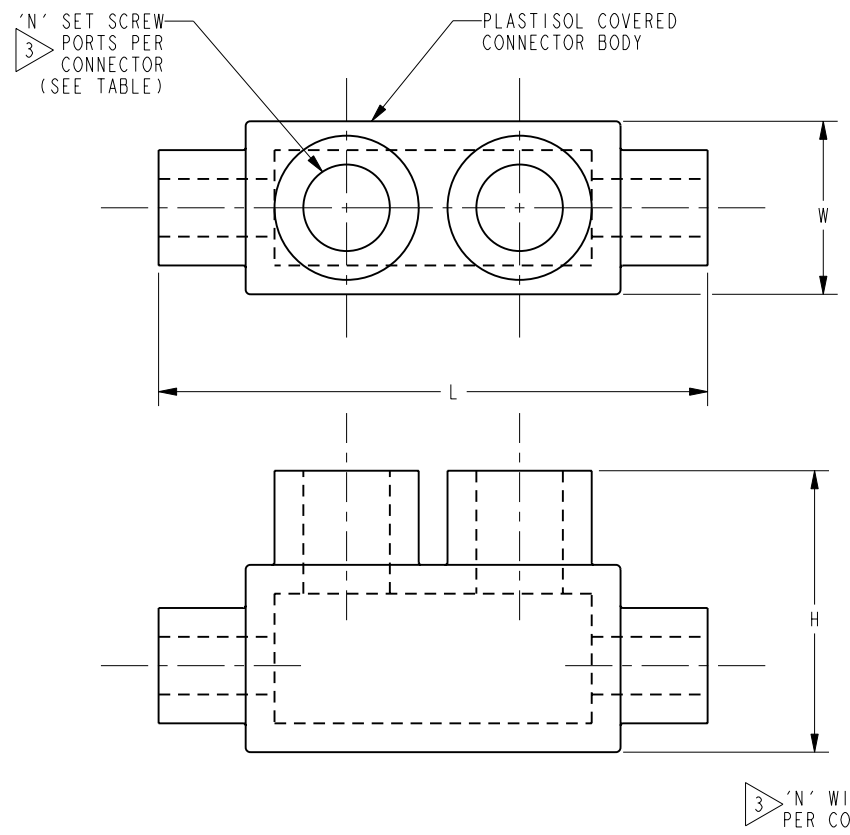
D

C

B

A

FEATURES	BENEFITS
PLASTISOL COVERED AL6061-T6 BODY	SAVES TIME, LOWERS INSTALLATION COSTS, ELIMINATES TAPING.
CLEAR PLASTISOL	ALLOWS VISUAL CONFIRMATION THAT CONDUCTOR IS PROPERLY INSERTED.
OXIDE-INHIBITOR IS PRE-INSTALLED	INHIBITS MOISTURE AND CONTAMINANTS FROM ENTERING THE CONTACT AREA
RANGE-TAKING	REDUCES THE NUMBER OF CONNECTORS CARRIED IN INVENTORY



NOTES:

- THIS DRAWING TO BE INTERPRETED PER ASME Y14.5M-1994.
- CONNECTORS ARE SUPPLIED INDIVIDUALLY LABELED. LABEL INFORMATION INCLUDES CATALOG NUMBER, QUANTITY, AND BARCODE.
- END CAPS INSTALLED ON WIRE PORTS AND SET SCREW PORTS.
- ALL CONNECTORS UL LISTED, CSA CERTIFIED FOR AL9CU, 90°C APPLICATIONS.
- DIMENSIONS IN BRACKETS [] ARE IN MILLIMETERS ROUNDED OFF TO THE NEAREST MILLIMETERS, UNLESS OTHERWISE NOTED, AND ARE FOR REFERENCE ONLY.

TO ORDER BURNDY® PRODUCTS CALL

UNITED STATES:
1-800-346-4175 (LONDONDERRY, NH)

CANADA:
1-800-361-6975 (QUEBEC)
1-800-387-6487 (ALL OTHER PROVINCES)

FOR PRODUCT INFO: <http://www.burndy.com>

UNITAP™ - PLASTISOL COVERED WIRE CONNECTORS	
ITEM NO: N/A	
CAT. NO: BISR-, SERIES	
DRAWN BY: J AYER	3/21/97
CHECKER: C CHADBOURNE	7/21/97
DSN APPVL: C CHADBOURNE	7/21/97
MFG APPVL: --	--
QA APPVL: J BRODEUR	7/28/97
MKT APPVL: P WERTHMAN	7/24/97
PROD FAM: --	SCALE: NTS
PROJECT #: --	DRAWING NO
DOCUMENT TYPE: Sales	SC210991
REL LEVEL: Released	SHEET 3 OF 15



REV: PE0200

4

3

2

1