

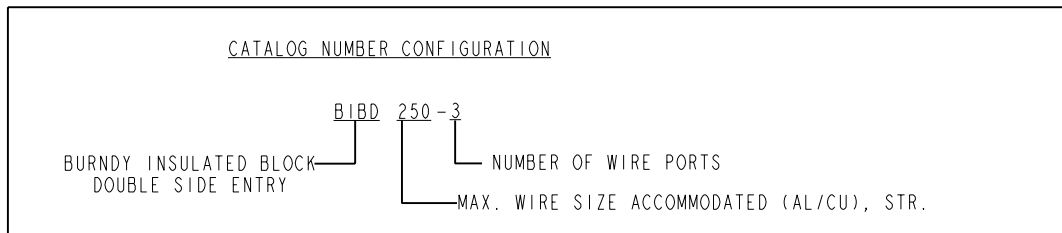
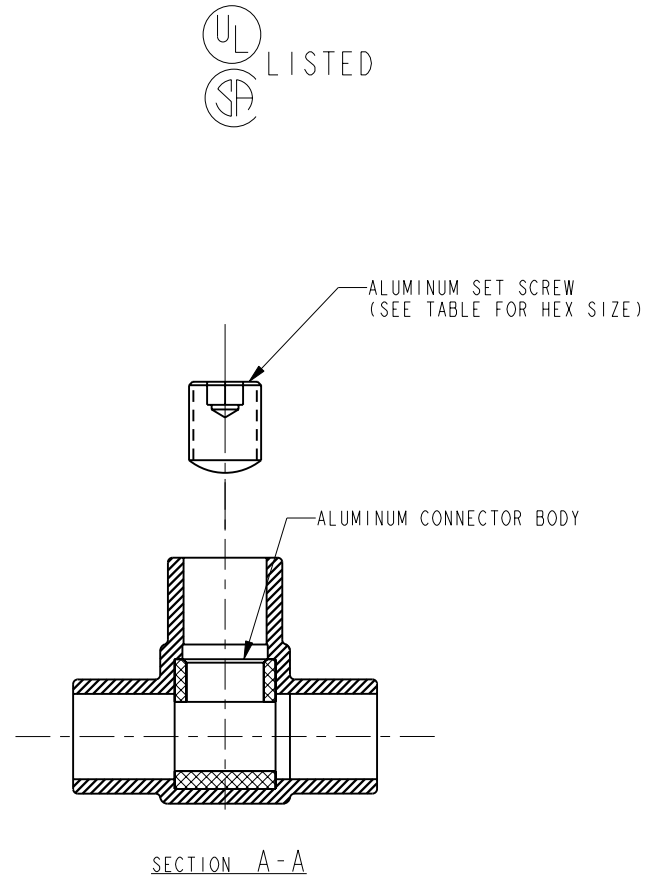
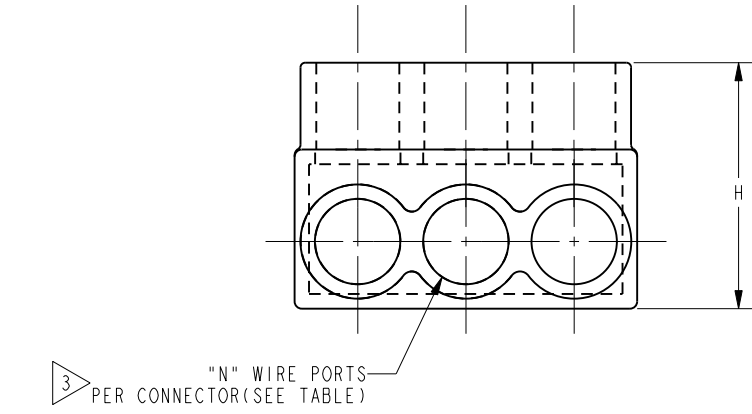
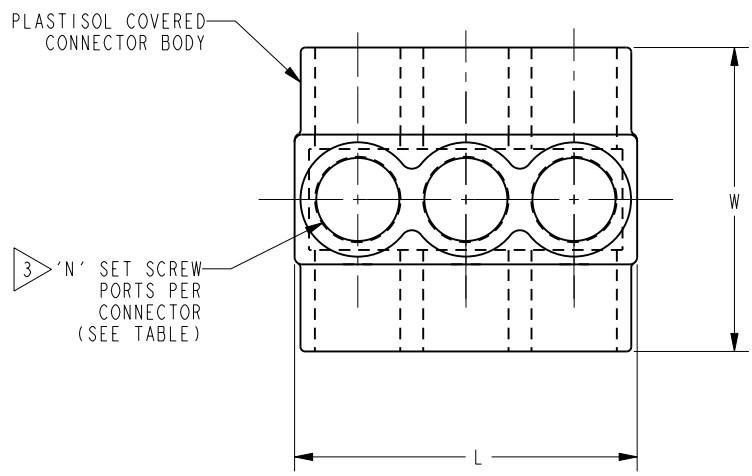
DRAWING NO.
SC210991

CATALOG NO.	WIRE RANGE (AWG/kcmil)	L	W	H	HEX KEY	N
BIBD250-2	#10-250	2.03 [52]	2.64 [67]	2.13 [54]	5/16	2
BIBD250-3	#10-250	2.97 [75]	2.64 [67]	2.13 [54]	5/16	3
BIBD250-4	#10-250	3.91 [99]	2.64 [67]	2.13 [54]	5/16	4
BIBD250-5	#10-250	4.84 [123]	2.64 [67]	2.13 [54]	5/16	5
BIBD250-6	#10-250	5.78 [147]	2.64 [67]	2.13 [54]	5/16	6
BIBD250-8	#10-250	7.66 [195]	2.64 [67]	2.13 [54]	5/16	8
BIBD250-10	#10-250	9.53 [242]	2.64 [67]	2.13 [54]	5/16	10
BIBD250-12	#10-250	11.41 [290]	2.64 [67]	2.13 [54]	5/16	12
BIBD250-14	#10-250	13.29 [338]	2.64 [67]	2.13 [54]	5/16	14

FEATURES	BENEFITS
PLASTISOL COVERED AL6061-T6 BODY	SAVES TIME, LOWERS INSTALLATION COSTS, ELIMINATES TAPING.
CLEAR PLASTISOL	ALLOWS VISUAL CONFIRMATION THAT CONDUCTOR IS PROPERLY INSERTED.
OXIDE-INHIBITOR IS PRE-INSTALLED	INHIBITS MOISTURE AND CONTAMINANTS FROM ENTERING THE CONTACT AREA
RANGE-TAKING	REDUCES THE NUMBER OF CONNECTORS CARRIED IN INVENTORY

- NOTES:
- THIS DRAWING TO BE INTERPRETED PER ASME Y14.5M-1994.
 - CONNECTORS ARE SUPPLIED INDIVIDUALLY LABELED. LABEL INFORMATION INCLUDES CATALOG NUMBER, QUANTITY, AND BARCODE.
 - END CAPS INSTALLED ON WIRE PORTS AND SET SCREW PORTS.
 - ALL CONNECTORS UL LISTED, CSA CERTIFIED FOR AL9CU, 90°C APPLICATIONS.
 - DIMENSIONS IN BRACKETS [] ARE IN MILLIMETERS ROUNDED OFF TO THE NEAREST MILLIMETER, UNLESS OTHERWISE NOTED, AND ARE FOR REFERENCE ONLY.
 - TORQUE SET SCREWS TO 275 IN/LB

REV	DATE	DESCRIPTION	ECO	BY	C'H'K.
B	12/13/2012 00:00:00 AM	TORQUE INFORMATION ADDED	29767	RG	MA



TO ORDER BURNDY® PRODUCTS CALL

UNITED STATES:
1-800-346-4175 (LONDONDERRY, NH)

CANADA:
1-800-361-6975 (QUEBEC)
1-800-387-6487 (ALL OTHER PROVINCES)

FOR PRODUCT INFO: <http://www.burndy.com>

UNITAP™- PLASTISOL COVERED WIRE CONNECTORS

ITEM NO: N/A

CAT. NO: BIBD250-, SERIES

DRAWN BY: J AYER 3/21/97

CHECKER: C CHADBOURNE 7/21/97

DSN APPVL: C CHADBOURNE 7/21/97

MFG APPVL: --

QA APPVL: J BRODEUR 7/28/97

MKT APPVL: P WERTHMAN 7/24/97

SCALE: NTS

PROJ FAM: --

PROJECT #: --

DOCUMENT TYPE: Sales

REL LEVEL: Released

DRAWING NO: SC210991

REV: B

SHEET 6 OF 15

BURNDY

REV: PE0200