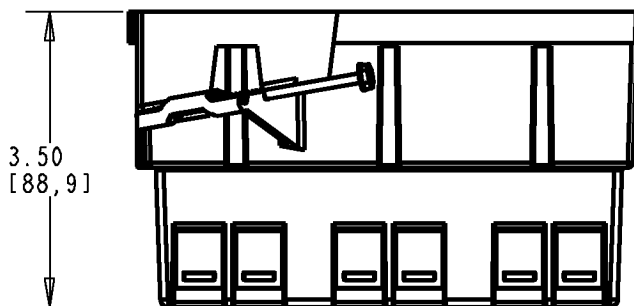
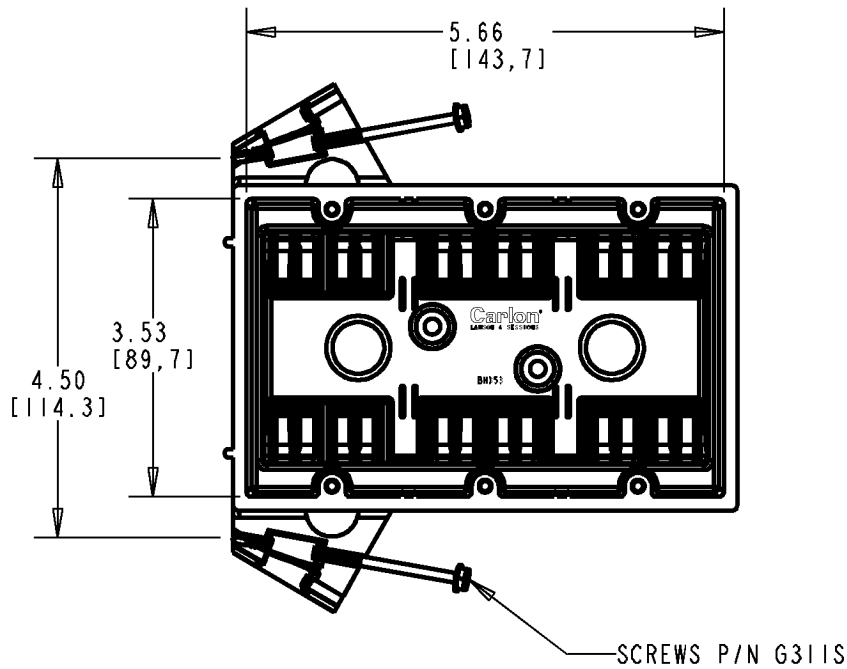
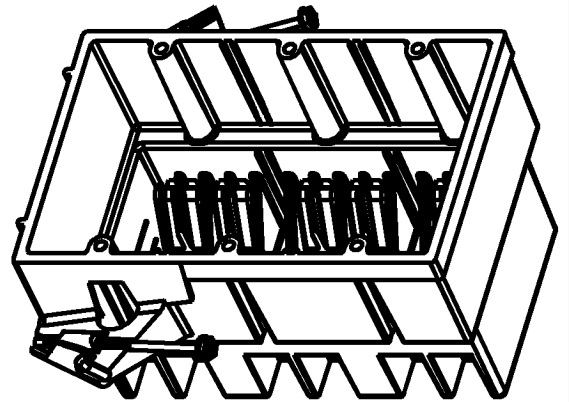


# Carlton®



WIRE GA. / CONDUCTORS

26 / 14

23 / 12

20 / 10

P/N BH353S

### GENERAL NOTES

1. ALL DIMENSIONS ARE FOR REFERENCE ONLY.
2. DIMENSIONS IN BRACKETS [ ] ARE IN METRIC UNITS.

### REVISIONS

\*\* SEE ERN ( \*\*\*\* ) FOR APPROVAL SIGNATURES & RELEASE DATE.  
PROJECT NO: \*\*\*\*

**Thomas & Betts**  
www.tnb.com

DESCRIPTION: **3 GANG SUPER BLUE  
OUTLET & SWITCH BOX - 52 CU. IN. VOL.**

ORIGINAL PROJECT NO / ( ERN NO )

/ ( )

SHEET NO:

1 OF 2

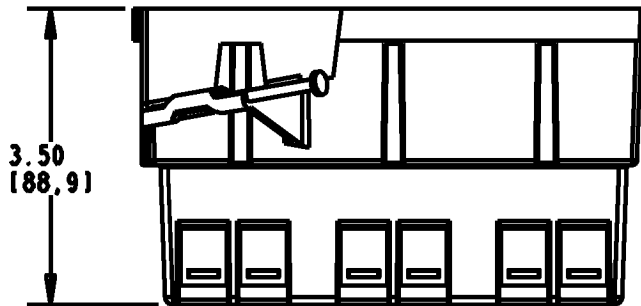
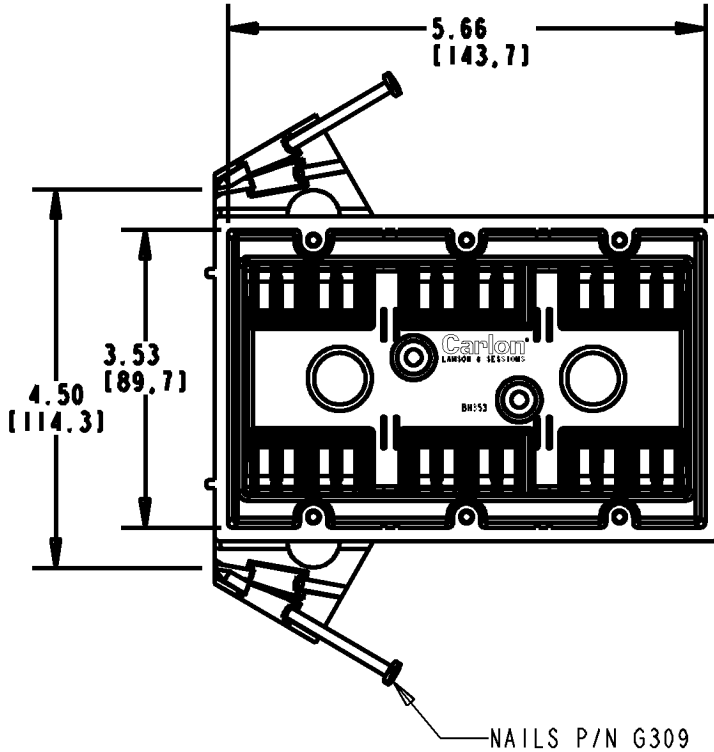
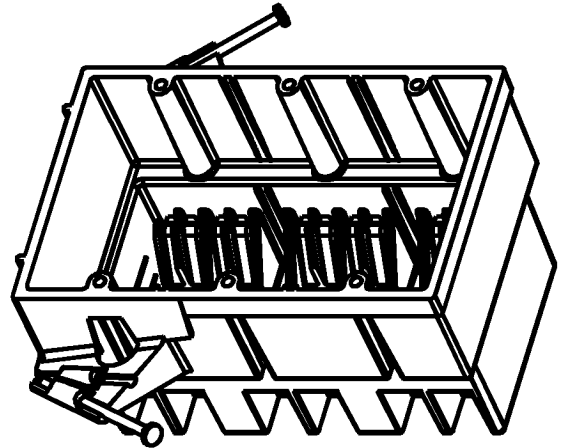
REV. NO:

B

DRAWING NO:

WSD-AC03644

# Carlton®



WIRE GA. / CONDUCTORS

26 / 14  
23 / 12  
20 / 10

P/N BH353A

**Thomas & Betts**  
www.tnb.com

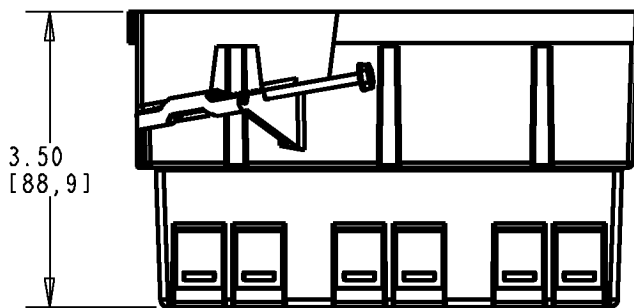
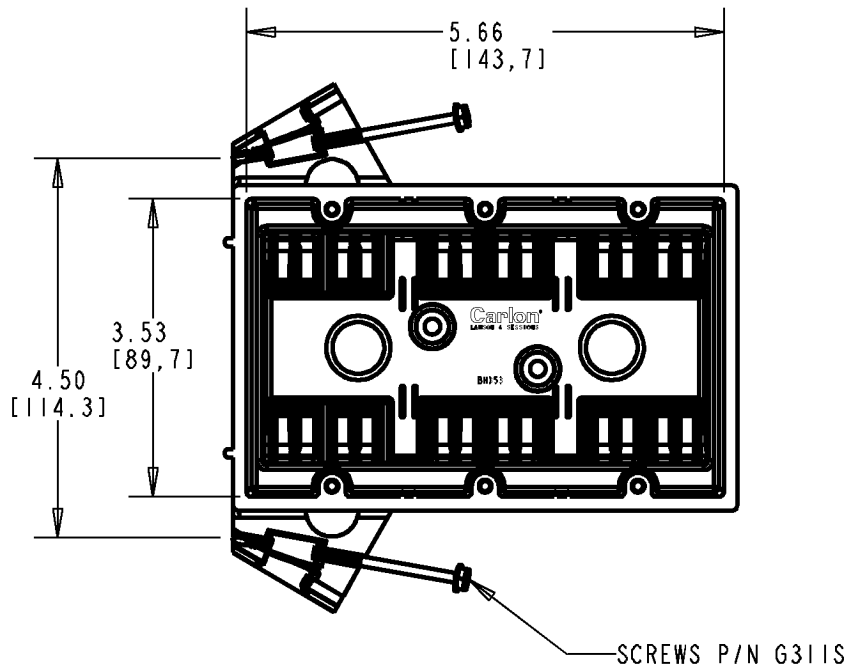
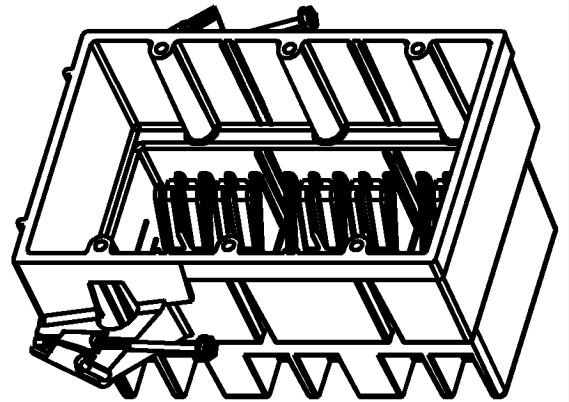
DESCRIPTION: **3 GANG SUPER BLUE  
OUTLET & SWITCH BOX - 52 CU. IN. VOL.**

SHEET NO:  
2 OF 2

REV. NO:  
B

DRAWING NO:  
**WSD-AC03644**

# Carlton®



WIRE GA. / CONDUCTORS

26 / 14

23 / 12

20 / 10

P/N BH353S

### GENERAL NOTES

1. ALL DIMENSIONS ARE FOR REFERENCE ONLY.
2. DIMENSIONS IN BRACKETS [ ] ARE IN METRIC UNITS.

### REVISIONS

\*\* SEE ERN ( \*\*\*\* ) FOR APPROVAL SIGNATURES & RELEASE DATE.  
PROJECT NO: \*\*\*\*

**Thomas & Betts**  
www.tnb.com

DESCRIPTION: **3 GANG SUPER BLUE  
OUTLET & SWITCH BOX - 52 CU. IN. VOL.**

ORIGINAL PROJECT NO / ( ERN NO )

/ ( )

SHEET NO:

1 OF 2

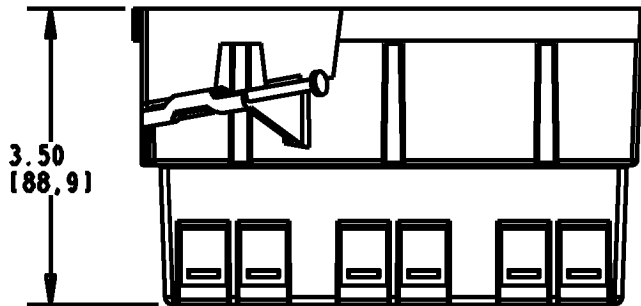
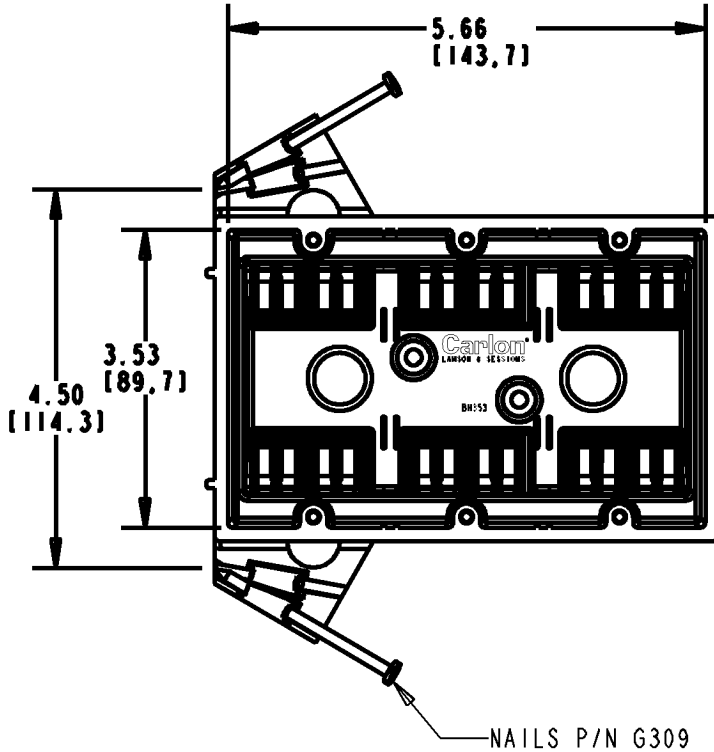
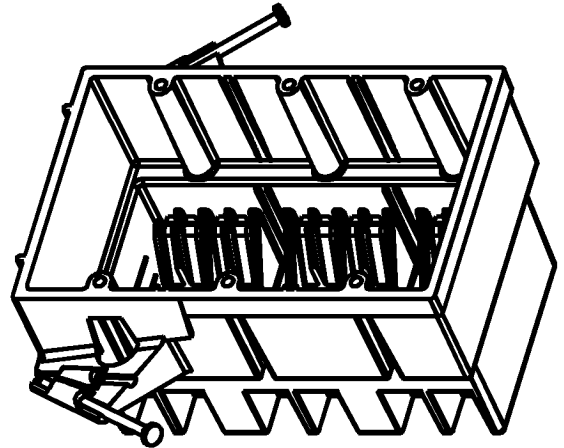
REV. NO:

B

DRAWING NO:

WSD-AC03644

# Carlton®



WIRE GA. / CONDUCTORS

26 / 14  
23 / 12  
20 / 10

P/N BH353A

**Thomas & Betts**  
www.tnb.com

DESCRIPTION: **3 GANG SUPER BLUE  
OUTLET & SWITCH BOX - 52 CU. IN. VOL.**

SHEET NO:  
2 OF 2

REV. NO:  
B

DRAWING NO:  
**WSD-AC03644**