

# 3M™ Scotchlok™ Insulated Electrical Spring Connector B (Blue)

Data Sheet

November 2008

---

**Application** Use 3M™ Scotchlok™ Insulated Electrical Spring Connector B (Blue) to electrically connect two or more conductor ends in a pigtail application and to insulate the connection, or insulate a single conductor end.

---

**Specifications**

Max. Voltage Rating:	600 V Building Wire or 1000 V Signs or Fixtures (Luminaires)
Maximum Operating Temp:	221°F (105°C)
Insulator Material:	Flame retardant flexible polyvinyl chloride Color: Blue
Weight:	.0275 lb (12.5 gm)
Spring:	Spring steel, corrosion resistant coating
Shell:	Steel, corrosion resistant coating

---

**Agency Approvals,  
Self Certifications,  
MIL Specs**

Meets requirements of:

- UL Listed as a Pressure Cable Connector Tested per UL Standard 486C, UL File No. E23438  
Flammability Rating: UL94 V-2
- CSA Certified, CSA Standard C22.2 No. 0, 188-M1983, CSA File No. LR15503,  
Flammability Rating: C22.2 No. 0.6 V-2
- Federal Specification W-S-610, "Commercial Packaging"

Type	Class	Kind	Style
I	I	cu	G

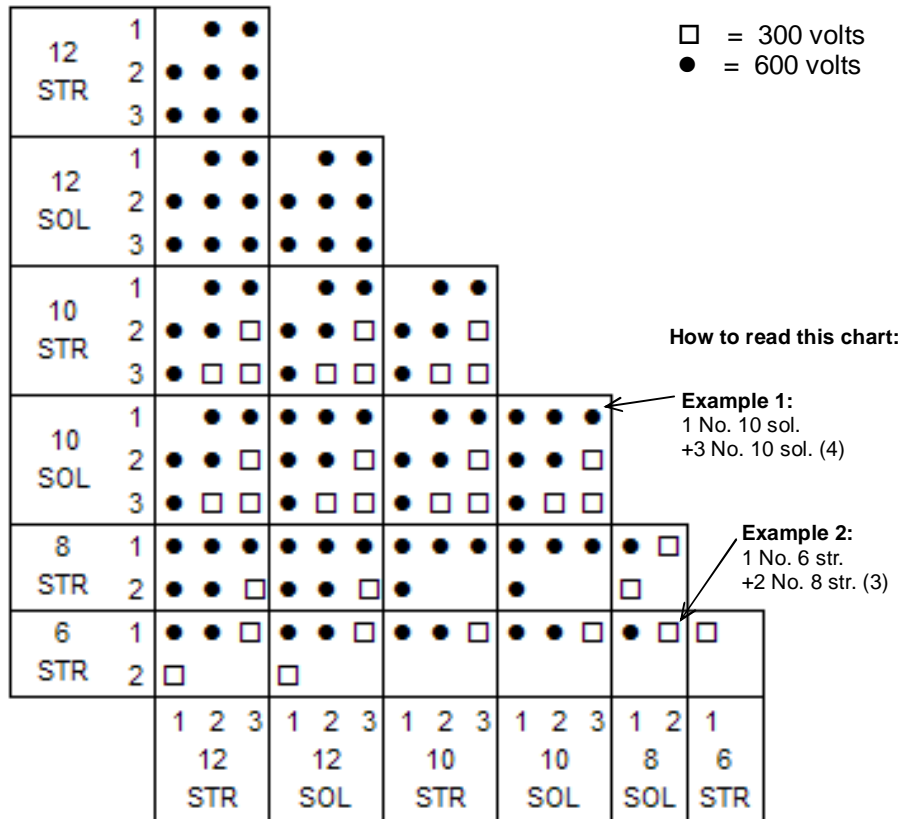


# 3M™ Scotchlok™ Insulated Electrical Connector B (Blue)

## Wire Range

AWG Range: solid or stranded copper conductors only. No. 12 thru No. 6 (4,0 mm<sup>2</sup> thru 16,00 mm<sup>2</sup>)

AWG Wire Combinations  
Copper to Copper Conductors



All wire combinations are 600 volt UL Listed when using conductors with insulation thickness such as TW and THHN.

UL Listed single wire terminations:  
No. 2, 4 and 6 AWG



All wire combinations are 600 volts CSA Certified.

# 3M™ Scotchlok™ Insulated Electrical Connector B (Blue)

## Installation



### Warning

Turn power off before installing or removing terminal. All electrical work should be done according to appropriate electrical codes.

1. Strip wire insulation 1 inch (25,4 mm) from the end of the wires to be connected.
2. Firmly grasp wires, making sure insulation ends are even and tightly bundled, (wires may be twisted or untwisted). Slip connector over wire tips.
3. Turn connector onto wires in a clockwise direction until secure.
4. To remove, turn connector counter-clockwise.

## Metric Wire Combinations

Copper Conductors Only

Conductor Combinations	
Minimum	Maximum
12,0 mm <sup>2</sup>	36,0 mm <sup>2</sup>

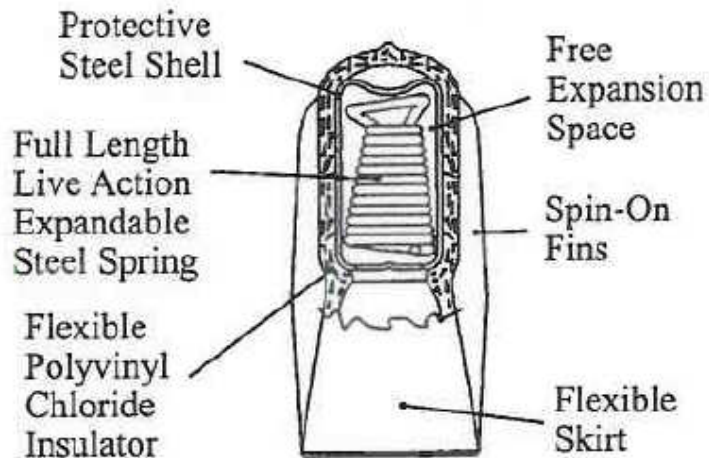
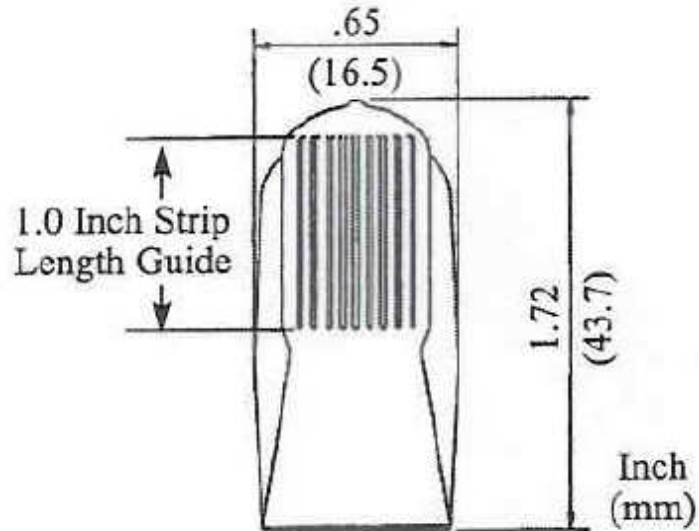
Conductor Combinations		
Quantity	Size	Type
3-6	4,0 mm <sup>2</sup>	sol/str
3-4	6,0 mm <sup>2</sup>	sol/str
2-3	8,0 mm <sup>2</sup>	sol/str
2-3	10,0 mm <sup>2</sup>	sol/str
2	16,0 mm <sup>2</sup>	sol/str

**Only AWG combinations are UL Listed or CSA Certified.**

## 3M™ Scotchlok™ Insulated Electrical Connector B (Blue)

### Engineering/ Architect Specification

3M™ Scotchlok™ Insulated Electrical Spring Connector B (Blue) is capable of connecting two or more wires in a pigtail applications, in the wire range of No. 12 through No. 6 AWG solid or stranded copper conductors. The connector shall be constructed of an active (live) spring and a steel shell covered by a vinyl insulator. The spring shall have a corrosion resistant coating. The connector shall be UL Listed and CSA Certified as a pressure cable connector.



# 3M™ Scotchlok™ Insulated Electrical Connector B (Blue)

---

**Shelf Life & Storage**

This product has a 5-year shelf life from date of manufacture when stored in a humidity controlled storage (50°F/10°C to 80°F/27° C and <75% relative humidity).

---

**Availability**

Please contact your local distributor; available from 3M.com/electrical [Where to Buy] or call 1-800-245-3573.

---

---

**Important Notice**

All statements, technical information, and recommendations related to 3M's products are based on information believed to be reliable, but the accuracy or completeness is not guaranteed. Before using this product, you must evaluate it and determine if it is suitable for your intended application. You assume all risks and liability associated with such use. Any statements related to the product which are not contained in 3M's current publications, or any contrary statements contained on your purchase order shall have no force or effect unless expressly agreed upon, in writing, by an authorized officer of 3M.

---

**Warranty; Limited Remedy; Limited Liability:**

This product will be free from defects in material and manufacture at the time of purchase. **3M MAKES NO OTHER WARRANTIES INCLUDING, BUT NOT LIMITED TO, ANY IMPLIED WARRANTY OF MERCHANTABILITY OR FITNESS FOR A PARTICULAR PURPOSE.** If this product is defective within the warranty period stated above, your exclusive remedy shall be, at 3M's option, to replace or repair the 3M product or refund the purchase price of the 3M product. **Except where prohibited by law, 3M will not be liable for any indirect, special, incidental or consequential loss or damage arising from this 3M product, regardless of the legal theory asserted.**

---

3M and Scotchlok are trademarks of 3M Company.

**Electrical Markets Division**

6801 River Place Blvd.  
Austin, TX 78726-9000  
800 245 3573  
FAX: 800 245 0329  
www.3M.com/electrical

Please recycle.  
© 3M 2008 All rights reserved.  
78-8126-5905-6\_B