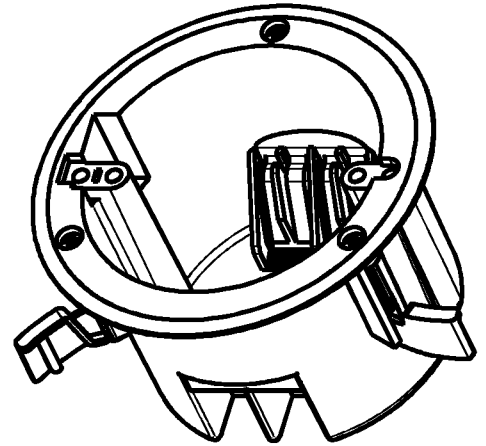
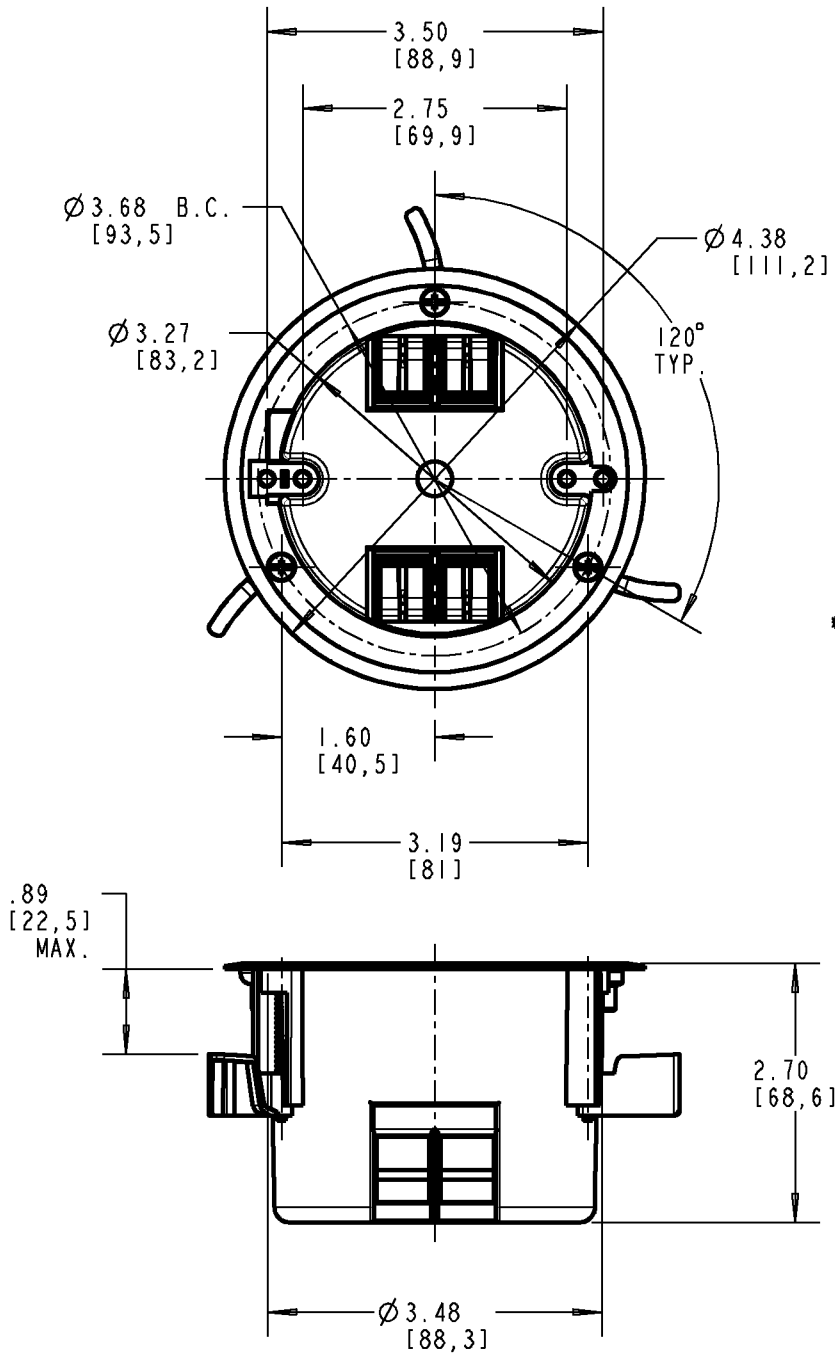


Carlton®



WARNING!

- * SOLVENTS CANNOT BE APPLIED TO ANY POLYCARBONATE ELECTRICAL BOXES.
- * DO NOT SPRAY PAINT POLYCARBONATE ELECTRICAL BOXES WITH ANY SOLVENT-BASED PAINT.
- * DO NOT SPRAY PAINT POLYCARBONATE ELECTRICAL BOXES WITH SPRAY PAINT APPLICATION WHICH INCLUDES ANY SOLVENT.

NOTE:

1. (2) 6-20X1-1/2" PAN HEAD SCREWS & SWING CLAMPS INCLUDED.

P/N
 B618RPR
 B618RP-UPC
 B818RR
 B618RR-UPC
 B618R-UPC

GENERAL NOTES

1. ALL DIMENSIONS ARE FOR REFERENCE ONLY.
2. DIMENSIONS IN BRACKETS [] ARE IN METRIC UNITS.

REVISIONS

D SEE ERN 2016537 FOR APPROVAL SIGNATURES & RELEASE DATE.
 PROJECT NO: NM400330

Thomas & Betts
 www.tnb.com

DESCRIPTION: **18 CU. IN. VOL. OLD WORK BOX**

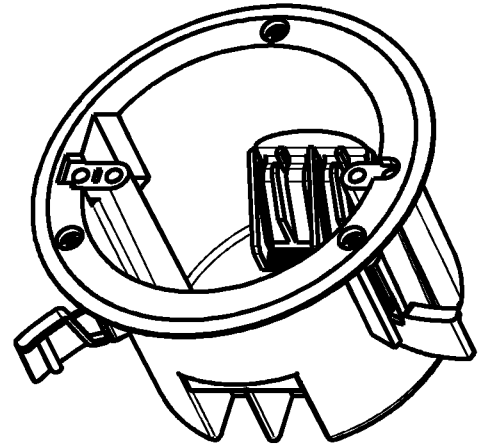
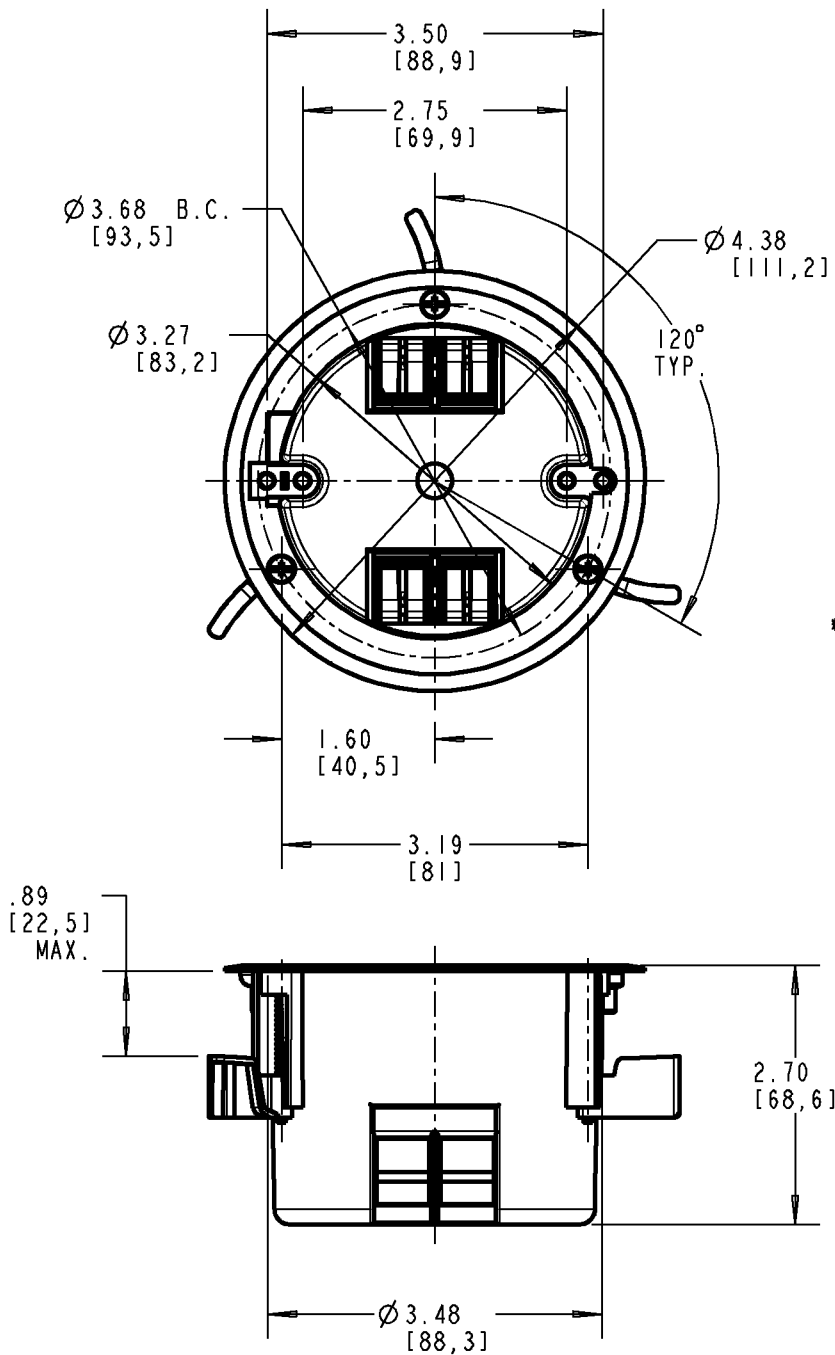
ORIGINAL PROJECT NO / (ERN NO)
 / ()

SHEET NO:
 1 OF 1

REV. NO:
 D

DRAWING NO:
WSD-AC02070

Carlton®



WARNING!

- * SOLVENTS CANNOT BE APPLIED TO ANY POLYCARBONATE ELECTRICAL BOXES.
- * DO NOT SPRAY PAINT POLYCARBONATE ELECTRICAL BOXES WITH ANY SOLVENT-BASED PAINT.
- * DO NOT SPRAY PAINT POLYCARBONATE ELECTRICAL BOXES WITH SPRAY PAINT APPLICATION WHICH INCLUDES ANY SOLVENT.

NOTE:

1. (2) 6-20X1-1/2" PAN HEAD SCREWS & SWING CLAMPS INCLUDED.

P/N
 B618RPR
 B618RP-UPC
 B818RR
 B618RR-UPC
 B618R-UPC

GENERAL NOTES

1. ALL DIMENSIONS ARE FOR REFERENCE ONLY.
2. DIMENSIONS IN BRACKETS [] ARE IN METRIC UNITS.

REVISIONS

D SEE ERN 2016537 FOR APPROVAL SIGNATURES & RELEASE DATE.
 PROJECT NO: NM400330

Thomas & Betts
 www.tnb.com

DESCRIPTION: **18 CU. IN. VOL. OLD WORK BOX**

ORIGINAL PROJECT NO / (ERN NO)
 / ()

SHEET NO:
 1 OF 1

REV. NO:
 D

DRAWING NO:
WSD-AC02070