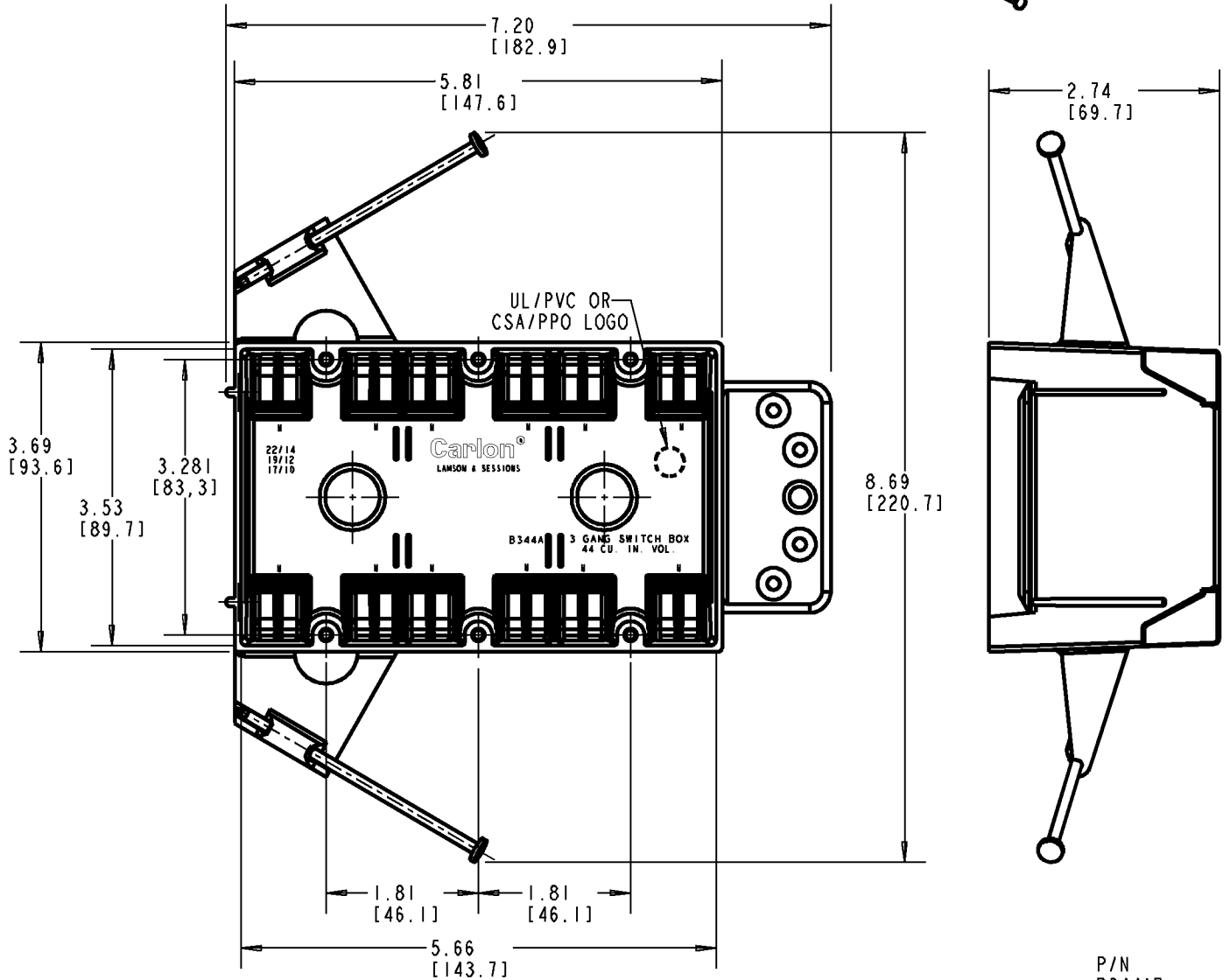
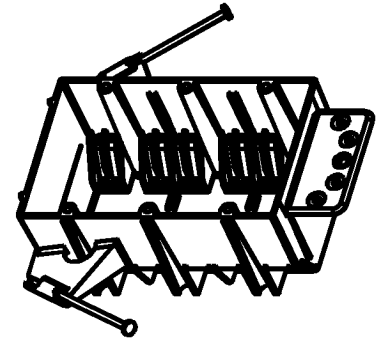


# Carlton®



NOTES:  
1. SUPPORT NAILS ARE INCLUDED.

P/N  
B344AB  
B344AR-UPC

**Thomas & Betts**  
www.tnb.com

**GENERAL NOTES**

1. ALL DIMENSIONS ARE FOR REFERENCE ONLY.
2. DIMENSIONS IN BRACKETS [ ] ARE IN METRIC UNITS.

**REVISIONS**

\*\*\* SEE ERN ( \*\*\*\* ) FOR APPROVAL SIGNATURES & RELEASE DATE.  
PROJECT NO: \*\*\*\*

DESCRIPTION: **ZIP BOX 44 CU. IN. VOL. - 3 GANG**

ORIGINAL PROJECT NO / ( ERN NO )  
/ ( )

SHEET NO:  
1 OF 1

REV. NO:  
**B**

DRAWING NO:  
**WSD-AC02081**