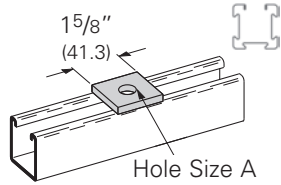


# Flat Plate Fittings

## B200-B202-2

- Standard finishes: ZN, GRN, HDG, SS4, SS6, AL

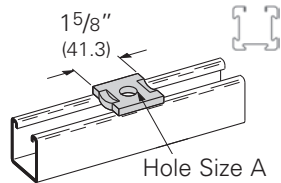


## SQUARE WASHER

Part No.	A		Bolt Size		Wt./C	
	In.	mm	In.	mm	Lbs.	kg
B200	3/8"	(9.5)	5/16"	(7.9)	18	(8.1)
B201	7/16"	(11.1)	3/8"	(9.5)	18	(8.1)
B202	9/16"	(14.2)	1/2"	(12.7)	17	(7.7)
B202-1	11/16"	(17.4)	5/8"	(15.9)	16	(7.2)
B202-2	13/16"	(20.6)	3/4"	(19.0)	15	(6.8)
B202-3	15/16"	(23.8)	7/8"	(22.2)	14	(6.3)

## B200D-B202-2D

- Standard finishes: ZN, GRN, HDG, SS4, SS6, AL



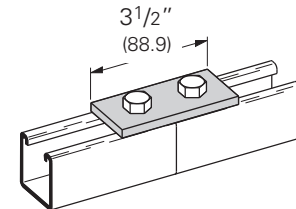
## NO TWIST SQUARE WASHER

Part No.	A		Bolt Size		Wt./C	
	In.	mm	In.	mm	Lbs.	kg
B200D	3/8"	(9.5)	5/16"	(7.9)	18	(8.1)
B201D	7/16"	(11.1)	3/8"	(9.5)	18	(8.1)
B202D	9/16"	(14.2)	1/2"	(12.7)	17	(7.7)
B202-1D	11/16"	(17.4)	5/8"	(15.9)	16	(7.2)
B202-2D	13/16"	(20.6)	3/4"	(19.0)	15	(6.8)

## B129

### Two Hole Splice Plate

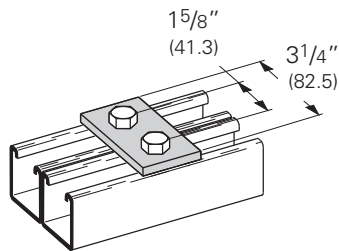
- Standard finishes: ZN, GRN
- Wt./C 37 Lbs. (16.8 kg)



## B340

### Two Hole Splice Plate

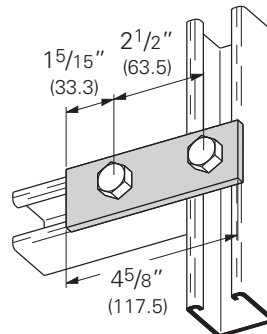
- Standard finishes: ZN, GRN
- Wt./C 34 Lbs. (15.4 kg)



## B528

### Two Hole Splice Plate

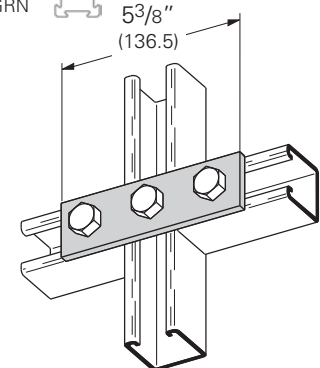
- Standard finishes: ZN, GRN
- Wt./C 50 Lbs. (22.7 kg)



## B141

### Three Hole Splice Plate

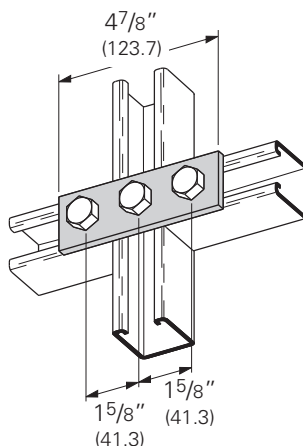
- Standard finishes: ZN, GRN
- Wt./C 55 Lbs. (24.9 kg)



## B557

### Three Hole Splice Plate

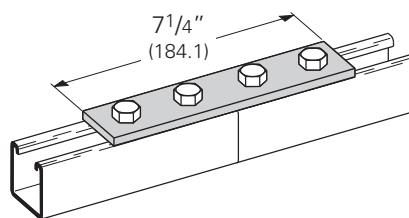
- Standard finishes: ZN, GRN
- Wt./C 50 Lbs. (22.7 kg)



## B341

### Four Hole Splice Plate

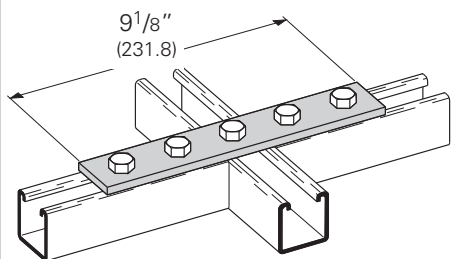
- Standard finishes: ZN, GRN, HDG
- Wt./C 76 Lbs. (34.5 kg)



## B342

### Five Hole Splice Plate

- Standard finishes: ZN, GRN
- Wt./C 96 Lbs. (43.5 kg)



PA Pre-assembled fitting



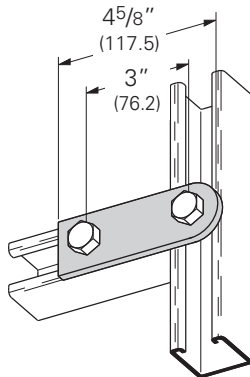
4Dimension compatible fitting

Reference page 73 for general fitting and standard finish specifications.

# Flat Plate Fittings

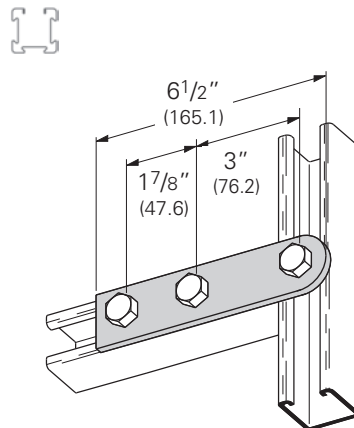
## B138 Two Hole Swivel Plate

- Standard finishes: ZN, GRN
- Wt./C 48 Lbs. (21.8 kg)



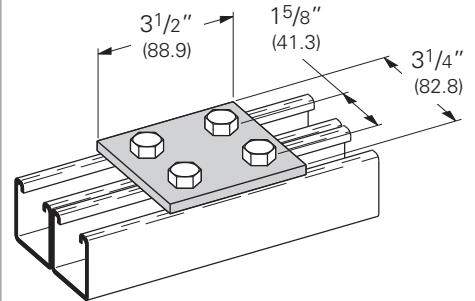
## B139 Three Hole Swivel Plate

- Standard finishes: ZN, GRN
- Wt./C 69 Lbs. (31.3 kg)



## B504 Four Hole Splice Plate

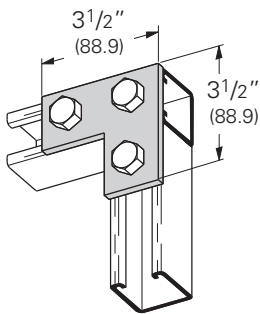
- Standard finishes: ZN, GRN
- Wt./C 73 Lbs. (33.1 kg)



## B140 Three Hole Corner Plate

- Standard finishes: ZN, GRN, HDG, SS4
- Wt./C 56 Lbs. (25.4 kg)

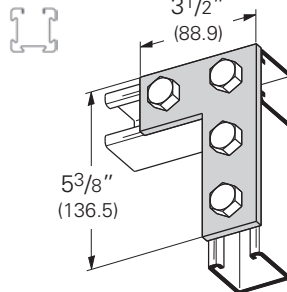
PA ZN  
GRN



## B143 Four Hole Corner Plate

- Standard finishes: ZN, GRN, HDG, SS4
- Wt./C 75 Lbs. (34.0 kg)

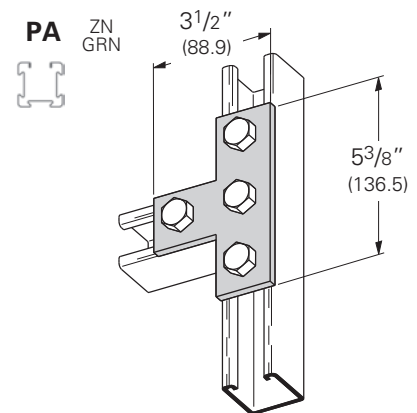
PA ZN  
GRN



## B133 Four Hole Tee Plate

- Standard finishes: ZN, GRN, HDG, SS4, AL
- Wt./C 75 Lbs. (34.0 kg)

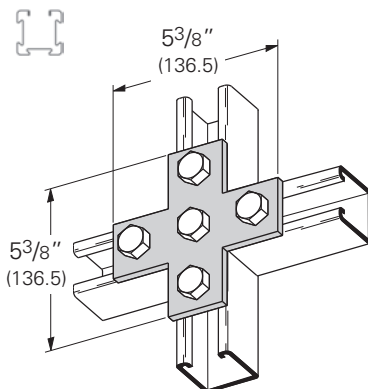
PA ZN  
GRN



## B132 Five Hole Cross Plate

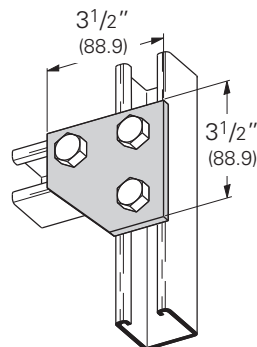
- Standard finishes: ZN, GRN, HDG
- Wt./C 100 Lbs. (45.3 kg)

PA ZN  
GRN



## B135 Three Hole Corner Gusset Plate

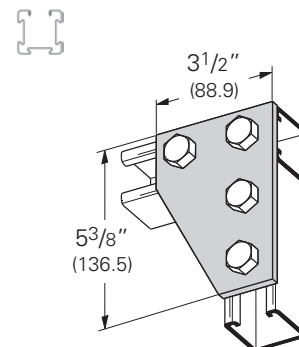
- Standard finishes: ZN, GRN
- Wt./C 70 Lbs. (31.7 kg)



## B142 Four Hole Corner Gusset Plate

- Standard finishes: ZN, GRN, HDG
- Wt./C 102 Lbs. (46.2 kg)

PA ZN  
GRN



PA Pre-assembled fitting

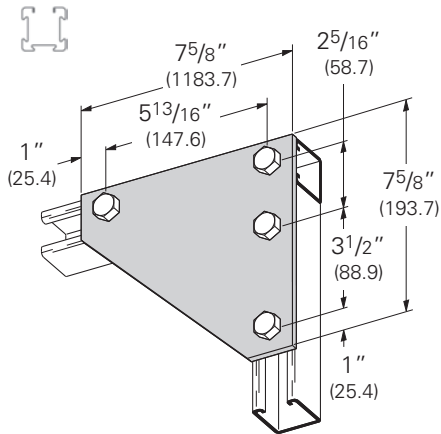
 4Dimension compatible fitting

Reference page 73 for general fitting and standard finish specifications.

# Flat Plate Fittings

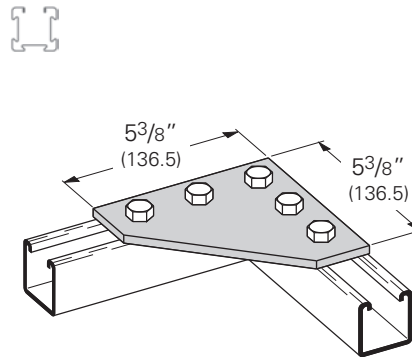
## B137 Four Hole Corner Gusset Plate

- Standard finishes: ZN, GRN
- Wt./C 273 Lbs. (123.8 kg)



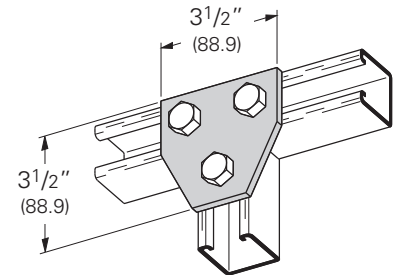
## B556 Five Hole Corner Gusset Plate

- Standard finishes: ZN, GRN
- Wt./C 145 Lbs. (65.8 kg)



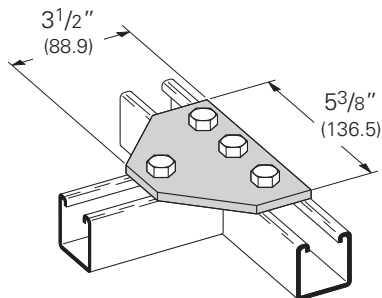
## B337 Three Hole Tee Gusset Plate

- Standard finishes: ZN, GRN
- Wt./C 70 Lbs. (31.7 kg)



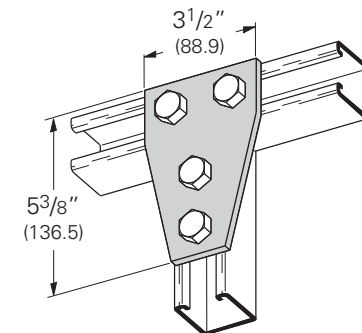
## B432 Four Hole Tee Gusset Plate

- Standard finishes: ZN, GRN
- Wt./C 100 Lbs. (45.3 kg)



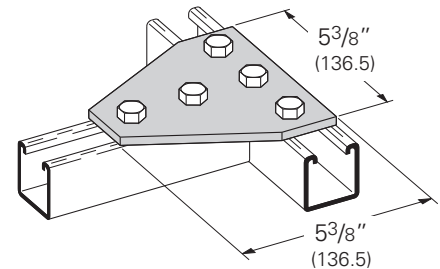
## B136 Four Hole Tee Gusset Plate

- Standard finishes: ZN, GRN, HDG
- Wt./C 100 Lbs. (45.3 kg)



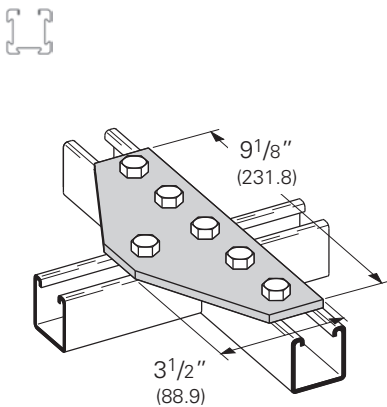
## B532 Five Hole Tee Gusset Plate

- Standard finishes: ZN, GRN
- Wt./C 143 Lbs. (64.8 kg)



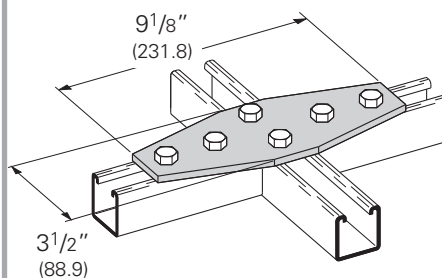
## B339 Six Hole Tee Gusset Plate

- Standard finishes: ZN, GRN
- Wt./C 149 Lbs. (67.6 kg)



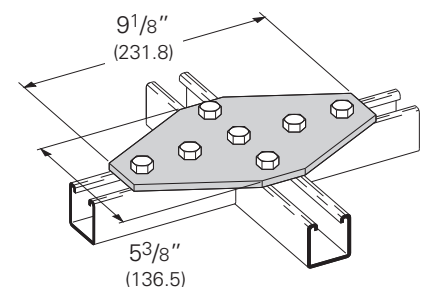
## B568 Six Hole Cross Gusset Plate

- Standard finishes: ZN, GRN
- Wt./C 166 Lbs. (75.3 kg)



## B334 Seven Hole Cross Gusset Plate

- Standard finishes: ZN, GRN
- Wt./C 232 Lbs. (105.2 kg)



PA Pre-assembled fitting

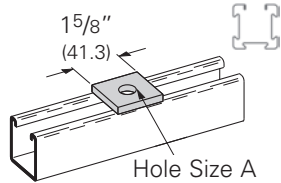
 4Dimension compatible fitting

Reference page 73 for general fitting and standard finish specifications.

# Flat Plate Fittings

## B200-B202-2

- Standard finishes: ZN, GRN, HDG, SS4, SS6, AL

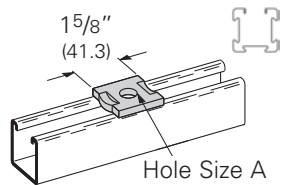


## SQUARE WASHER

Part No.	A		Bolt Size		Wt./C	
	In.	mm	In.	mm	Lbs.	kg
B200	3/8"	(9.5)	5/16"	(7.9)	18	(8.1)
B201	7/16"	(11.1)	3/8"	(9.5)	18	(8.1)
B202	9/16"	(14.2)	1/2"	(12.7)	17	(7.7)
B202-1	11/16"	(17.4)	5/8"	(15.9)	16	(7.2)
B202-2	13/16"	(20.6)	3/4"	(19.0)	15	(6.8)
B202-3	15/16"	(23.8)	7/8"	(22.2)	14	(6.3)

## B200D-B202-2D

- Standard finishes: ZN, GRN, HDG, SS4, SS6, AL



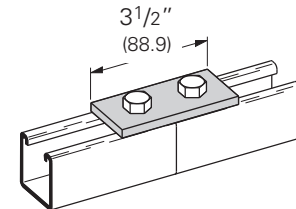
## NO TWIST SQUARE WASHER

Part No.	A		Bolt Size		Wt./C	
	In.	mm	In.	mm	Lbs.	kg
B200D	3/8"	(9.5)	5/16"	(7.9)	18	(8.1)
B201D	7/16"	(11.1)	3/8"	(9.5)	18	(8.1)
B202D	9/16"	(14.2)	1/2"	(12.7)	17	(7.7)
B202-1D	11/16"	(17.4)	5/8"	(15.9)	16	(7.2)
B202-2D	13/16"	(20.6)	3/4"	(19.0)	15	(6.8)

## B129

### Two Hole Splice Plate

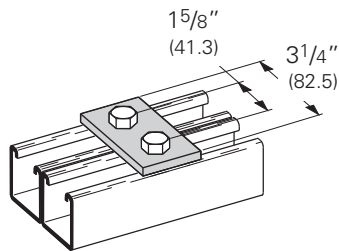
- Standard finishes: ZN, GRN
- Wt./C 37 Lbs. (16.8 kg)



## B340

### Two Hole Splice Plate

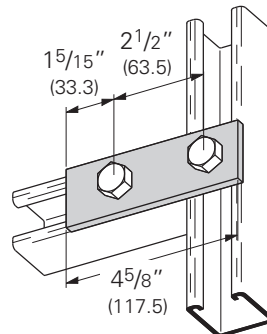
- Standard finishes: ZN, GRN
- Wt./C 34 Lbs. (15.4 kg)



## B528

### Two Hole Splice Plate

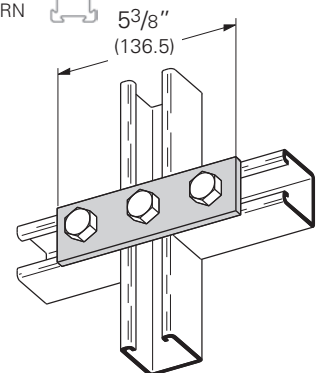
- Standard finishes: ZN, GRN
- Wt./C 50 Lbs. (22.7 kg)



## B141

### Three Hole Splice Plate

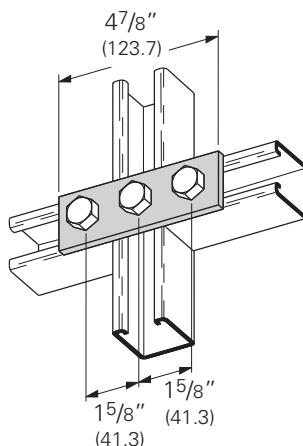
- Standard finishes: ZN, GRN
- Wt./C 55 Lbs. (24.9 kg)



## B557

### Three Hole Splice Plate

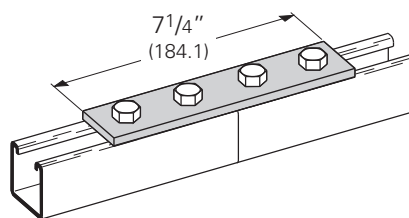
- Standard finishes: ZN, GRN
- Wt./C 50 Lbs. (22.7 kg)



## B341

### Four Hole Splice Plate

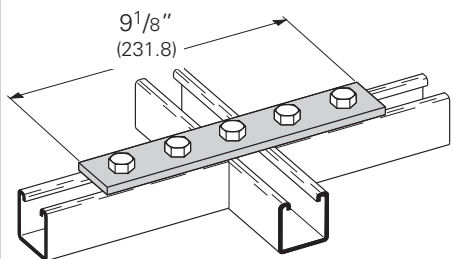
- Standard finishes: ZN, GRN, HDG
- Wt./C 76 Lbs. (34.5 kg)



## B342

### Five Hole Splice Plate

- Standard finishes: ZN, GRN
- Wt./C 96 Lbs. (43.5 kg)



PA Pre-assembled fitting



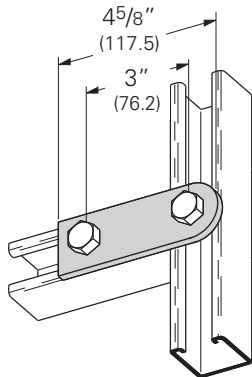
4Dimension compatible fitting

Reference page 73 for general fitting and standard finish specifications.

# Flat Plate Fittings

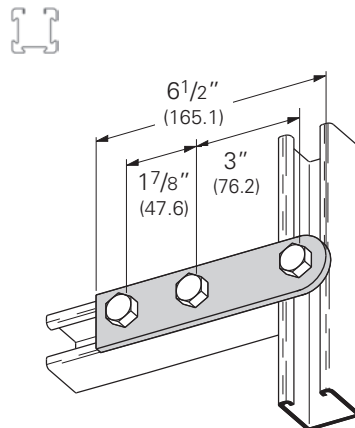
## B138 Two Hole Swivel Plate

- Standard finishes: ZN, GRN
- Wt./C 48 Lbs. (21.8 kg)



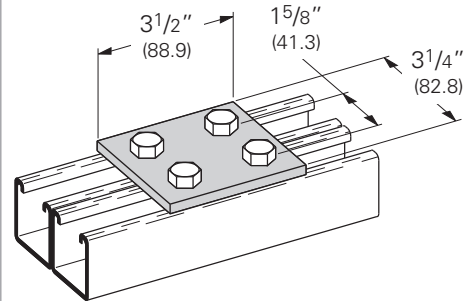
## B139 Three Hole Swivel Plate

- Standard finishes: ZN, GRN
- Wt./C 69 Lbs. (31.3 kg)



## B504 Four Hole Splice Plate

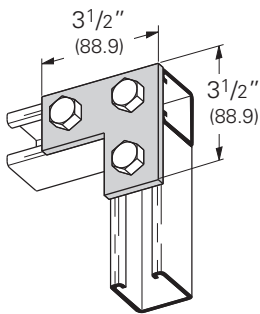
- Standard finishes: ZN, GRN
- Wt./C 73 Lbs. (33.1 kg)



## B140 Three Hole Corner Plate

- Standard finishes: ZN, GRN, HDG, SS4
- Wt./C 56 Lbs. (25.4 kg)

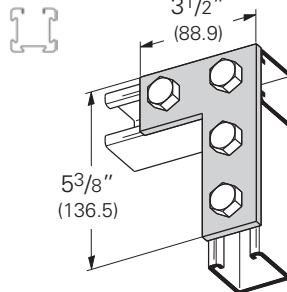
PA ZN  
GRN



## B143 Four Hole Corner Plate

- Standard finishes: ZN, GRN, HDG, SS4
- Wt./C 75 Lbs. (34.0 kg)

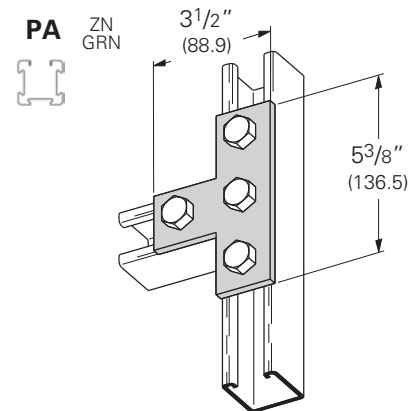
PA ZN  
GRN



## B133 Four Hole Tee Plate

- Standard finishes: ZN, GRN, HDG, SS4, AL
- Wt./C 75 Lbs. (34.0 kg)

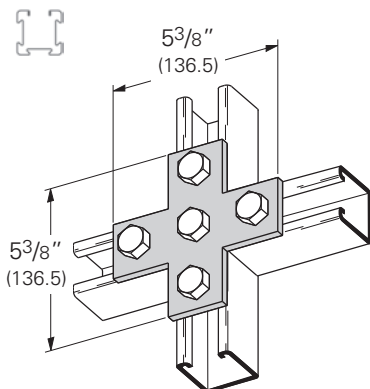
PA ZN  
GRN



## B132 Five Hole Cross Plate

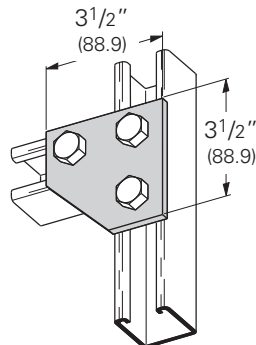
- Standard finishes: ZN, GRN, HDG
- Wt./C 100 Lbs. (45.3 kg)

PA ZN  
GRN



## B135 Three Hole Corner Gusset Plate

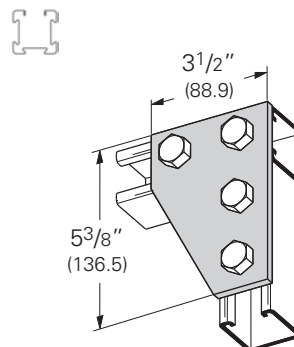
- Standard finishes: ZN, GRN
- Wt./C 70 Lbs. (31.7 kg)



## B142 Four Hole Corner Gusset Plate

- Standard finishes: ZN, GRN, HDG
- Wt./C 102 Lbs. (46.2 kg)

PA ZN  
GRN



PA Pre-assembled fitting

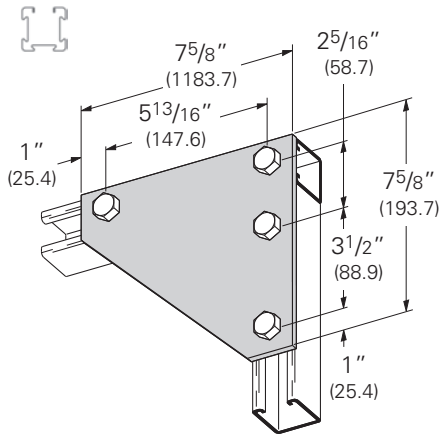
 4Dimension compatible fitting

Reference page 73 for general fitting and standard finish specifications.

# Flat Plate Fittings

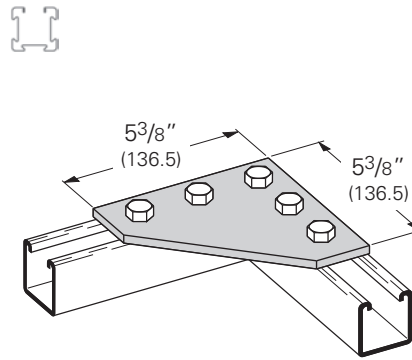
## B137 Four Hole Corner Gusset Plate

- Standard finishes: ZN, GRN
- Wt./C 273 Lbs. (123.8 kg)



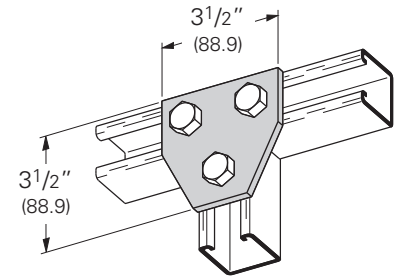
## B556 Five Hole Corner Gusset Plate

- Standard finishes: ZN, GRN
- Wt./C 145 Lbs. (65.8 kg)



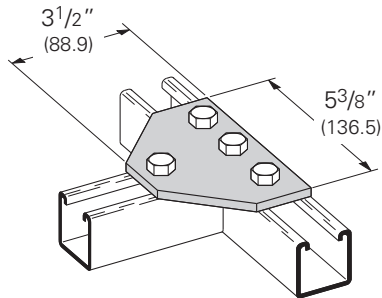
## B337 Three Hole Tee Gusset Plate

- Standard finishes: ZN, GRN
- Wt./C 70 Lbs. (31.7 kg)



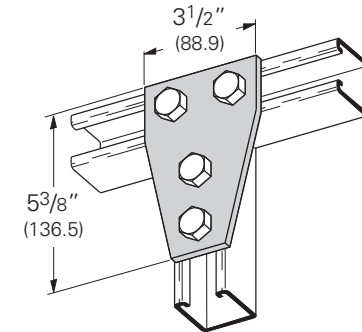
## B432 Four Hole Tee Gusset Plate

- Standard finishes: ZN, GRN
- Wt./C 100 Lbs. (45.3 kg)



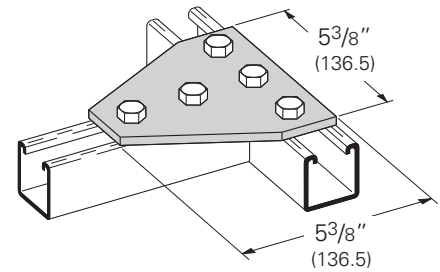
## B136 Four Hole Tee Gusset Plate

- Standard finishes: ZN, GRN, HDG
- Wt./C 100 Lbs. (45.3 kg)



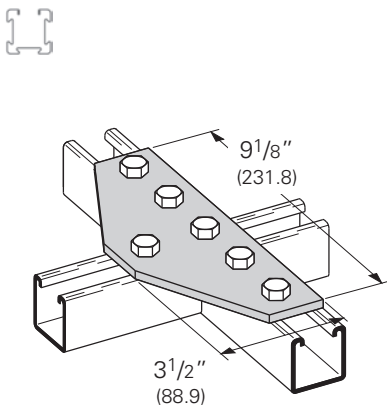
## B532 Five Hole Tee Gusset Plate

- Standard finishes: ZN, GRN
- Wt./C 143 Lbs. (64.8 kg)



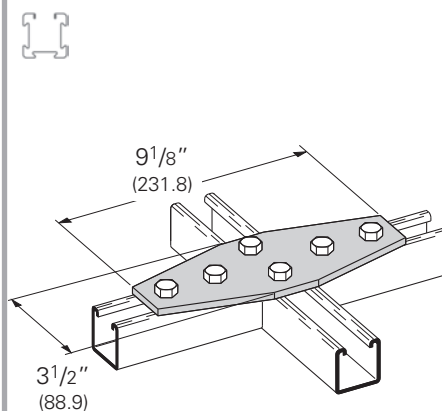
## B339 Six Hole Tee Gusset Plate

- Standard finishes: ZN, GRN
- Wt./C 149 Lbs. (67.6 kg)



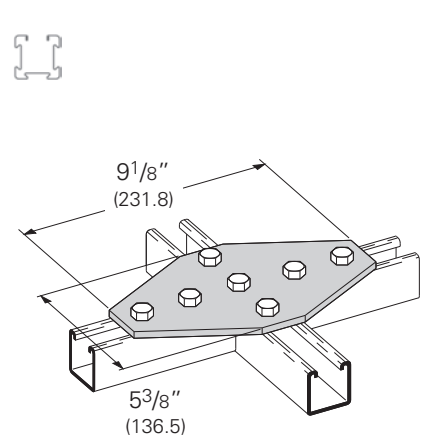
## B568 Six Hole Cross Gusset Plate

- Standard finishes: ZN, GRN
- Wt./C 166 Lbs. (75.3 kg)



## B334 Seven Hole Cross Gusset Plate

- Standard finishes: ZN, GRN
- Wt./C 232 Lbs. (105.2 kg)



PA Pre-assembled fitting

 4Dimension compatible fitting

Reference page 73 for general fitting and standard finish specifications.