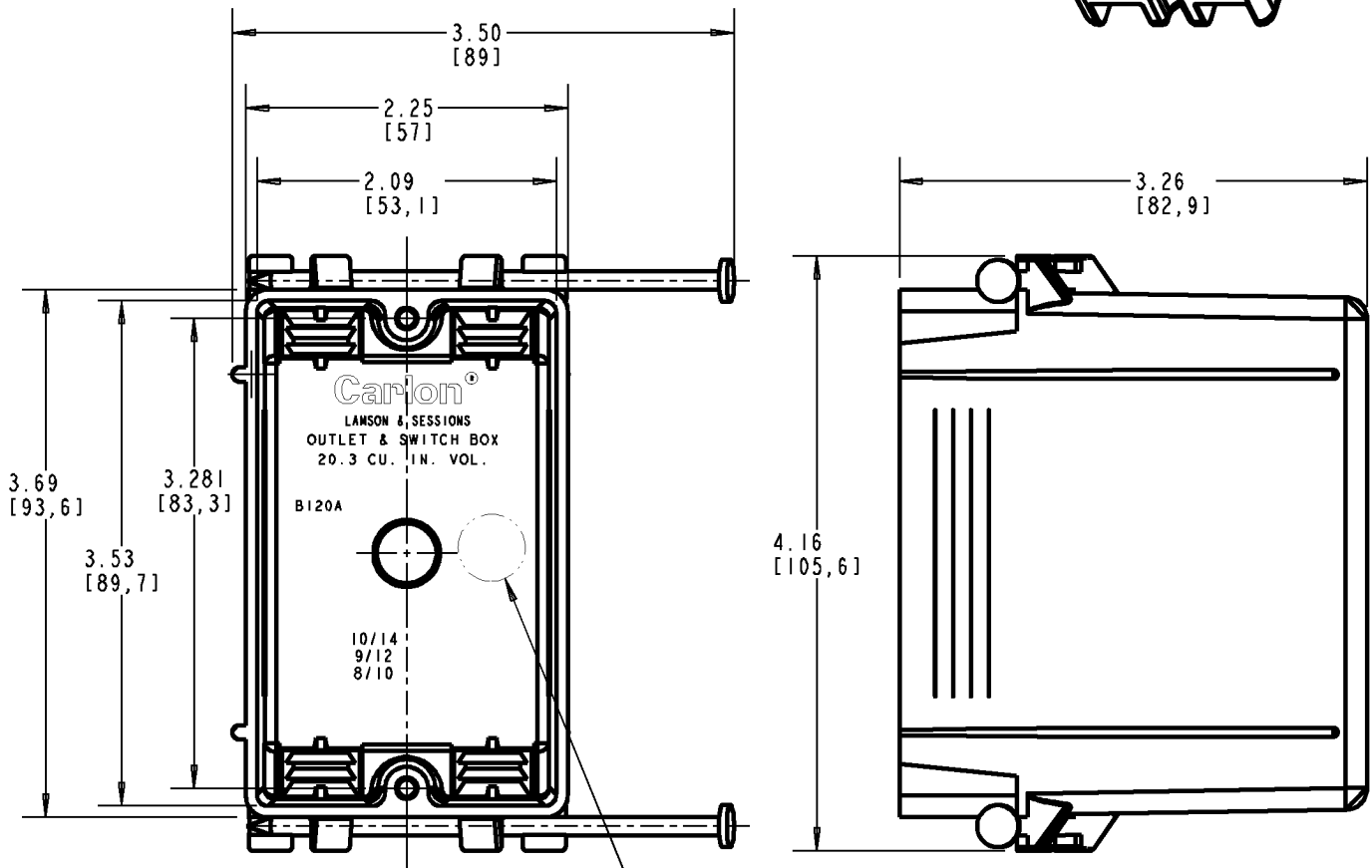
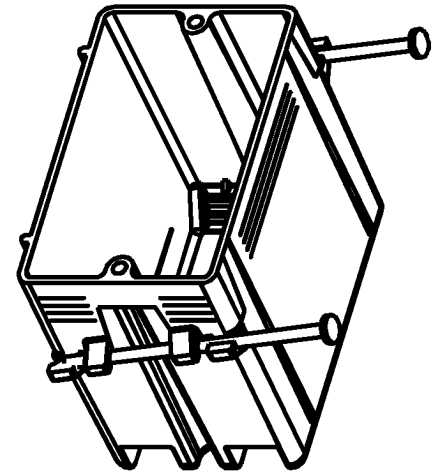


# Carlton®



NOTE:  
1. SUPPORT NAILS INCLUDED.

UP/PVC OR  
CSA/PPO LOGO

P/N  
B120A-UPC  
B120AR-UPC

### GENERAL NOTES

1. ALL DIMENSIONS ARE FOR REFERENCE ONLY.
2. DIMENSIONS IN BRACKETS [ ] ARE IN METRIC UNITS.

### REVISIONS

\*\* SEE ERN ( \*\*\*\* )  
FOR APPROVAL SIGNATURES  
& RELEASE DATE.  
PROJECT NO: \*\*\*\*

**Thomas & Betts**  
www.tnb.com

DESCRIPTION: ZIP BOX 20 CU. IN. VOL. NAIL-ON

ORIGINAL PROJECT NO / ( ERN NO )

/ ( )

SHEET NO:

1 OF 1

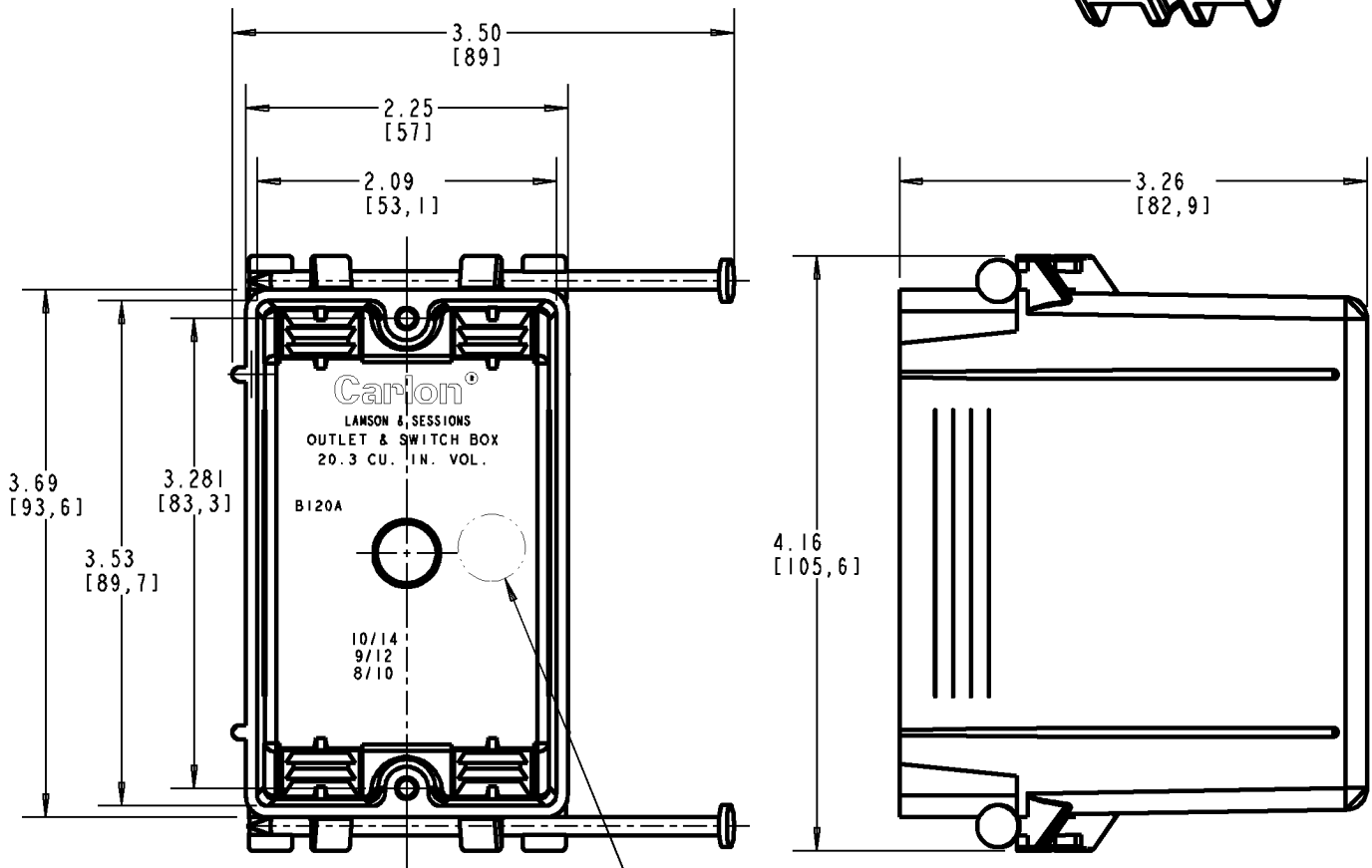
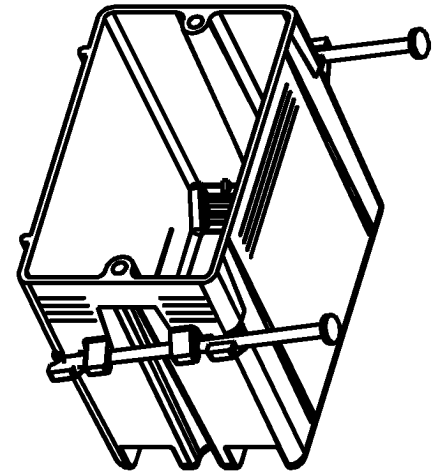
REV. NO:

B

DRAWING NO:

WSD-AC02075

# Carlton®



NOTE:  
1. SUPPORT NAILS INCLUDED.

UP/PVC OR  
CSA/PPO LOGO

P/N  
B120A-UPC  
B120AR-UPC

### GENERAL NOTES

1. ALL DIMENSIONS ARE FOR REFERENCE ONLY.
2. DIMENSIONS IN BRACKETS [ ] ARE IN METRIC UNITS.

### REVISIONS

\*\* SEE ERN ( \*\*\*\* ) FOR APPROVAL SIGNATURES & RELEASE DATE.  
PROJECT NO: \*\*\*\*

**Thomas & Betts**  
www.tnb.com

DESCRIPTION: ZIP BOX 20 CU. IN. VOL. NAIL-ON

ORIGINAL PROJECT NO / ( ERN NO )

/ ( )

SHEET NO:

1 OF 1

REV. NO:

B

DRAWING NO:

WSD-AC02075