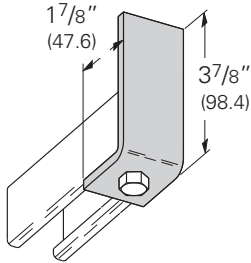


90° Angle Fittings

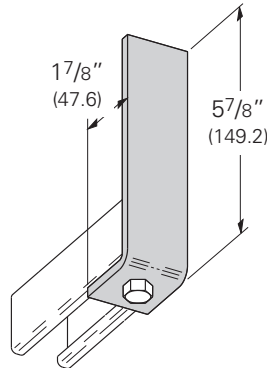
B420-378 One Hole Corner Angle

- Standard finishes: ZN, GRN
- Wt./C 60 Lbs. (27.2 kg)



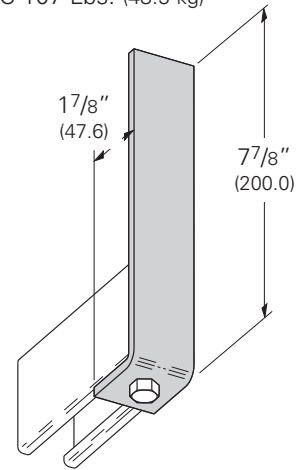
B420-578 One Hole Corner Angle

- Standard finishes: ZN, GRN
- Wt./C 85 Lbs. (38.5 kg)



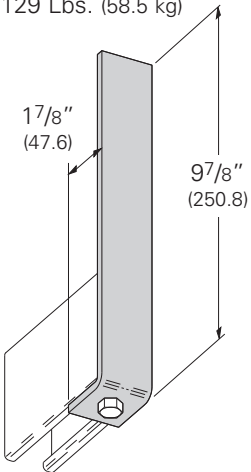
B420-778 One Hole Corner Angle

- Standard finishes: ZN, GRN
- Wt./C 107 Lbs. (48.5 kg)



B420-978 One Hole Corner Angle

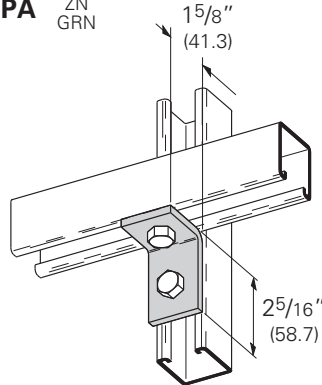
- Standard finishes: ZN, GRN
- Wt./C 129 Lbs. (58.5 kg)



B101 Two Hole Corner Angle

- Standard finishes: ZN, GRN, HDG, SS4, AL
- Wt./C 37 Lbs. (16.8 kg)

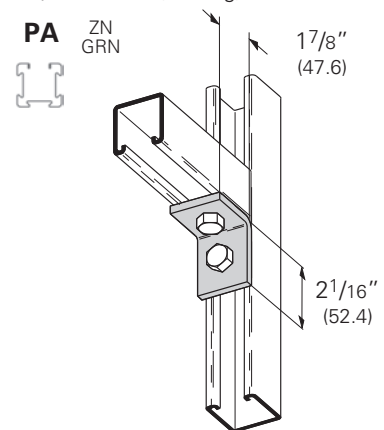
PA ZN GRN



B230 Two Hole Corner Angle

- Standard finishes: ZN, GRN, HDG, SS4, AL
- Wt./C 37 Lbs. (16.8 kg)

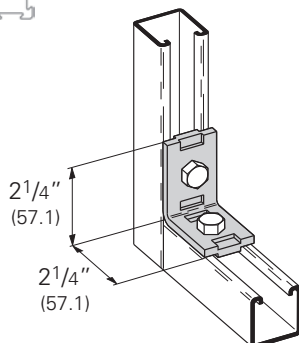
PA ZN GRN



B231 Two Hole "No-Twist" Corner Angle

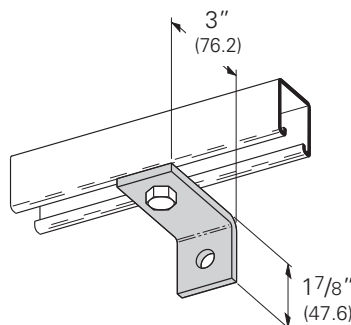
- Standard finishes: ZN, GRN, HDG
- Wt./C 41 Lbs. (18.6 kg)

PA ZN GRN



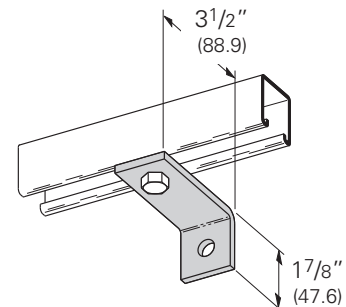
B359 Two Hole Corner Angle

- Standard finishes: ZN, GRN
- Wt./C 48 Lbs. (21.8 kg)



B360 Two Hole Corner Angle

- Standard finishes: ZN, GRN
- Wt./C 53 Lbs. (24.0 kg)



PA Pre-assembled fitting

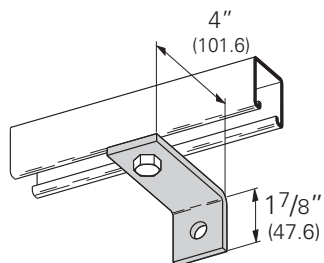


4Dimension compatible fitting

Reference page 73 for general fitting and standard finish specifications.

B361 Two Hole Corner Angle

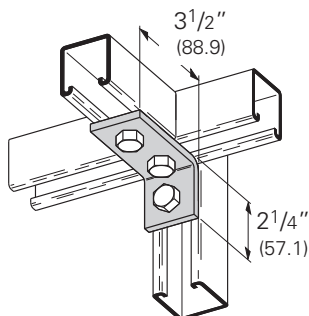
- Standard finishes: ZN, GRN
- Wt./C 60 Lbs. (27.2 kg)



B102 Three Hole Corner Angle

- Standard finishes: ZN, GRN, HDG, SS4
- Wt./C 56 Lbs. (25.4 kg)

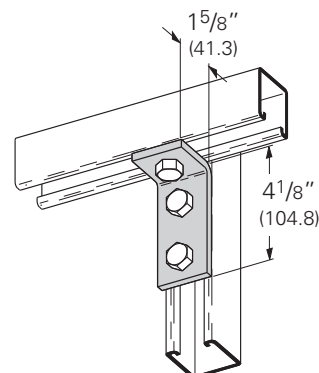
PA ZN
GRN



B103 Three Hole Corner Angle

- Standard finishes: ZN, GRN, HDG, SS4
- Wt./C 56 Lbs. (25.4 kg)

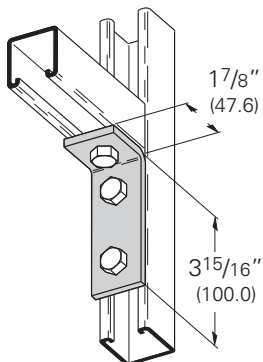
PA ZN
GRN



B232 Three Hole Corner Angle

- Standard finishes: ZN, GRN, HDG, SS4
- Wt./C 56 Lbs. (25.4 kg)

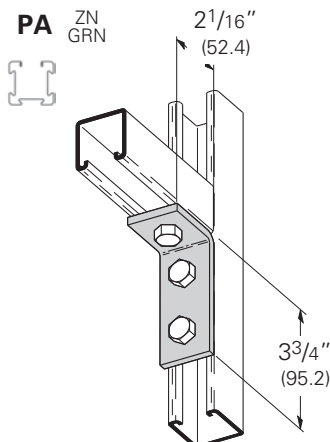
PA ZN
GRN



B374 Three Hole Corner Angle

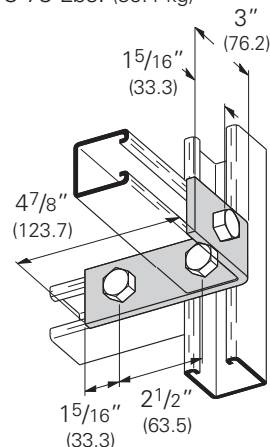
- Standard finishes: ZN, GRN, HDG
- Wt./C 56 Lbs. (25.4 kg)

PA ZN
GRN



B529 Three Hole Corner Angle

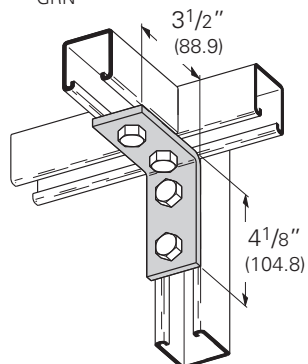
- Standard finishes: ZN, GRN
- Wt./C 78 Lbs. (35.4 kg)



B104 Four Hole Corner Angle

- Standard finishes: ZN, GRN, HDG, SS4, SS6, AL
- Wt./C 78 Lbs. (35.4 kg)

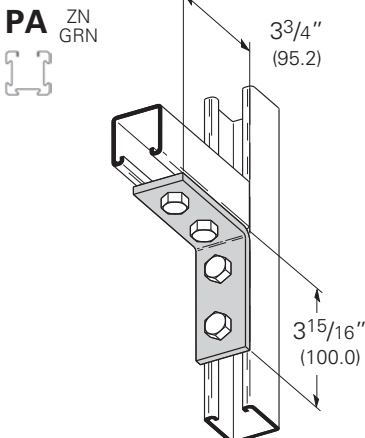
PA ZN
GRN



B115 Four Hole Corner Angle

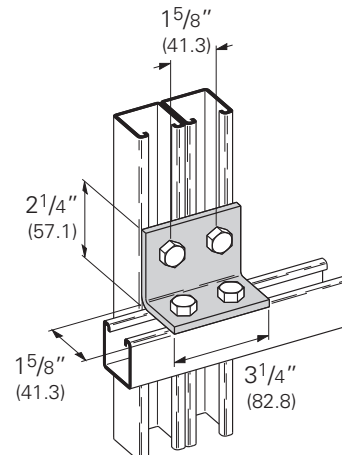
- Standard finishes: ZN, GRN, HDG, SS4, AL
- Wt./C 76 Lbs. (34.5 kg)

PA ZN
GRN



B558 Four Hole Corner Angle

- Standard finishes: ZN, GRN
- Wt./C 73 Lbs. (33.1 kg)



PA Pre-assembled fitting



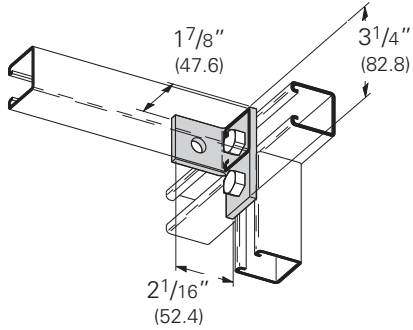
4Dimension compatible fitting

Reference page 73 for general fitting and standard finish specifications.

90° Angle Fittings

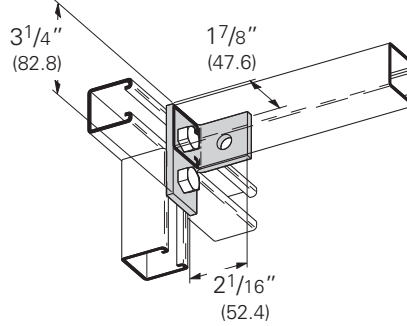
B235R Three Hole (Right Hand) Offset Bent Angle

- 1⁵/₈" (41.3) from center to center of the holes that are shown with bolt heads
- Standard finishes: ZN, GRN
- Wt./C 53 Lbs. (24.0 kg)



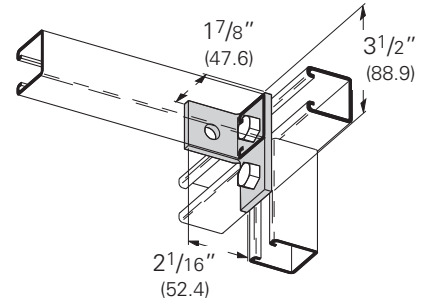
B235L Three Hole (Left Hand) Offset Bent Angle

- 1⁵/₈" (41.3) from center to center of the holes that are shown with bolt heads
- Standard finishes: ZN, GRN
- Wt./C 53 Lbs. (24.0 kg)



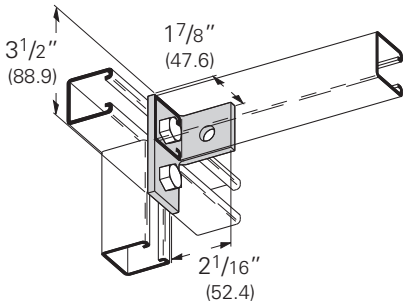
B236R Three Hole (Right Hand) Offset Bent Angle

- Standard finishes: ZN, GRN
- Wt./C 65 Lbs. (29.5 kg)



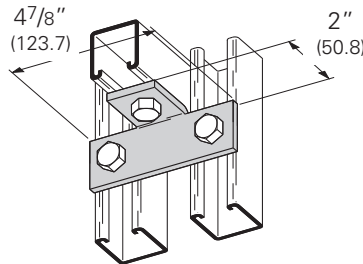
B236L Three Hole (Left Hand) Offset Bent Angle

- Standard finishes: ZN, GRN
- Wt./C 65 Lbs. (29.5 kg)



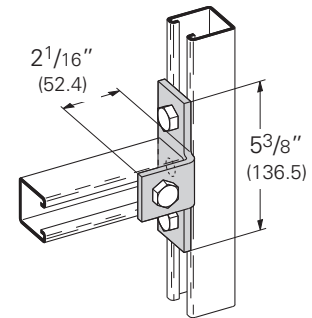
B237 Three Hole Offset Bent Tee

- Standard finishes: ZN, GRN
- Wt./C 71 Lbs. (32.2 kg)



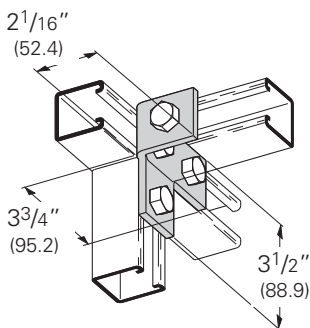
B357 Four Hole Offset Bent Tee

- Standard finishes: ZN, GRN
- Wt./C 77 Lbs. (34.9 kg)



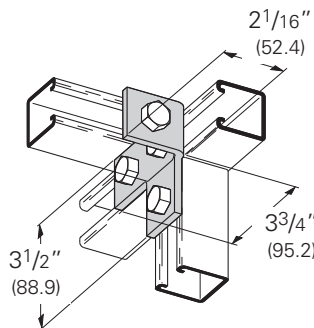
B238R Four Hole (Right Hand) Offset Bent Tee

- Standard finishes: ZN, GRN
- Wt./C 76 Lbs. (34.5 kg)



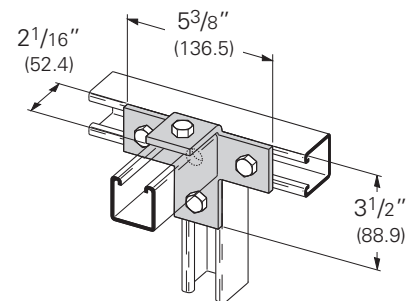
B238L Four Hole (Left Hand) Offset Bent Tee

- Standard finishes: ZN, GRN
- Wt./C 76 Lbs. (34.5 kg)



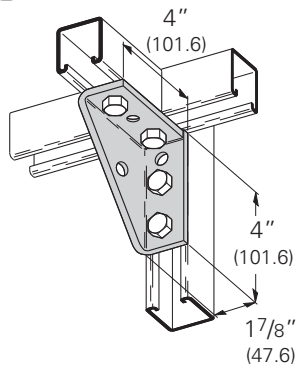
B239 Five Hole Offset Bent Tee

- Standard finishes: ZN, GRN
- Wt./C 96 Lbs. (43.5 kg)



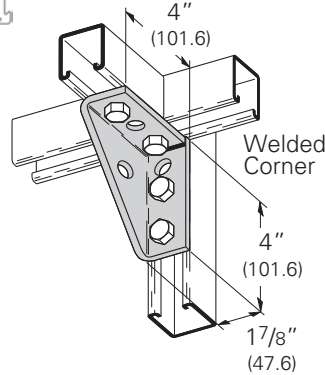
**B844
Universal Shelf Bracket**

- Standard finishes: ZN, GRN, HDG, SS4
- Wt./C 132 Lbs. (59.9 kg)



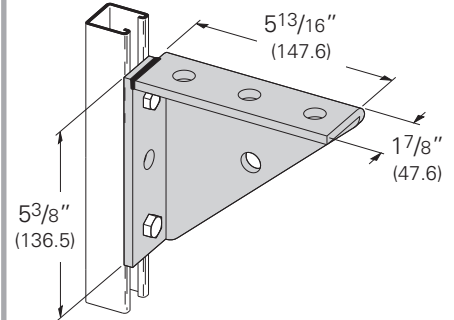
**B844W
Universal Shelf Bracket -
Welded**

- Standard finishes: ZN, GRN
- Wt./C 134 Lbs. (60.8 kg)



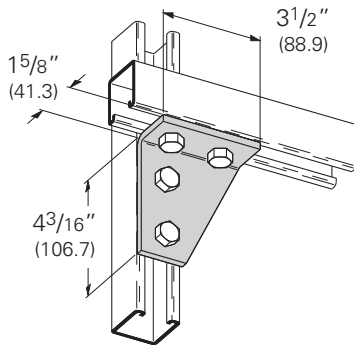
**B888W
Universal Shelf Bracket -
Welded**

- Standard finishes: ZN, GRN
- Wt./C 197 Lbs. (89.4 kg)



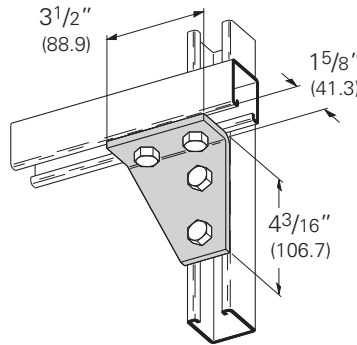
**B234R
Four Hole (Right Hand)
Corner Gusset**

- Standard finishes: ZN, GRN, HDG
- Wt./C 100 Lbs. (45.3 kg)



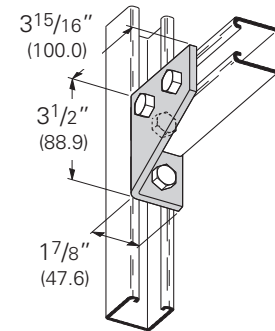
**B234L
Four Hole (Left Hand)
Corner Gusset**

- Standard finishes: ZN, GRN, HDG
- Wt./C 100 Lbs. (45.3 kg)



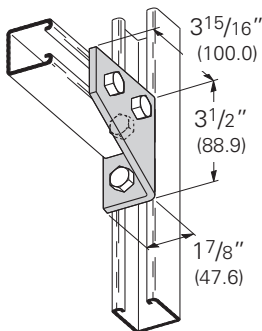
**B134R
Four Hole (Right Hand)
Corner Gusset**

- Standard finishes: ZN, GRN
- Wt./C 100 Lbs. (45.3 kg)



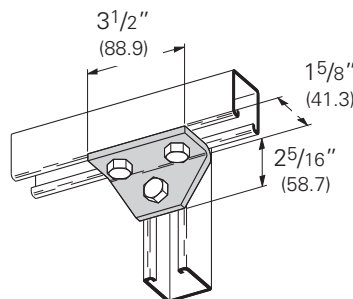
**B134L
Four Hole (Left Hand)
Corner Gusset**

- Standard finishes: ZN, GRN
- Wt./C 100 Lbs. (45.3 kg)



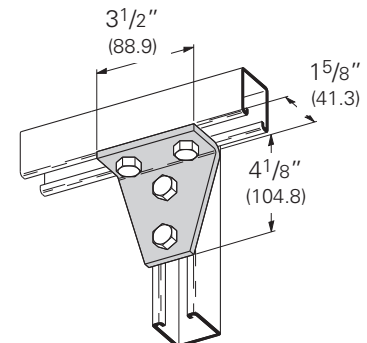
**B125
Three Hole Gussetted
Shelf Angle**

- Standard finishes: ZN, GRN
- Wt./C 67 Lbs. (30.4 kg)



**B118
Four Hole Gussetted
Shelf Angle**

- Standard finishes: ZN, GRN, HDG
- Wt./C 102 Lbs. (46.2 kg)



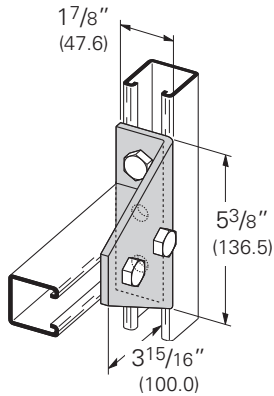
Reference page 73 for general fitting and standard finish specifications.

90° Angle Fittings

B485

Four Hole Gussetted Shelf Angle

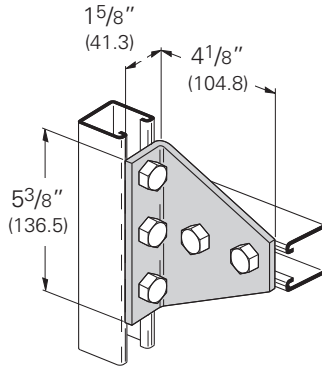
- Standard finishes: ZN, GRN
- Wt./C 148 Lbs. (67.1 kg)



B533

Five Hole Gussetted Shelf Angle

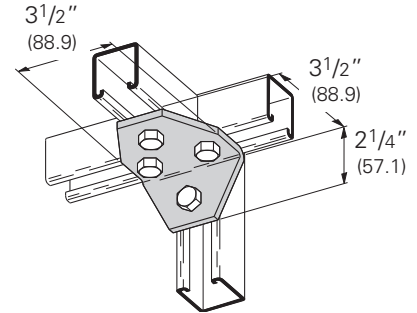
- Standard finishes: ZN, GRN
- Wt./C 141 Lbs. (63.9 kg)



B126

Four Hole Gussetted Three Way Shelf Angle

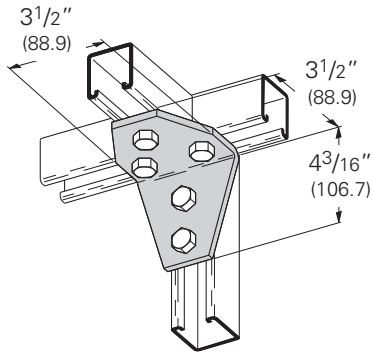
- Standard finishes: ZN, GRN
- Wt./C 101 Lbs. (45.8 kg)



B127

Five Hole Gussetted Three Way Shelf Angle

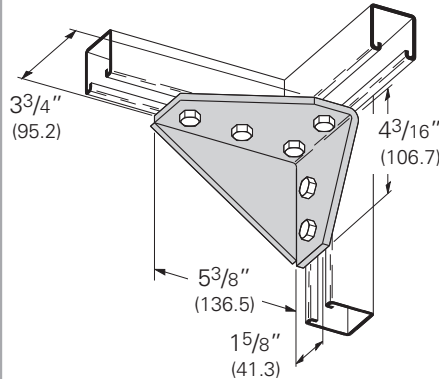
- Standard finishes: ZN, GRN
- Wt./C 135 Lbs. (61.2 kg)



B503R

Six Hole (Right Hand) Gussetted Corner Connection

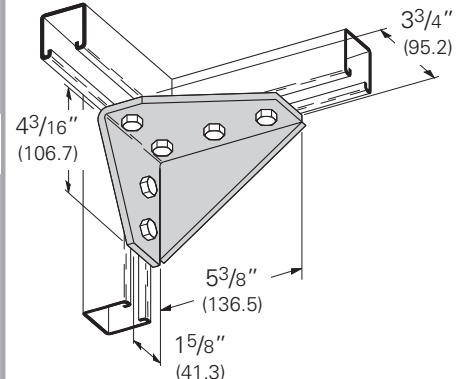
- Standard finishes: ZN, GRN
- Wt./C 229 Lbs. (103.9 kg)



B503L

Six Hole (Left Hand) Gussetted Corner Connection

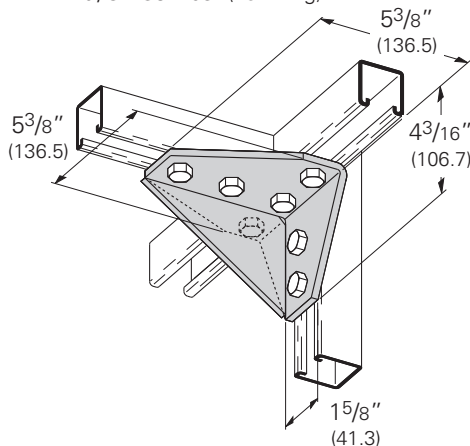
- Standard finishes: ZN, GRN
- Wt./C 229 Lbs. (103.9 kg)



B663

Seven Hole Gussetted Corner Connection

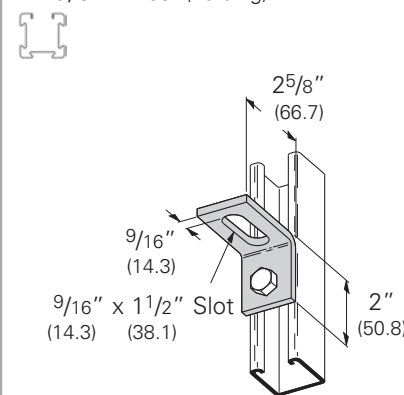
- Standard finishes: ZN, GRN
- Wt./C 289 Lbs. (131.1 kg)



B371

Two Hole Adjustable Corner Angle

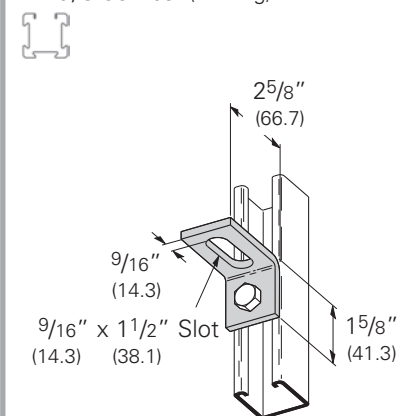
- Standard finishes: ZN, GRN
- Wt./C 41 Lbs. (18.6 kg)



B372

Two Hole Adjustable Corner Angle

- Standard finishes: ZN, GRN
- Wt./C 38 Lbs. (17.2 kg)

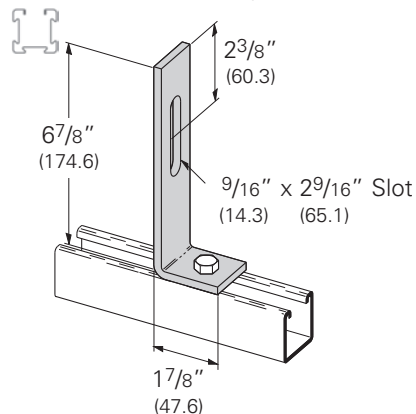


 4Dimension compatible fitting

Reference page 73 for general fitting and standard finish specifications.

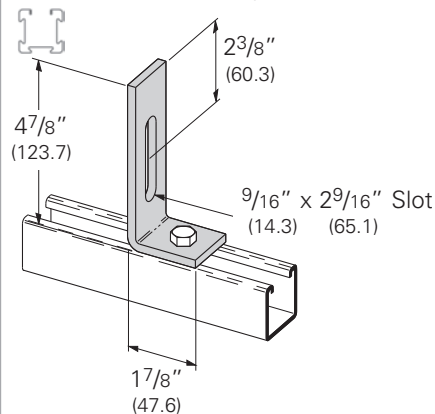
B496 Two Hole Adjustable Corner Angle

- Standard finishes: ZN, GRN
- Wt./C 85 Lbs. (38.5 kg)



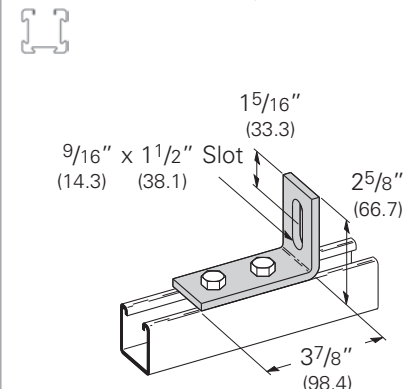
B496-1 Two Hole Adjustable Corner Angle

- Standard finishes: ZN, GRN, HDG
- Wt./C 58 Lbs. (26.3 kg)



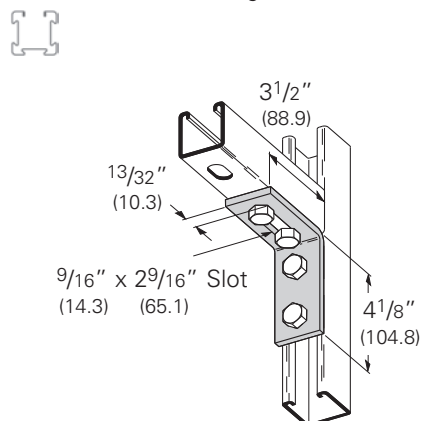
B371-2 Three Hole Adjustable Corner Angle

- Standard finishes: ZN, GRN
- Wt./C 61 Lbs. (27.6 kg)



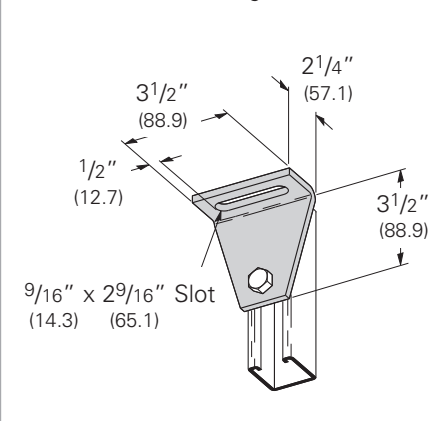
B104SH Three Hole Adjustable Corner Angle

- Standard finishes: ZN, GRN
- Wt./C 68 Lbs. (30.8 kg)



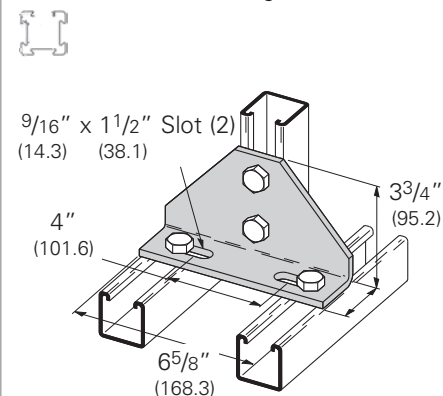
B461 Two Hole Adjustable Corner Angle

- Standard finishes: ZN, GRN
- Wt./C 87 Lbs. (39.4 kg)



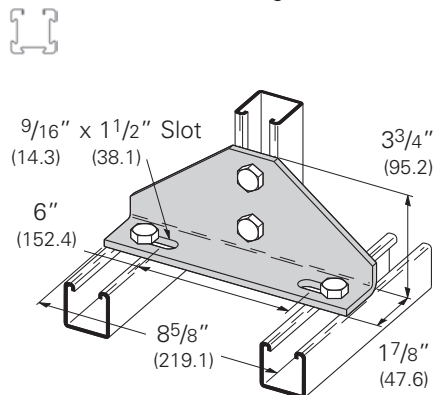
B112 Four Hole Adjustable Corner Angle

- Standard finishes: ZN, GRN
- Wt./C 180 Lbs. (81.6 kg)



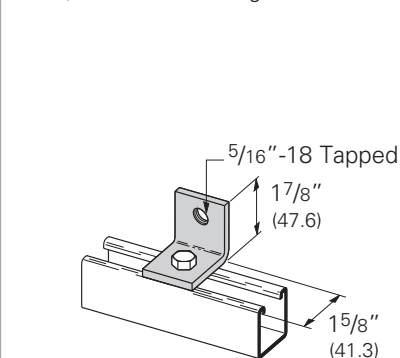
B113 Four Hole Adjustable Corner Angle

- Standard finishes: ZN, GRN
- Wt./C 256 Lbs. (116.1 kg)



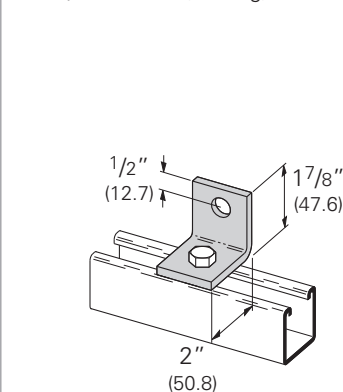
B109S Two Hole Tapped Corner Angle

- Standard finishes: ZN, GRN
- Wt./C 33 Lbs. (14.9 kg)



B521 Two Hole Bus Duct Angle

- Standard finishes: ZN, GRN
- Wt./C 37 Lbs. (16.8 kg)



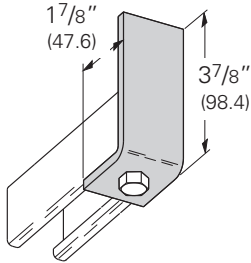
4Dimension compatible fitting

Reference page 73 for general fitting and standard finish specifications.

90° Angle Fittings

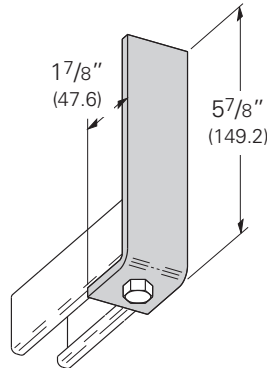
B420-378 One Hole Corner Angle

- Standard finishes: ZN, GRN
- Wt./C 60 Lbs. (27.2 kg)



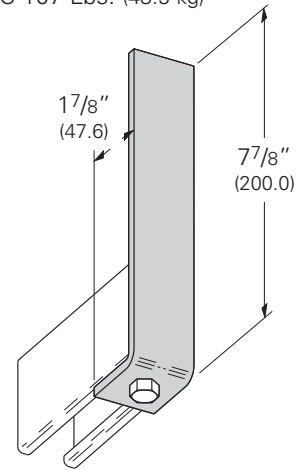
B420-578 One Hole Corner Angle

- Standard finishes: ZN, GRN
- Wt./C 85 Lbs. (38.5 kg)



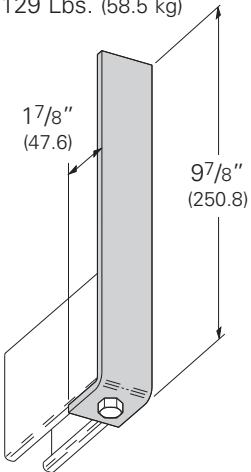
B420-778 One Hole Corner Angle

- Standard finishes: ZN, GRN
- Wt./C 107 Lbs. (48.5 kg)



B420-978 One Hole Corner Angle

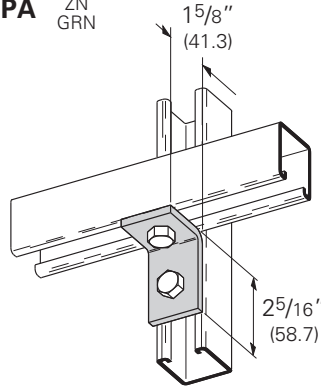
- Standard finishes: ZN, GRN
- Wt./C 129 Lbs. (58.5 kg)



B101 Two Hole Corner Angle

- Standard finishes: ZN, GRN, HDG, SS4, AL
- Wt./C 37 Lbs. (16.8 kg)

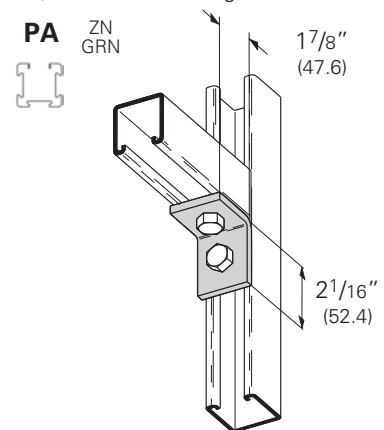
PA ZN GRN



B230 Two Hole Corner Angle

- Standard finishes: ZN, GRN, HDG, SS4, AL
- Wt./C 37 Lbs. (16.8 kg)

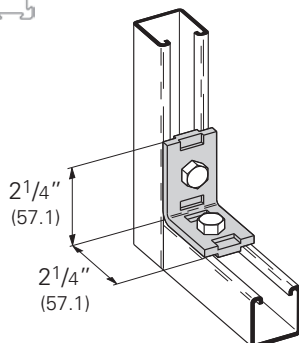
PA ZN GRN



B231 Two Hole "No-Twist" Corner Angle

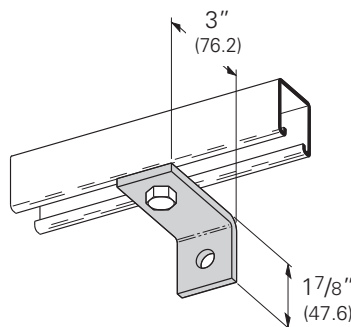
- Standard finishes: ZN, GRN, HDG
- Wt./C 41 Lbs. (18.6 kg)

PA ZN GRN



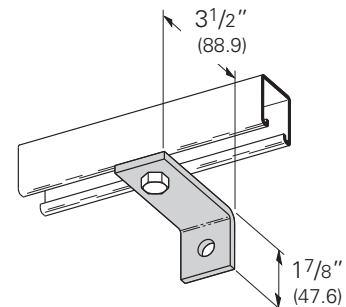
B359 Two Hole Corner Angle

- Standard finishes: ZN, GRN
- Wt./C 48 Lbs. (21.8 kg)



B360 Two Hole Corner Angle

- Standard finishes: ZN, GRN
- Wt./C 53 Lbs. (24.0 kg)



PA Pre-assembled fitting

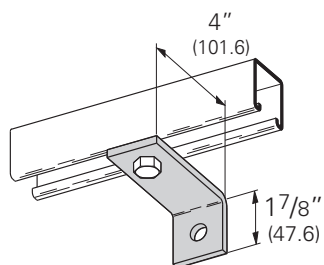


4Dimension compatible fitting

Reference page 73 for general fitting and standard finish specifications.

B361 Two Hole Corner Angle

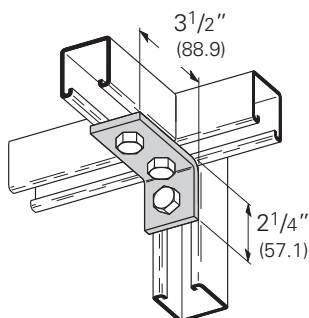
- Standard finishes: ZN, GRN
- Wt./C 60 Lbs. (27.2 kg)



B102 Three Hole Corner Angle

- Standard finishes: ZN, GRN, HDG, SS4
- Wt./C 56 Lbs. (25.4 kg)

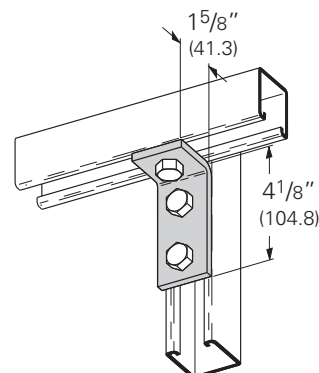
PA ZN GRN



B103 Three Hole Corner Angle

- Standard finishes: ZN, GRN, HDG, SS4
- Wt./C 56 Lbs. (25.4 kg)

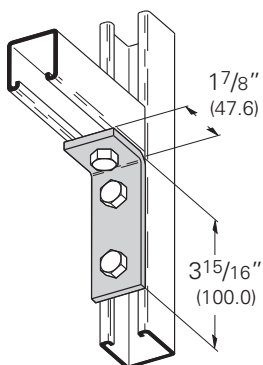
PA ZN GRN



B232 Three Hole Corner Angle

- Standard finishes: ZN, GRN, HDG, SS4
- Wt./C 56 Lbs. (25.4 kg)

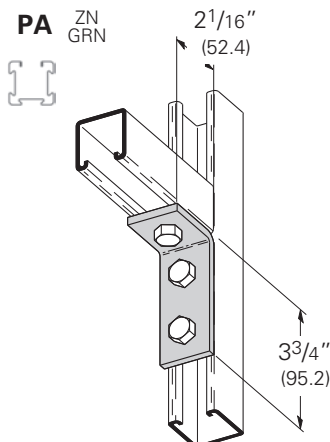
PA ZN GRN



B374 Three Hole Corner Angle

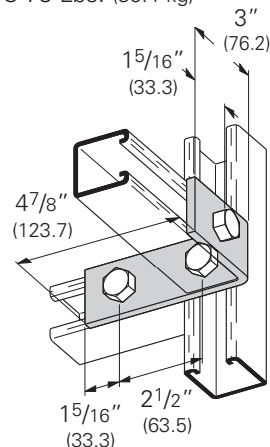
- Standard finishes: ZN, GRN, HDG
- Wt./C 56 Lbs. (25.4 kg)

PA ZN GRN



B529 Three Hole Corner Angle

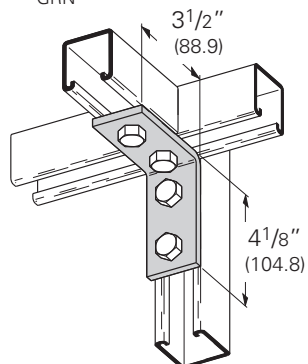
- Standard finishes: ZN, GRN
- Wt./C 78 Lbs. (35.4 kg)



B104 Four Hole Corner Angle

- Standard finishes: ZN, GRN, HDG, SS4, SS6, AL
- Wt./C 78 Lbs. (35.4 kg)

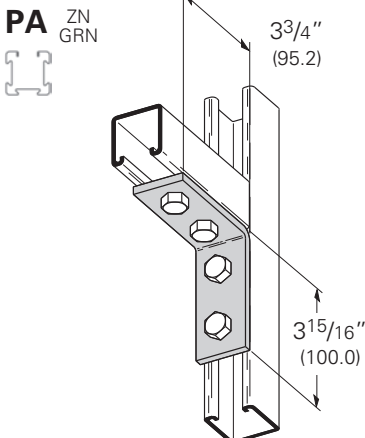
PA ZN GRN



B115 Four Hole Corner Angle

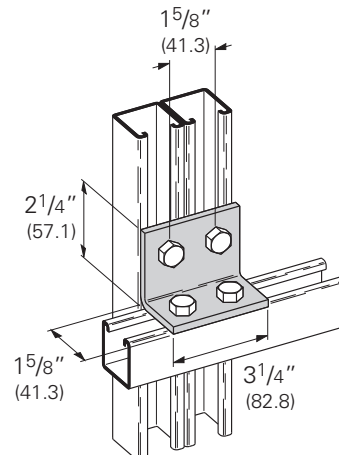
- Standard finishes: ZN, GRN, HDG, SS4, AL
- Wt./C 76 Lbs. (34.5 kg)

PA ZN GRN



B558 Four Hole Corner Angle

- Standard finishes: ZN, GRN
- Wt./C 73 Lbs. (33.1 kg)



PA Pre-assembled fitting



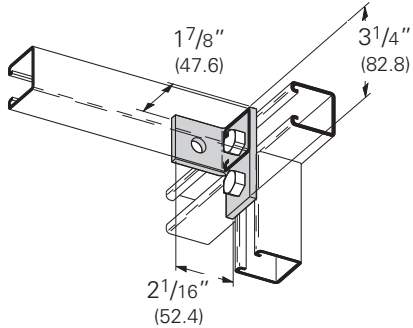
4Dimension compatible fitting

Reference page 73 for general fitting and standard finish specifications.

90° Angle Fittings

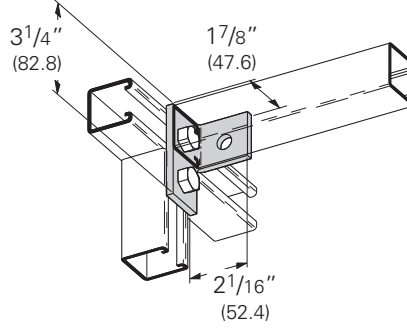
B235R Three Hole (Right Hand) Offset Bent Angle

- 1⁵/₈" (41.3) from center to center of the holes that are shown with bolt heads
- Standard finishes: ZN, GRN
- Wt./C 53 Lbs. (24.0 kg)



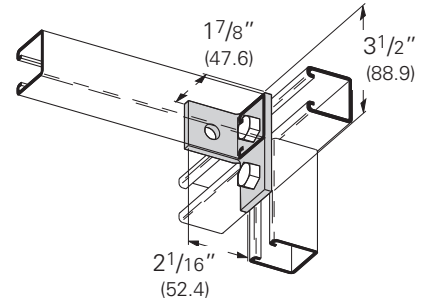
B235L Three Hole (Left Hand) Offset Bent Angle

- 1⁵/₈" (41.3) from center to center of the holes that are shown with bolt heads
- Standard finishes: ZN, GRN
- Wt./C 53 Lbs. (24.0 kg)



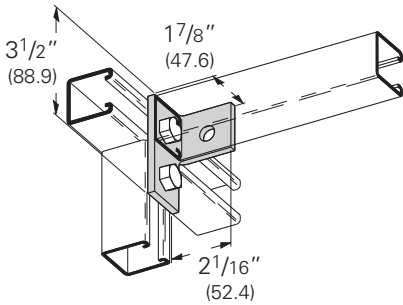
B236R Three Hole (Right Hand) Offset Bent Angle

- Standard finishes: ZN, GRN
- Wt./C 65 Lbs. (29.5 kg)



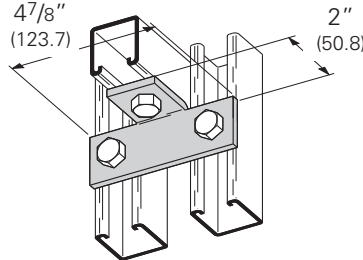
B236L Three Hole (Left Hand) Offset Bent Angle

- Standard finishes: ZN, GRN
- Wt./C 65 Lbs. (29.5 kg)



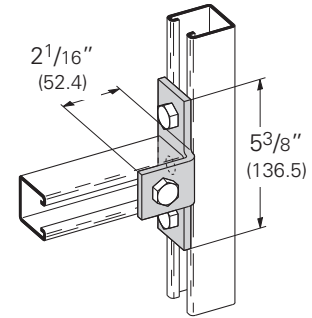
B237 Three Hole Offset Bent Tee

- Standard finishes: ZN, GRN
- Wt./C 71 Lbs. (32.2 kg)



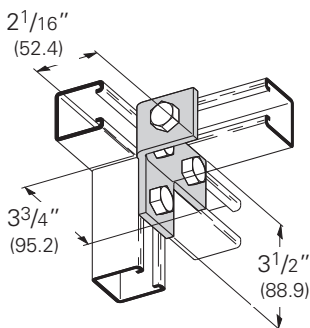
B357 Four Hole Offset Bent Tee

- Standard finishes: ZN, GRN
- Wt./C 77 Lbs. (34.9 kg)



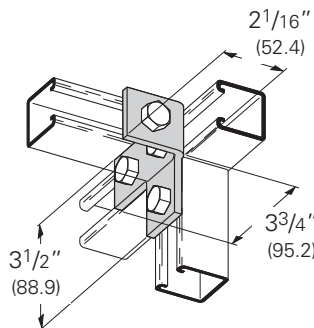
B238R Four Hole (Right Hand) Offset Bent Tee

- Standard finishes: ZN, GRN
- Wt./C 76 Lbs. (34.5 kg)



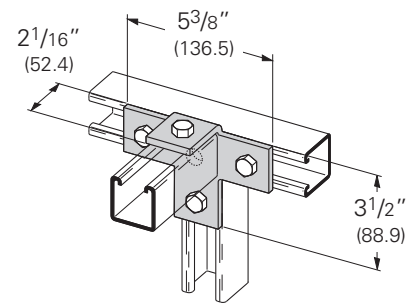
B238L Four Hole (Left Hand) Offset Bent Tee

- Standard finishes: ZN, GRN
- Wt./C 76 Lbs. (34.5 kg)



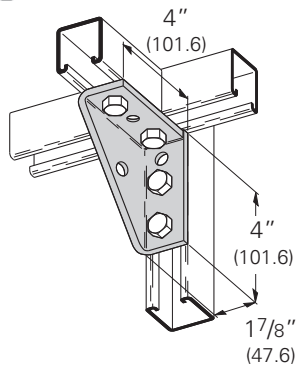
B239 Five Hole Offset Bent Tee

- Standard finishes: ZN, GRN
- Wt./C 96 Lbs. (43.5 kg)



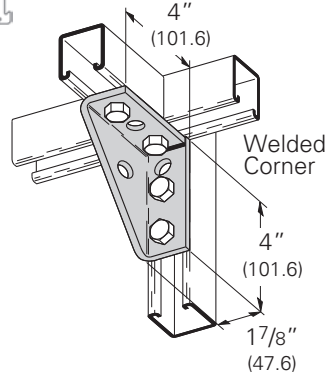
B844
Universal Shelf Bracket

- Standard finishes: ZN, GRN, HDG, SS4
- Wt./C 132 Lbs. (59.9 kg)



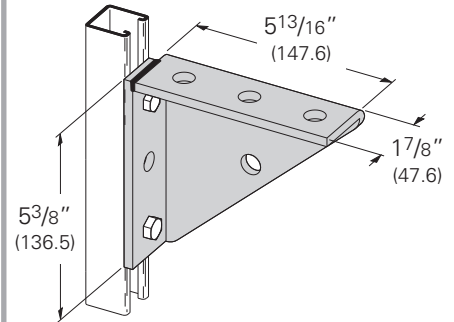
B844W
Universal Shelf Bracket - Welded

- Standard finishes: ZN, GRN
- Wt./C 134 Lbs. (60.8 kg)



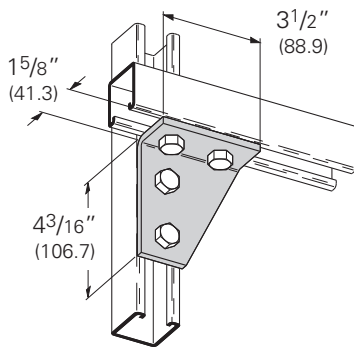
B888W
Universal Shelf Bracket - Welded

- Standard finishes: ZN, GRN
- Wt./C 197 Lbs. (89.4 kg)



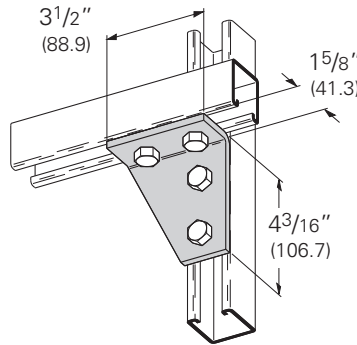
B234R
Four Hole (Right Hand) Corner Gusset

- Standard finishes: ZN, GRN, HDG
- Wt./C 100 Lbs. (45.3 kg)



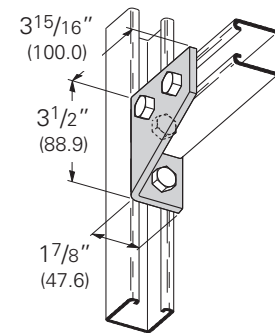
B234L
Four Hole (Left Hand) Corner Gusset

- Standard finishes: ZN, GRN, HDG
- Wt./C 100 Lbs. (45.3 kg)



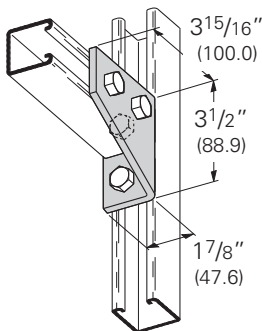
B134R
Four Hole (Right Hand) Corner Gusset

- Standard finishes: ZN, GRN
- Wt./C 100 Lbs. (45.3 kg)



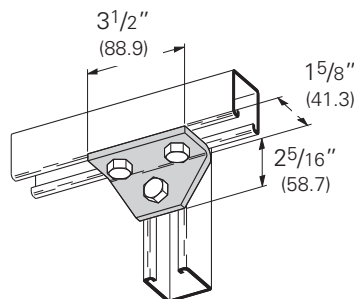
B134L
Four Hole (Left Hand) Corner Gusset

- Standard finishes: ZN, GRN
- Wt./C 100 Lbs. (45.3 kg)



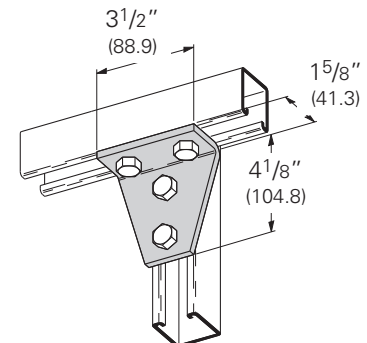
B125
Three Hole Gussetted Shelf Angle

- Standard finishes: ZN, GRN
- Wt./C 67 Lbs. (30.4 kg)



B118
Four Hole Gussetted Shelf Angle

- Standard finishes: ZN, GRN, HDG
- Wt./C 102 Lbs. (46.2 kg)



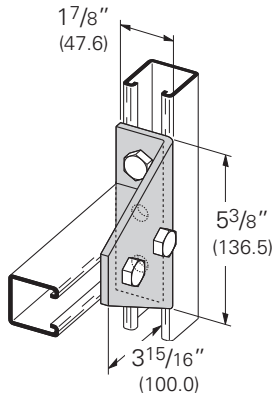
Reference page 73 for general fitting and standard finish specifications.

90° Angle Fittings

B485

Four Hole Gussetted Shelf Angle

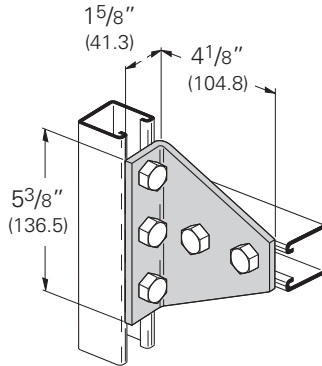
- Standard finishes: ZN, GRN
- Wt./C 148 Lbs. (67.1 kg)



B533

Five Hole Gussetted Shelf Angle

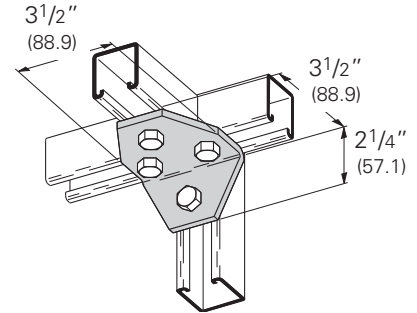
- Standard finishes: ZN, GRN
- Wt./C 141 Lbs. (63.9 kg)



B126

Four Hole Gussetted Three Way Shelf Angle

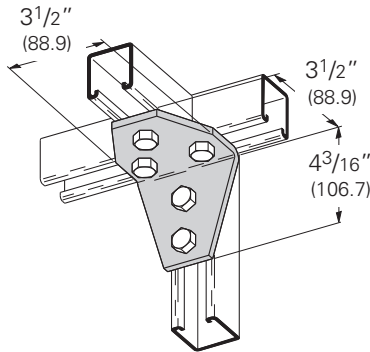
- Standard finishes: ZN, GRN
- Wt./C 101 Lbs. (45.8 kg)



B127

Five Hole Gussetted Three Way Shelf Angle

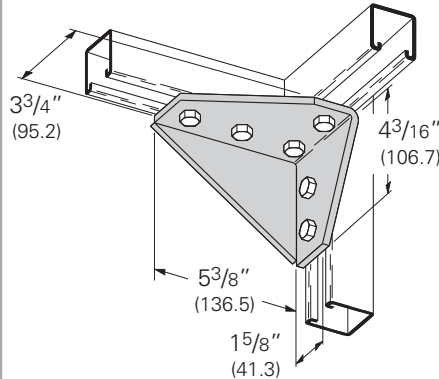
- Standard finishes: ZN, GRN
- Wt./C 135 Lbs. (61.2 kg)



B503R

Six Hole (Right Hand) Gussetted Corner Connection

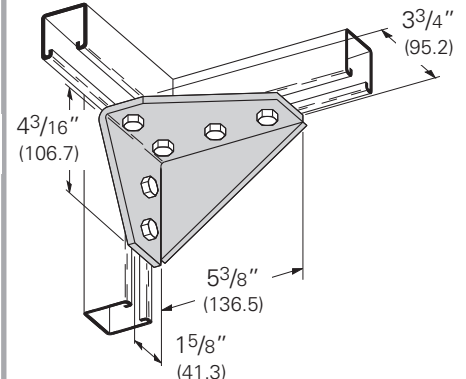
- Standard finishes: ZN, GRN
- Wt./C 229 Lbs. (103.9 kg)



B503L

Six Hole (Left Hand) Gussetted Corner Connection

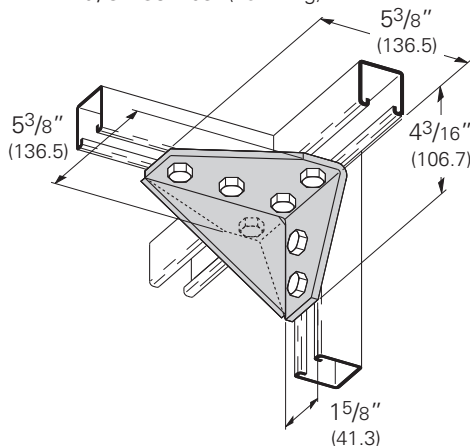
- Standard finishes: ZN, GRN
- Wt./C 229 Lbs. (103.9 kg)



B663

Seven Hole Gussetted Corner Connection

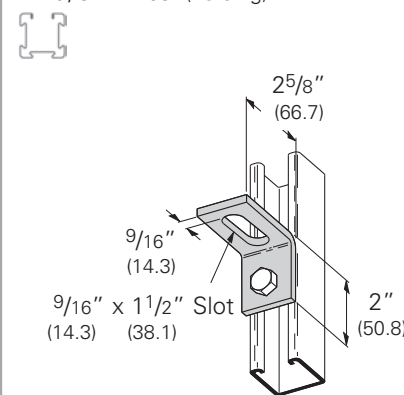
- Standard finishes: ZN, GRN
- Wt./C 289 Lbs. (131.1 kg)



B371

Two Hole Adjustable Corner Angle

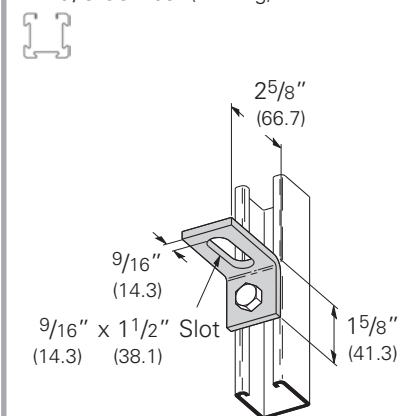
- Standard finishes: ZN, GRN
- Wt./C 41 Lbs. (18.6 kg)



B372

Two Hole Adjustable Corner Angle

- Standard finishes: ZN, GRN
- Wt./C 38 Lbs. (17.2 kg)

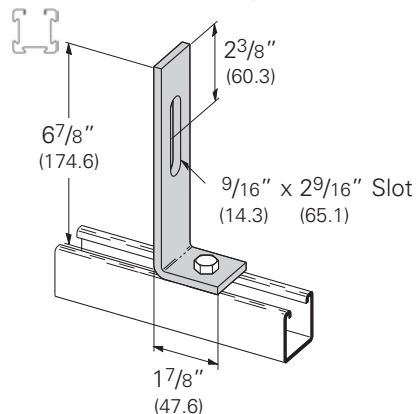


 4Dimension compatible fitting

Reference page 73 for general fitting and standard finish specifications.

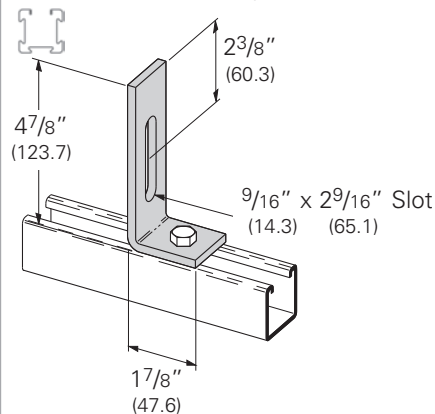
B496 Two Hole Adjustable Corner Angle

- Standard finishes: ZN, GRN
- Wt./C 85 Lbs. (38.5 kg)



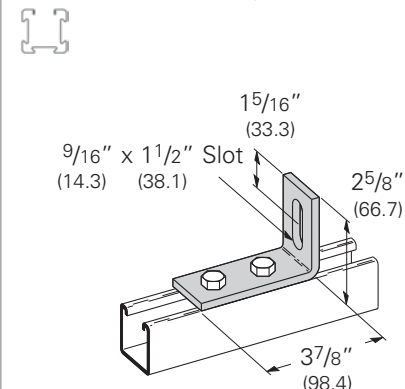
B496-1 Two Hole Adjustable Corner Angle

- Standard finishes: ZN, GRN, HDG
- Wt./C 58 Lbs. (26.3 kg)



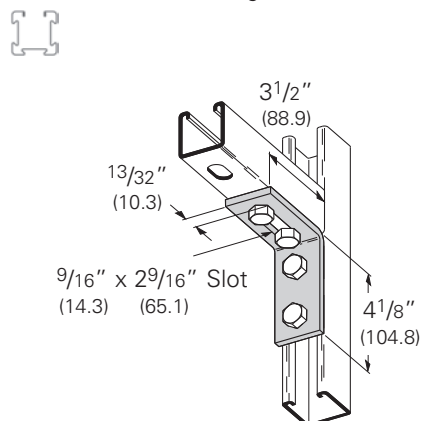
B371-2 Three Hole Adjustable Corner Angle

- Standard finishes: ZN, GRN
- Wt./C 61 Lbs. (27.6 kg)



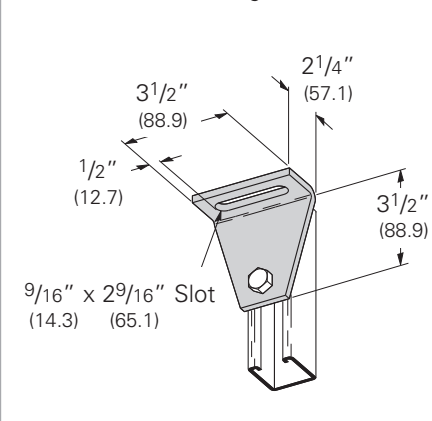
B104SH Three Hole Adjustable Corner Angle

- Standard finishes: ZN, GRN
- Wt./C 68 Lbs. (30.8 kg)



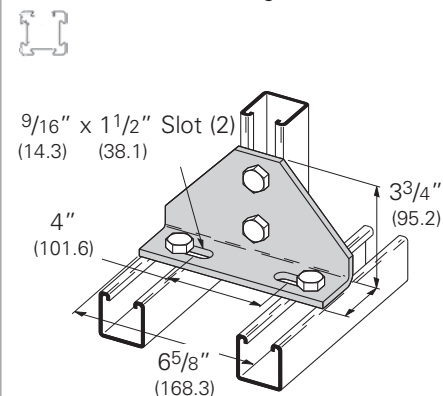
B461 Two Hole Adjustable Corner Angle

- Standard finishes: ZN, GRN
- Wt./C 87 Lbs. (39.4 kg)



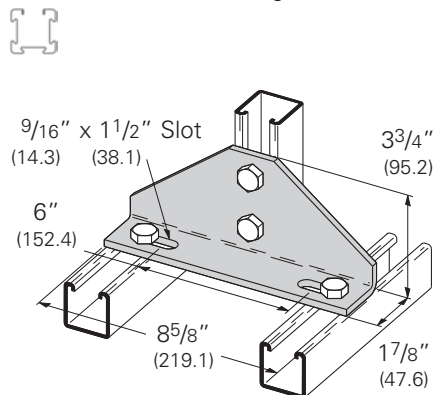
B112 Four Hole Adjustable Corner Angle

- Standard finishes: ZN, GRN
- Wt./C 180 Lbs. (81.6 kg)



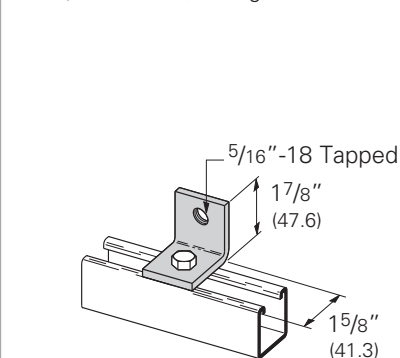
B113 Four Hole Adjustable Corner Angle

- Standard finishes: ZN, GRN
- Wt./C 256 Lbs. (116.1 kg)



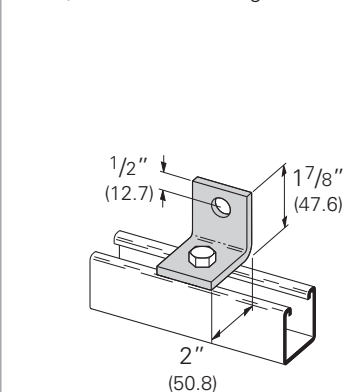
B109S Two Hole Tapped Corner Angle

- Standard finishes: ZN, GRN
- Wt./C 33 Lbs. (14.9 kg)



B521 Two Hole Bus Duct Angle

- Standard finishes: ZN, GRN
- Wt./C 37 Lbs. (16.8 kg)



4Dimension compatible fitting

Reference page 73 for general fitting and standard finish specifications.