

Sure-Lites

DESCRIPTION

The APWR LED remote series is a UL924 code compliant solution for emergency lighting. It operates on 3.6 volts and can be powered from the APXH exit or APCH combo series. It is wet location listed and can be used indoors or outdoors. The two head versions will create 17 feet of emergency egress coverage. Housings color options are white or black.

Catalog #		Type
Project		
Comments		Date
Prepared by		

SPECIFICATION FEATURES

Electrical

- 3.6V DC Input Voltage

Lampholder/Mounting Plate Construction

- Flame resistant and impact resistant, injection molded thermoplastic
- Lamp heads adjust 80° from vertical with 358° rotation
- Universal mounting plate
- Available in white or black

Code Compliance

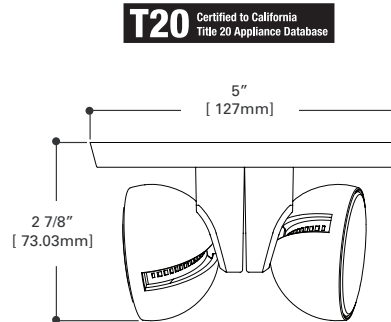
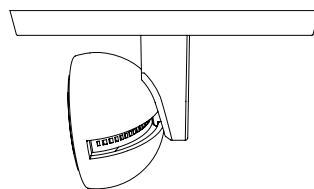
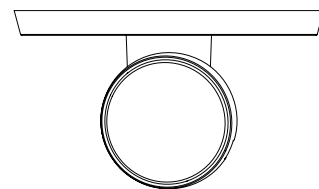
- UL 924 Listed
- Wet Location Listed (APWR)
- 0 °C to 40 °C (32 °F to 104 °F) temperature rating
- California Energy Code compliant

Head/Lamp Data

- Long Life LED Emergency Heads
- Fully adjustable
- High impact thermoplastic
- Matches housing finish
- 3.6V, .78W DC Long Lasting LED Heads

Warranty

- Five-year warranty

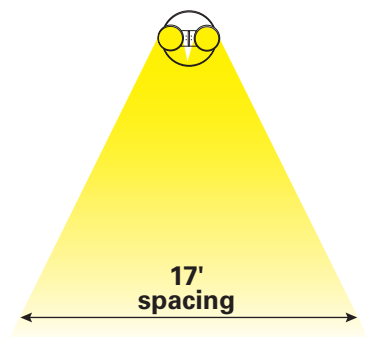


ORDERING INFORMATION

SAMPLE NUMBER: APWR2BK

Series	Remote Heads	Housing Color	Catalog numbers
APWR	1 = one LED head 2 = two LED heads	_ = White BK = Black	APWR1, APWR2, APWR1BK, APWR2BK

APWR SPACING



APWR SERIES

REMOTE HEADS
LED EMERGENCY HEADS
WET LOCATION LISTED



ENERGY DATA

Power Consumption is equal to LED head wattage.

Sure-Lites

DESCRIPTION

The APWR LED remote series is a UL924 code compliant solution for emergency lighting. It operates on 3.6 volts and can be powered from the APXH exit or APCH combo series. It is wet location listed and can be used indoors or outdoors. The two head versions will create 17 feet of emergency egress coverage. Housings color options are white or black.

Catalog #		Type
Project		
Comments		Date
Prepared by		

SPECIFICATION FEATURES

Electrical

- 3.6V DC Input Voltage

Lampholder/Mounting Plate Construction

- Flame resistant and impact resistant, injection molded thermoplastic
- Lamp heads adjust 80° from vertical with 358° rotation
- Universal mounting plate
- Available in white or black

Code Compliance

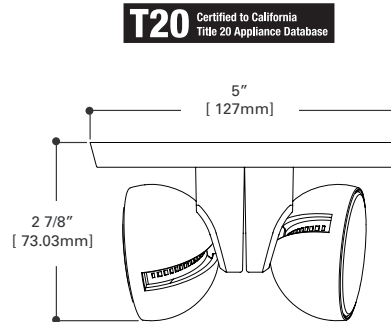
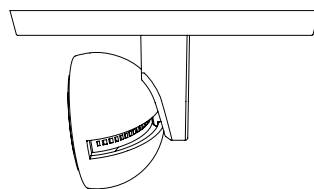
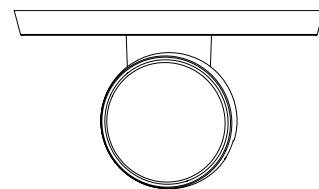
- UL 924 Listed
- Wet Location Listed (APWR)
- 0 °C to 40 °C (32 °F to 104 °F) temperature rating
- California Energy Code compliant

Head/Lamp Data

- Long Life LED Emergency Heads
- Fully adjustable
- High impact thermoplastic
- Matches housing finish
- 3.6V, .78W DC Long Lasting LED Heads

Warranty

- Five-year warranty

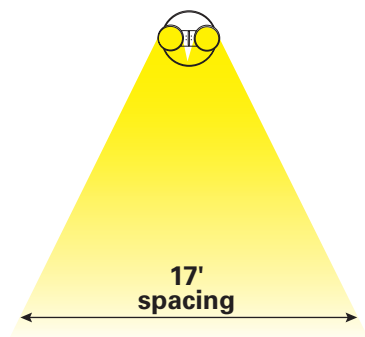


ORDERING INFORMATION

SAMPLE NUMBER: APWR2BK

Series	Remote Heads	Housing Color	Catalog numbers
APWR	1 = one LED head 2 = two LED heads	_ = White BK = Black	APWR1, APWR2, APWR1BK, APWR2BK

APWR SPACING



APWR SERIES

REMOTE HEADS
LED EMERGENCY HEADS
WET LOCATION LISTED



ENERGY DATA

Power Consumption is equal to LED head wattage.