



Catalog Number: A-HS200  
Item Description: HOLE SEALS  
UPC Code: 784572187870

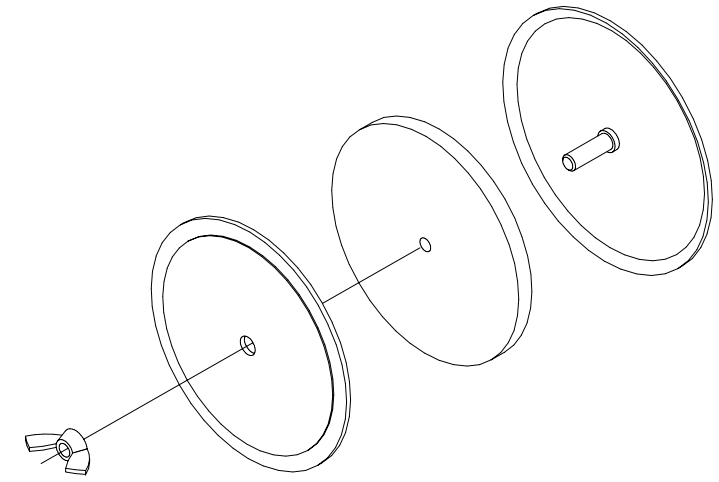
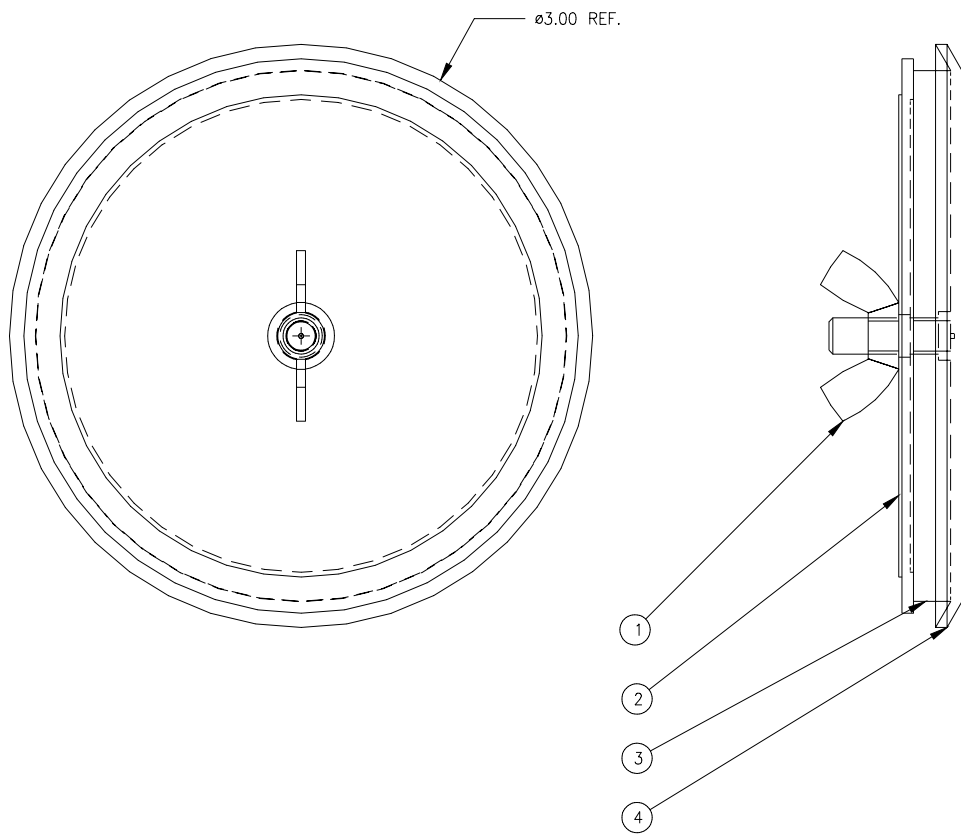
Brand Name: Milbank  
Type: Hole Seal  
Application: Enclosure Accessory  
Material: Steel  
Color: ANSI 61 Gray  
Insulation: None  
Consist Of: Hole Seal and Rubber Gasket  
Knockouts: False



*Utility requirements may vary. Always consult the serving utility for their requirements prior to ordering or installing this equipment. This product must always be installed by a licensed electrician. Installation of this equipment may require local electrical inspector approval.*

CATALOG NO.	MATERIAL
A-HS200	16 GA CRS
A-HS200XS	16 GA STAINLESS

BILL OF MATERIAL		
NO.	QTY.	DESCRIPTION
1	1	10-32 WING NUT
2	1	GALVANIZED BACK PLATE
3	1	GASKET
4	1	CAP W/ 10-32 WELD STUD



ISOMETRIC VIEW

NOTE:  
HOLE SEAL USED FOR  
2 INCH CONDUIT.  
(2.50 MAX. HOLE DIA)

REV.	DATE	DESCRIPTION	BY
B	5/18/98	REDRAWN TO 3D GEOMETRY:	DW
MATERIAL		16 GA CRS/ 16 GA STAINLESS	
FINISH			
CATALOG NUMBER		SEE CHART	
TITLE		2" HOLE SEAL	
THIRD ANGLE		CUSTOMER	MILBANK STANDARD
PROJECTION		DRAWING NUMBER	705775-11
DRAWN:	DW	SCALE:	MILBANK MFG. CO. GENERAL OFFICES KANSAS CITY, MO.
CHKD:		NTS	
APPR:		DATE:	
		5/13/98	

TOLERANCES:	
UNLESS NOTED OTHERWISE:	
X.X	± .1
X.XX	± .03
X.XXX	± .015
X	± 2



Catalog Number: A-HS200  
Item Description: HOLE SEALS  
UPC Code: 784572187870

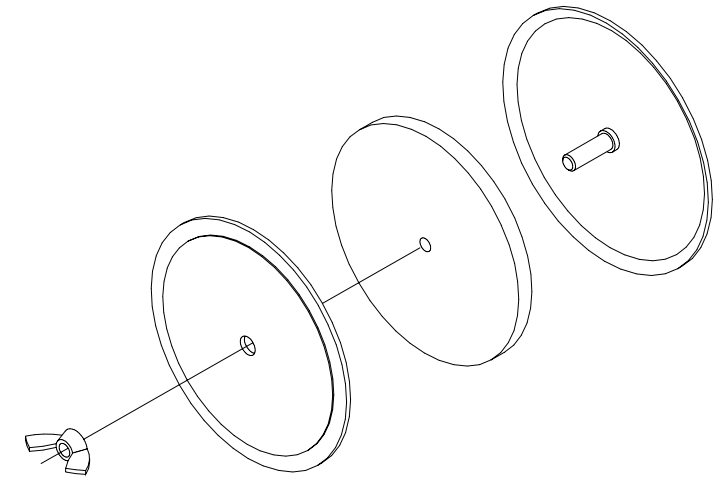
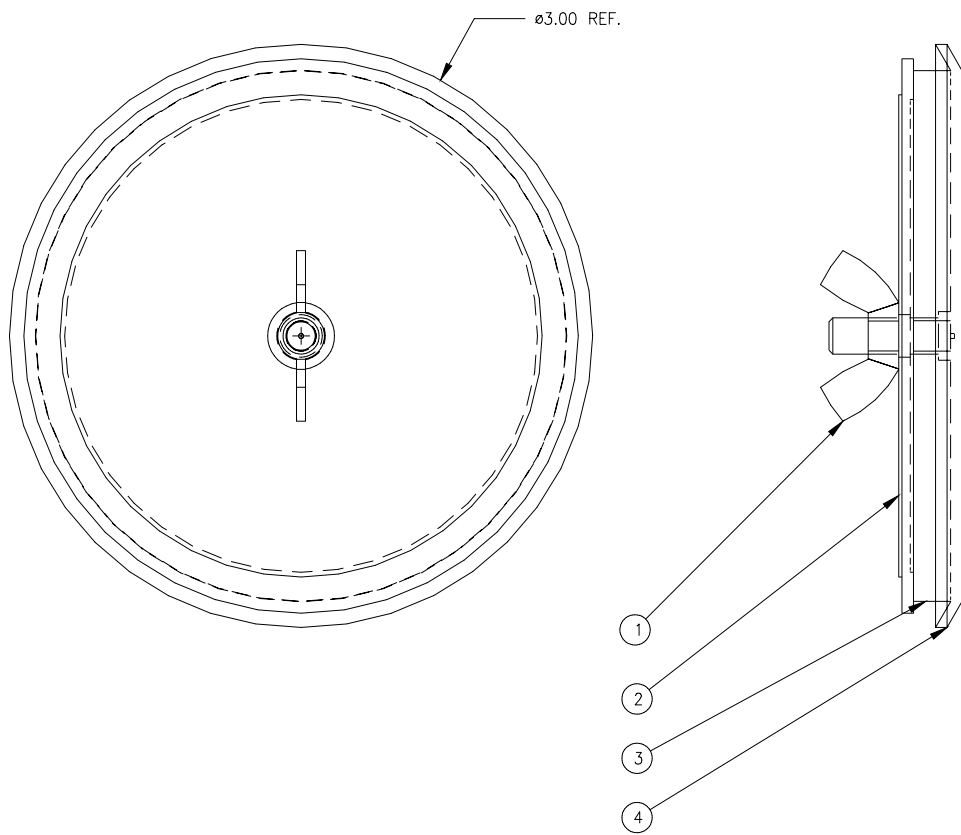
Brand Name: Milbank  
Type: Hole Seal  
Application: Enclosure Accessory  
Material: Steel  
Color: ANSI 61 Gray  
Insulation: None  
Consist Of: Hole Seal and Rubber Gasket  
Knockouts: False



*Utility requirements may vary. Always consult the serving utility for their requirements prior to ordering or installing this equipment. This product must always be installed by a licensed electrician. Installation of this equipment may require local electrical inspector approval.*

CATALOG NO.	MATERIAL
A-HS200	16 GA CRS
A-HS200XS	16 GA STAINLESS

BILL OF MATERIAL		
NO.	QTY.	DESCRIPTION
1	1	10-32 WING NUT
2	1	GALVANIZED BACK PLATE
3	1	GASKET
4	1	CAP W/ 10-32 WELD STUD

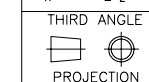


ISOMETRIC VIEW

NOTE:  
HOLE SEAL USED FOR  
2 INCH CONDUIT.  
(2.50 MAX. HOLE DIA)

REV.	DATE	DESCRIPTION	BY
B	5/18/98	REDRAWN TO 3D GEOMETRY:	DW
MATERIAL		16 GA CRS/ 16 GA STAINLESS	
FINISH			
CATALOG NUMBER		SEE CHART	
TITLE		2" HOLE SEAL	
CUSTOMER		MILBANK STANDARD	
DRAWING NUMBER		705775-11	
SCALE:		NTS	
DATE:		5/13/98	
GENERAL OFFICES		KANSAS CITY, MO.	

TOLERANCES:	
UNLESS NOTED OTHERWISE	
X.X	± .1
X.XX	± .03
X.XXX	± .015
X	± .2



DRAWN:	DW
CHKD:	
APPR:	