



Catalog Number: A-HS075
Item Description: HOLE SEALS
UPC Code: 784572187849

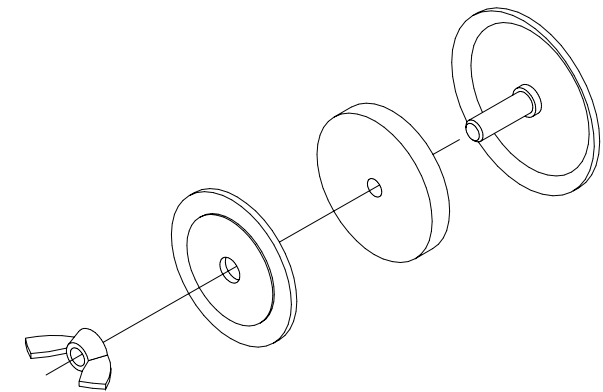
Brand Name: Milbank
Type: Hole Seal
Application: Enclosure Accessory
Material: Steel
Color: ANSI 61 Gray
Insulation: None
Consist Of: Hole Seal and Rubber Gasket
Knockouts: False



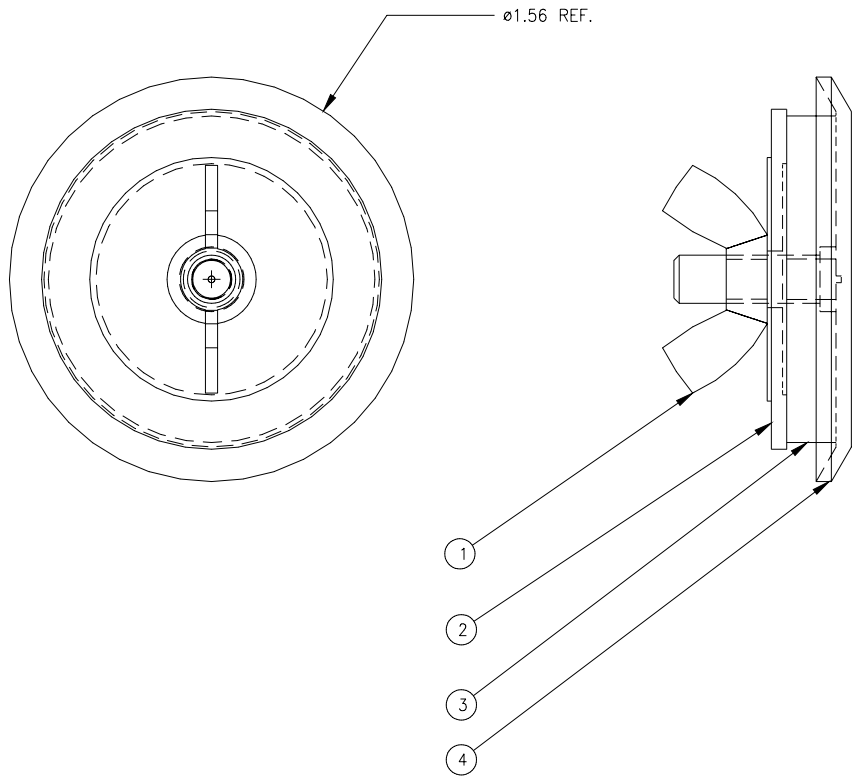
Utility requirements may vary. Always consult the serving utility for their requirements prior to ordering or installing this equipment. This product must always be installed by a licensed electrician. Installation of this equipment may require local electrical inspector approval.

CATALOG NO.	MATERIAL
A-HS075	16 GA CRS
A-HS075XS	16 GA STAINLESS

BILL OF MATERIAL		
NO.	QTY.	DESCRIPTION
1	1	10-32 WING NUT
2	1	GALVANIZED BACK PLATE
3	1	GASKET
4	1	CAP W/ 10-32 WELD STUD



ISOMETRIC VIEW



NOTE:
 HOLE SEAL USED FOR
 3/4 INCH CONDUIT.
 (1.06 MAX. HOLE DIA)

REV.	DATE	DESCRIPTION	BY
B	5/19/98	REDRAWN TO 3D GEOMETRY:	DW
MATERIAL		16 GA CRS/ 16 GA STAINLESS	
FINISH			
CATALOG NUMBER		SEE CHART	
TITLE		3/4" HOLE SEAL	
THIRD ANGLE		CUSTOMER	MILBANK STANDARD
PROJECTION		DRAWING NUMBER	705772-11
DRAWN:	DW	SCALE:	NTS
CHKD:		DATE:	5/12/98
APPR:		MILBANK MFG. CO. GENERAL OFFICES KANSAS CITY, MO.	

TOLERANCES:	
UNLESS NOTED OTHERWISE	
X.X	$\pm .1$
X.XX	$\pm .03$
X.XXX	$\pm .015$
X'	$\pm 2'$



Catalog Number: A-HS075
Item Description: HOLE SEALS
UPC Code: 784572187849

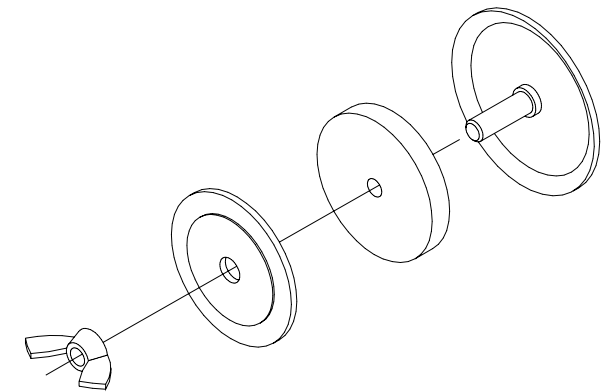
Brand Name: Milbank
Type: Hole Seal
Application: Enclosure Accessory
Material: Steel
Color: ANSI 61 Gray
Insulation: None
Consist Of: Hole Seal and Rubber Gasket
Knockouts: False



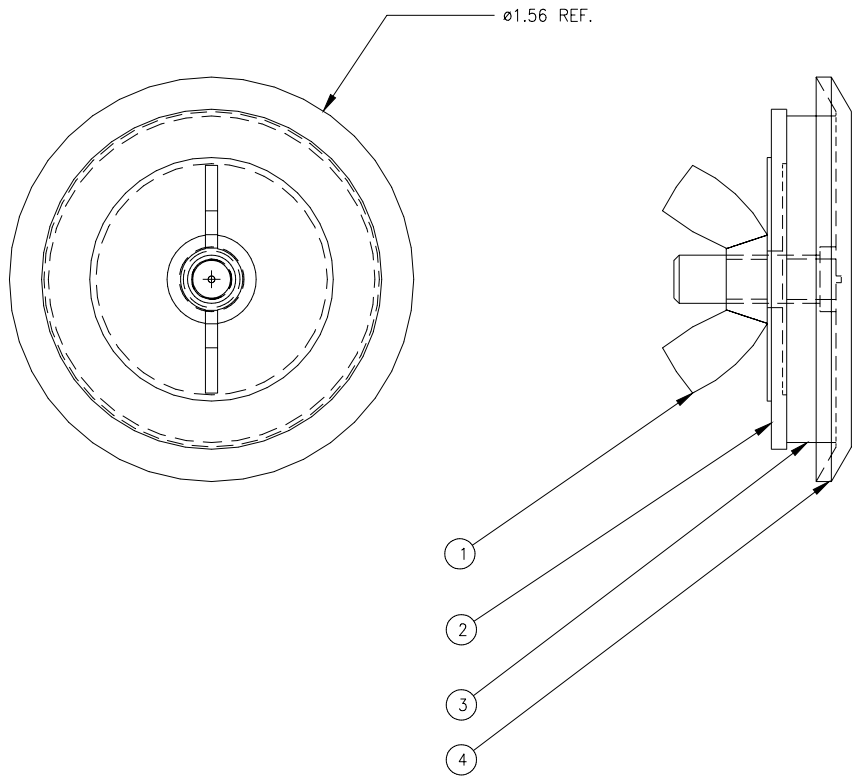
Utility requirements may vary. Always consult the serving utility for their requirements prior to ordering or installing this equipment. This product must always be installed by a licensed electrician. Installation of this equipment may require local electrical inspector approval.

CATALOG NO.	MATERIAL
A-HS075	16 GA CRS
A-HS075XS	16 GA STAINLESS

BILL OF MATERIAL		
NO.	QTY.	DESCRIPTION
1	1	10-32 WING NUT
2	1	GALVANIZED BACK PLATE
3	1	GASKET
4	1	CAP W/ 10-32 WELD STUD



ISOMETRIC VIEW



NOTE:
 HOLE SEAL USED FOR
 3/4" INCH CONDUIT.
 (1.06 MAX. HOLE DIA)

REV.	DATE	DESCRIPTION	BY
B	5/19/98	REDRAWN TO 3D GEOMETRY:	DW
MATERIAL		16 GA CRS/ 16 GA STAINLESS	
FINISH			
CATALOG NUMBER		SEE CHART	
TITLE		3/4" HOLE SEAL	
THIRD ANGLE		CUSTOMER	MILBANK STANDARD
PROJECTION		DRAWING NUMBER	705772-11
DRAWN:	DW	SCALE:	NTS
CHKD:		DATE:	5/12/98
APPR:		MILBANK MFG. CO. GENERAL OFFICES KANSAS CITY, MO.	

TOLERANCES:	
UNLESS NOTED OTHERWISE	
X.X	$\pm .1$
X.XX	$\pm .03$
X.XXX	$\pm .015$
X'	$\pm 2'$