

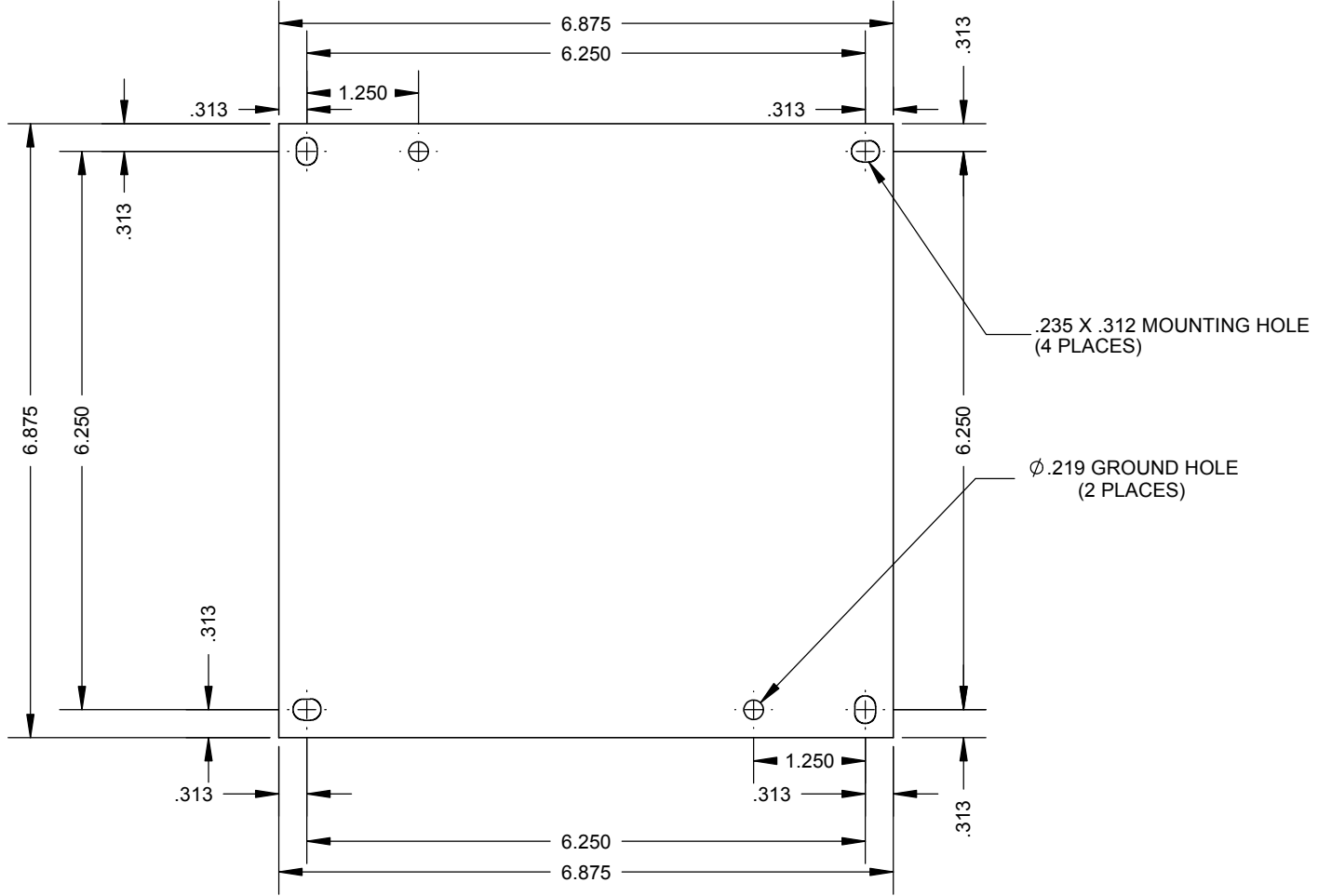



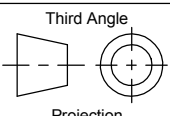
Catalog Number: A-88SBP
Item Description: STEEL PANELS
UPC Code: 784572174108

Brand Name: Milbank
Type: Panel for Mounting Electronic Controls
Application: Enclosure Accessory
Material: Steel
Shape: Square
Color: White
Mounting: Stud Mount



Utility requirements may vary. Always consult the serving utility for their requirements prior to ordering or installing this equipment. This product must always be installed by a licensed electrician. Installation of this equipment may require local electrical inspector approval.



Material:	16 GA. GALV.	 MILBANK General Offices: Kansas City, MO <small>ENERGY AT WORK</small>	Title:	BACK PANEL 8 X 8 ENCLOSURE	
Finish:	PAINTED WHITE		Catalog No.:	A-88SBP	
Tolerances: Unless Specified Otherwise X.X ±.1 X.XX ±.03 X.XXX ±.015 X° ±2°		 Third Angle Projection	Ref:	eECR2819	
Scale:	NTS		Checked By:		
Drawn By:	AJS	Approved By:		Drawing No.:	1012361
			Date:	08/05/14 Sheet 1 of 1	

**	08/05/14	FIRST RELEASE	AJS			
----	----------	---------------	-----	--	--	--

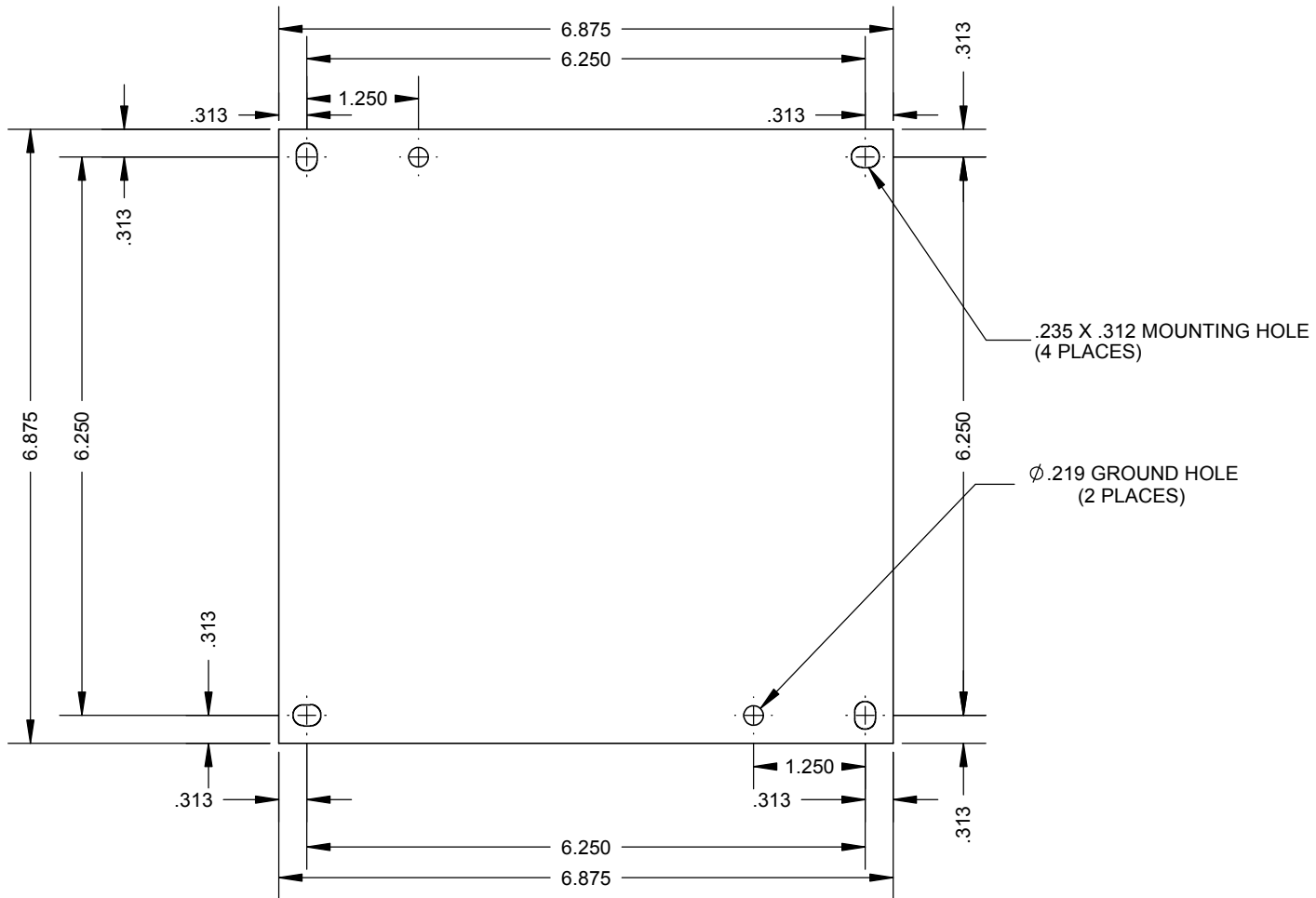



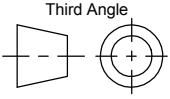
Catalog Number: A-88SBP
Item Description: STEEL PANELS
UPC Code: 784572174108

Brand Name: Milbank
Type: Panel for Mounting Electronic Controls
Application: Enclosure Accessory
Material: Steel
Shape: Square
Color: White
Mounting: Stud Mount



Utility requirements may vary. Always consult the serving utility for their requirements prior to ordering or installing this equipment. This product must always be installed by a licensed electrician. Installation of this equipment may require local electrical inspector approval.



Material:	16 GA. GALV.	 MILBANK <small>ENERGY AT WORK</small>	General Offices: Kansas City, MO	
Finish:	PAINTED WHITE		Title:	BACK PANEL 8 X 8 ENCLOSURE
Tolerances: Unless Specified Otherwise X.X ±.1 X.XX ±.03 X.XXX ±.015 X° ±2°		Catalog No.:	A-88SBP	
Third Angle  Projection		Ref:	eECR2819	
Scale:	NTS	Checked By:		
Drawn By:	AJS	Approved By:		
		Drawing No.:	1012361	
		Date:	08/05/14 Sheet 1 of 1	

**	08/05/14	FIRST RELEASE	AJS			
----	----------	---------------	-----	--	--	--