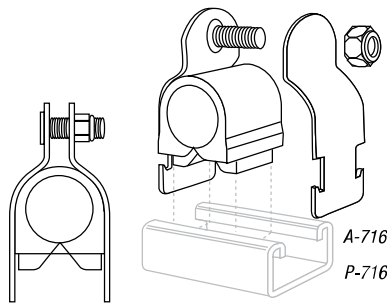


## Pipe Straps, Conduit Clamps and Hangers

### A-716 — Snap•Guard® Cushioned Clamp Tube Series

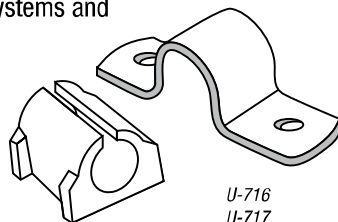
#### P-716 — Pipe Series

- Assembly consisting of GoldGalv® finish steel clamp with bolt/locknut and cushion
- Secure pipes, tubes and hoses for fluid conductors
- Installation is easy and requires no more time than a simple pipe clamp installation
- Cushion absorbs the shocks and associated vibrations from fluid surges in tubes, pipes and hoses
- Can handle temperatures from -40° F to 300° F
- Cushioned Clamp assemblies are available individually bagged



### U-716, U-717 — Two-Hole Cushioned Clamp

- Guides, protects and uniformly spaces line runs. Low-cost, time-saving method of attaching tubing and hose to equipment
- Cushion is built to withstand the effects of most oils, chemical and industrial cleaning compounds, in temperatures from -50° F to 275° F. Interlock edge ensures cushion remains in place
- Clamp available in steel with the GoldGalv® hardware finish
- Attached with two standard fasteners to any flat surface, this clamp eliminates the use of special channels, providing a savings in both space requirements and cost
- Cushioned clamps reduce vibration, shock and noise in fluid systems and eliminate electrolysis



| O.D. TUBING SIZES |                 | STANDARD PIPE SIZES |                         | STD. CTN. |
|-------------------|-----------------|---------------------|-------------------------|-----------|
| ASSEMBLY CAT. NO. | TUBE O.D. (IN.) | ASSEMBLY CAT. NO.   | NOMINAL PIPE SIZE (IN.) |           |
| A-716-1/4         | 1/4             | P-716-1/4           | 1/4                     | 25        |
| A-716-3/8         | 3/8             | P-716-3/8           | 3/8                     | 25        |
| A-716-1/2         | 1/2             | P-716-1/2           | 1/2                     | 25        |
| A-716-5/8         | 5/8             | P-716-3/4           | 3/4                     | 25        |
| A-716-3/4         | 3/4             | P-716-1             | 1                       | 25        |
| A-716-7/8         | 7/8             | P-716-1-1/4         | 1 1/4                   | 25        |
| A-716-1           | 1               | P-716-1-1/2         | 1 1/2                   | 10        |
| A-716-1-1/8       | 1 1/8           | P-716-2             | 2                       | 10        |
| A-716-1-1/4       | 1 1/4           | P-716-2-1/2         | 2 1/2                   | 10        |
| A-716-1-3/8       | 1 3/8           | P-716-3             | 3                       | 10        |
| A-716-1-1/2       | 1 1/2           | P-716-3-1/2         | 3 1/2                   | 10        |
| A-716-1-5/8       | 1 5/8           | P-716-4             | 4                       | 10        |
| A-716-1-3/4       | 1 3/4           | —                   | —                       | 10        |
| A-716-1-7/8       | 1 7/8           | —                   | —                       | 10        |
| A-716-2           | 2               | —                   | —                       | 10        |
| A-716-2-1/8       | 2 1/8           | —                   | —                       | 10        |
| A-716-2-3/8       | 2 3/8           | —                   | —                       | 10        |
| A-716-2-5/8       | 2 5/8           | —                   | —                       | 10        |
| A-716-3-1/8       | 3 1/8           | —                   | —                       | 10        |
| A-716-4-1/8       | 4 1/8           | —                   | —                       | 10        |

Standard Finishes — GoldGalv® brand. Available in Stainless Steel — use SS suffix. (i.e) A-716-1SS, Electro-Galvanized (Silver) — use EG suffix. (i.e) A-716-1EG

| ASSEMBLY CAT. NO. | COPPER AND STEEL TUBING O.D. (IN.) | COPPER WATER PIPE (NOM.) (IN.) | NOMINAL PIPE SIZE (IN.) | STD. CTN. |
|-------------------|------------------------------------|--------------------------------|-------------------------|-----------|
| U716 1/4          | 1/4                                | —                              | —                       | 25        |
| U-716-3/8         | 3/8                                | 1/4                            | —                       | 25        |
| U-716-1/2         | 1/2                                | 3/8                            | 1/4                     | 25        |
| U-716-5/8         | 5/8                                | 1/2                            | 3/8                     | 25        |
| U-716-3/4         | 3/4                                | 5/8                            | —                       | 25        |
| U-716-7/8         | 7/8                                | 3/4                            | 1/2                     | 25        |
| U-716-1           | 1                                  | —                              | —                       | 25        |
| U-716-1-1/8       | 1 1/8                              | 1                              | —                       | 25        |
| U-716-1-1/4       | 1 1/4                              | —                              | —                       | 10        |
| U-716-1-3/8       | 1 3/8                              | 1 1/4                          | —                       | 10        |
| U-716-1-1/2       | 1 1/2                              | —                              | —                       | 10        |
| U-716-1-5/8       | 1 5/8                              | 1 1/2                          | —                       | 10        |
| U-716-1-3/4       | 1 3/4                              | —                              | —                       | 10        |
| U-716-1-7/8       | 1 7/8                              | —                              | 1 1/2                   | 10        |
| U-716-2           | 2                                  | —                              | —                       | 10        |
| U-716-2-1/8       | 2 1/8                              | —                              | —                       | 10        |
| U-716-2-3/8       | 2 3/8                              | —                              | —                       | 10        |
| U-717-3/4         | —                                  | —                              | 3/4                     | 25        |
| U-717-1           | —                                  | —                              | 1                       | 10        |
| U-717-1-1/4       | —                                  | —                              | 1 1/4                   | 10        |

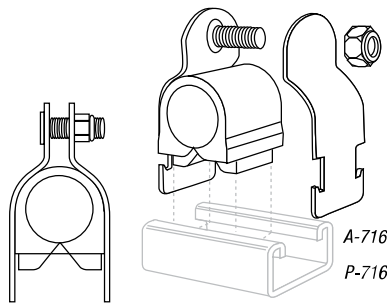
Standard Finish — GoldGalv®

## Pipe Straps, Conduit Clamps and Hangers

### A-716 — Snap•Guard® Cushioned Clamp Tube Series

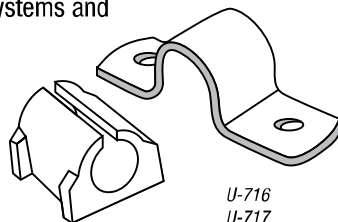
#### P-716 — Pipe Series

- Assembly consisting of GoldGalv® finish steel clamp with bolt/locknut and cushion
- Secure pipes, tubes and hoses for fluid conductors
- Installation is easy and requires no more time than a simple pipe clamp installation
- Cushion absorbs the shocks and associated vibrations from fluid surges in tubes, pipes and hoses
- Can handle temperatures from -40° F to 300° F
- Cushioned Clamp assemblies are available individually bagged



### U-716, U-717 — Two-Hole Cushioned Clamp

- Guides, protects and uniformly spaces line runs. Low-cost, time-saving method of attaching tubing and hose to equipment
- Cushion is built to withstand the effects of most oils, chemical and industrial cleaning compounds, in temperatures from -50° F to 275° F. Interlock edge ensures cushion remains in place
- Clamp available in steel with the GoldGalv® hardware finish
- Attached with two standard fasteners to any flat surface, this clamp eliminates the use of special channels, providing a savings in both space requirements and cost
- Cushioned clamps reduce vibration, shock and noise in fluid systems and eliminate electrolysis



| O.D. TUBING SIZES |                 | STANDARD PIPE SIZES |                         | STD. CTN. |
|-------------------|-----------------|---------------------|-------------------------|-----------|
| ASSEMBLY CAT. NO. | TUBE O.D. (IN.) | ASSEMBLY CAT. NO.   | NOMINAL PIPE SIZE (IN.) |           |
| A-716-1/4         | 1/4             | P-716-1/4           | 1/4                     | 25        |
| A-716-3/8         | 3/8             | P-716-3/8           | 3/8                     | 25        |
| A-716-1/2         | 1/2             | P-716-1/2           | 1/2                     | 25        |
| A-716-5/8         | 5/8             | P-716-3/4           | 3/4                     | 25        |
| A-716-3/4         | 3/4             | P-716-1             | 1                       | 25        |
| A-716-7/8         | 7/8             | P-716-1-1/4         | 1 1/4                   | 25        |
| A-716-1           | 1               | P-716-1-1/2         | 1 1/2                   | 10        |
| A-716-1-1/8       | 1 1/8           | P-716-2             | 2                       | 10        |
| A-716-1-1/4       | 1 1/4           | P-716-2-1/2         | 2 1/2                   | 10        |
| A-716-1-3/8       | 1 3/8           | P-716-3             | 3                       | 10        |
| A-716-1-1/2       | 1 1/2           | P-716-3-1/2         | 3 1/2                   | 10        |
| A-716-1-5/8       | 1 5/8           | P-716-4             | 4                       | 10        |
| A-716-1-3/4       | 1 3/4           | —                   | —                       | 10        |
| A-716-1-7/8       | 1 7/8           | —                   | —                       | 10        |
| A-716-2           | 2               | —                   | —                       | 10        |
| A-716-2-1/8       | 2 1/8           | —                   | —                       | 10        |
| A-716-2-3/8       | 2 3/8           | —                   | —                       | 10        |
| A-716-2-5/8       | 2 5/8           | —                   | —                       | 10        |
| A-716-3-1/8       | 3 1/8           | —                   | —                       | 10        |
| A-716-4-1/8       | 4 1/8           | —                   | —                       | 10        |

Standard Finishes — GoldGalv® brand. Available in Stainless Steel — use SS suffix. (i.e) A-716-1SS, Electro-Galvanized (Silver) — use EG suffix. (i.e) A-716-1EG

| ASSEMBLY CAT. NO. | COPPER AND STEEL TUBING O.D. (IN.) | COPPER WATER PIPE (NOM.) (IN.) | NOMINAL PIPE SIZE (IN.) | STD. CTN. |
|-------------------|------------------------------------|--------------------------------|-------------------------|-----------|
| U716 1/4          | 1/4                                | —                              | —                       | 25        |
| U-716-3/8         | 3/8                                | 1/4                            | —                       | 25        |
| U-716-1/2         | 1/2                                | 3/8                            | 1/4                     | 25        |
| U-716-5/8         | 5/8                                | 1/2                            | 3/8                     | 25        |
| U-716-3/4         | 3/4                                | 5/8                            | —                       | 25        |
| U-716-7/8         | 7/8                                | 3/4                            | 1/2                     | 25        |
| U-716-1           | 1                                  | —                              | —                       | 25        |
| U-716-1-1/8       | 1 1/8                              | 1                              | —                       | 25        |
| U-716-1-1/4       | 1 1/4                              | —                              | —                       | 10        |
| U-716-1-3/8       | 1 3/8                              | 1 1/4                          | —                       | 10        |
| U-716-1-1/2       | 1 1/2                              | —                              | —                       | 10        |
| U-716-1-5/8       | 1 5/8                              | 1 1/2                          | —                       | 10        |
| U-716-1-3/4       | 1 3/4                              | —                              | —                       | 10        |
| U-716-1-7/8       | 1 7/8                              | —                              | 1 1/2                   | 10        |
| U-716-2           | 2                                  | —                              | —                       | 10        |
| U-716-2-1/8       | 2 1/8                              | —                              | —                       | 10        |
| U-716-2-3/8       | 2 3/8                              | —                              | —                       | 10        |
| U-717-3/4         | —                                  | —                              | 3/4                     | 25        |
| U-717-1           | —                                  | —                              | 1                       | 10        |
| U-717-1-1/4       | —                                  | —                              | 1 1/4                   | 10        |

Standard Finish — GoldGalv®