

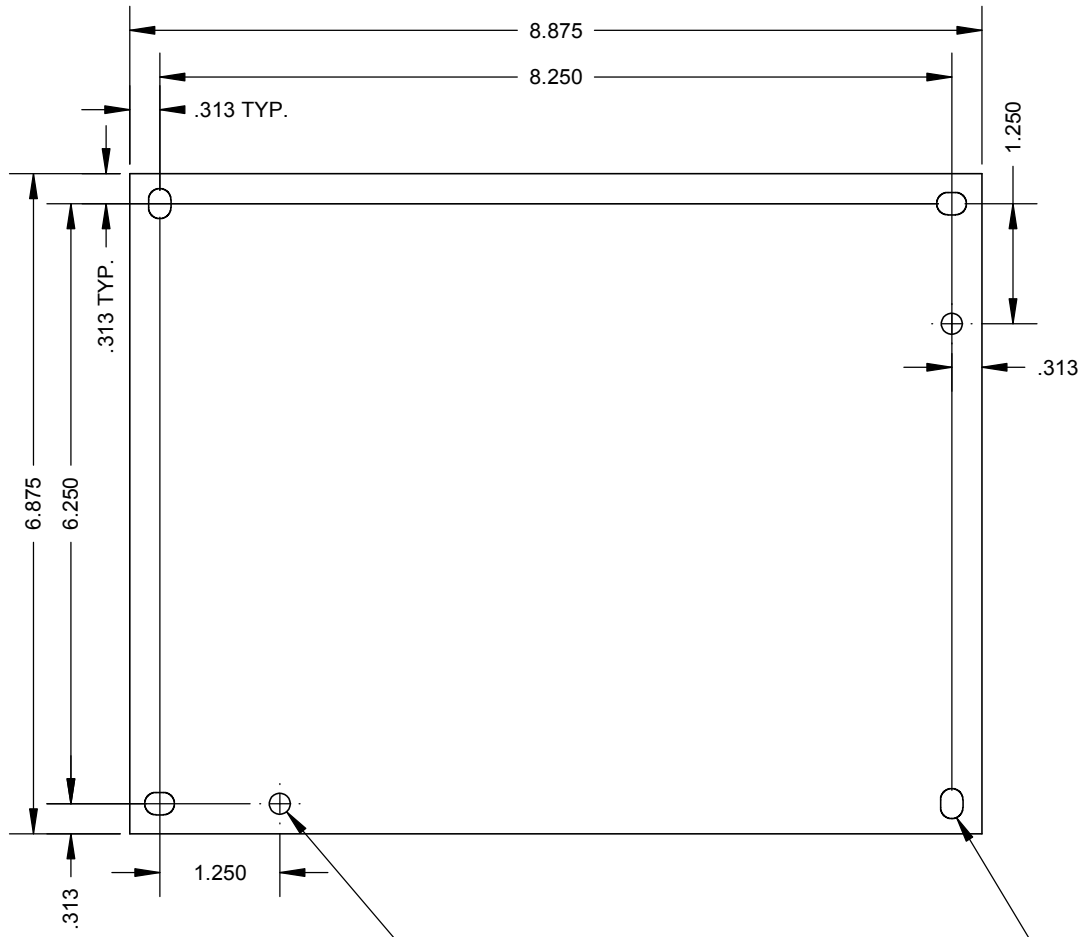


Catalog Number: A-108SBP
Item Description: STEEL PANELS
UPC Code: 784572172234

Brand Name: Milbank
Type: Panel for Mounting Electronic Controls
Application: Enclosure Accessory
Material: Steel
Shape: Rectangle
Color: White
Mounting: Stud Mount

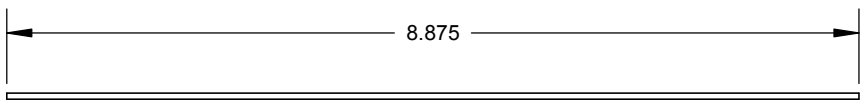
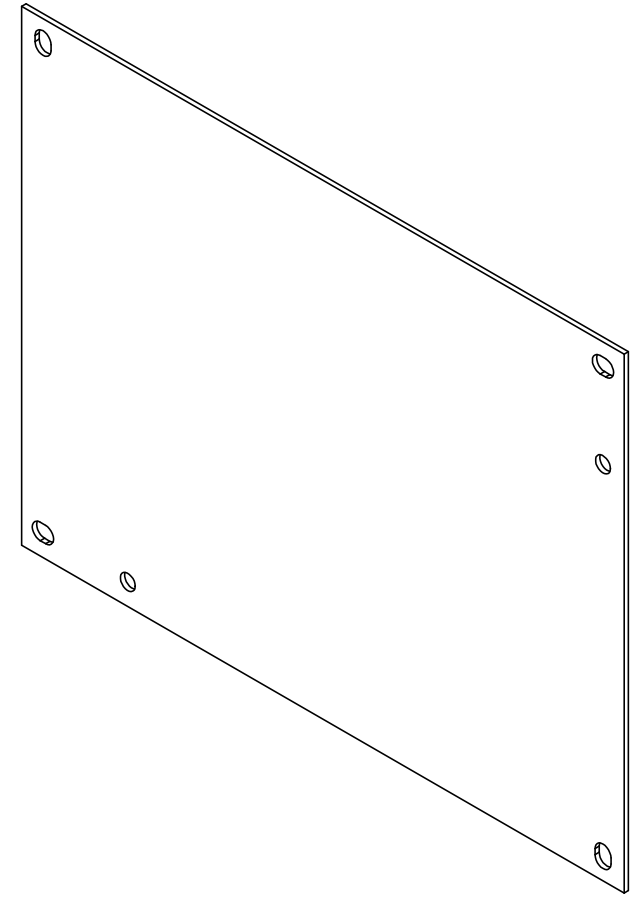



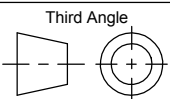
Utility requirements may vary. Always consult the serving utility for their requirements prior to ordering or installing this equipment. This product must always be installed by a licensed electrician. Installation of this equipment may require local electrical inspector approval.



Ø.219 GROUND HOLE
2 PLACES

.235 X .313 MOUNTING HOLE
4 PLACES



| | | | | |
|--|-----------------------|---|-------------------------------------|-----------------------------------|
| Material: | 16 GA. GALV. STEEL |  MILBANK <small>ENERGY AT WORK</small> | General Offices: Kansas City, MO | |
| Finish: | PAINTED WHITE | | Title: | ENCLOSURE BACK PANEL 10 x 8 |
| Tolerances: Unless Specified Otherwise X.X ±.1 X.XX ±.03 X.XXX ±.015 X° ±2° | | Catalog No.: | A-108SBP | |
| Third Angle  Projection | | Ref: | | |
| Scale: | NTS | Checked By: | Drawing No.: | 1012340 |
| Drawn By: | AJS | Approved By: | Date: | 6/20/14 Sheet 1 of 1 |

| | | | | | | |
|----|---------|---------------|-----|--|--|--|
| ** | 6/20/14 | FIRST RELEASE | AJS | | | |
|----|---------|---------------|-----|--|--|--|

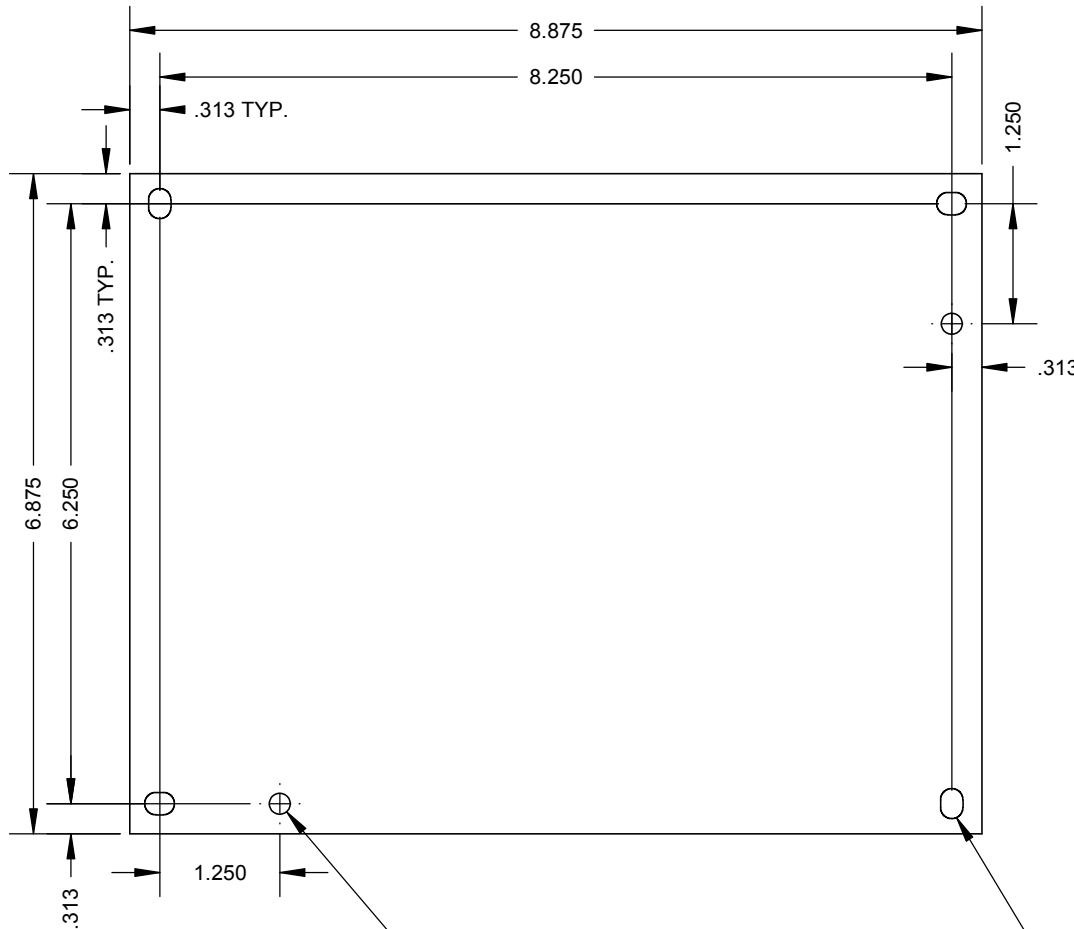


Catalog Number: A-108SBP
Item Description: STEEL PANELS
UPC Code: 784572172234

Brand Name: Milbank
Type: Panel for Mounting Electronic Controls
Application: Enclosure Accessory
Material: Steel
Shape: Rectangle
Color: White
Mounting: Stud Mount

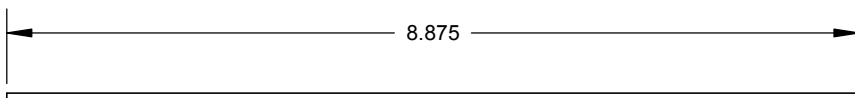
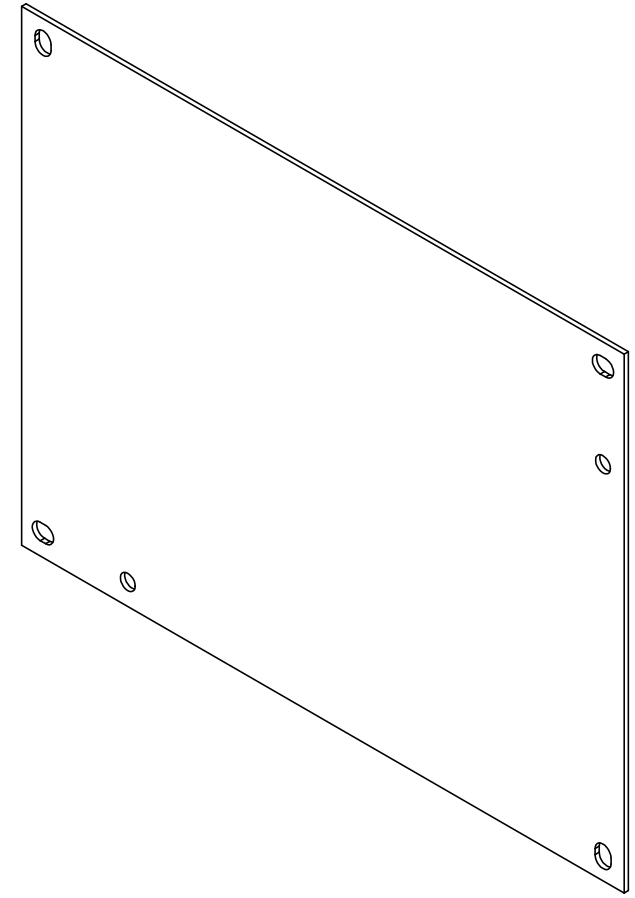



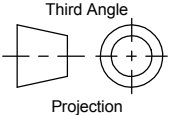
Utility requirements may vary. Always consult the serving utility for their requirements prior to ordering or installing this equipment. This product must always be installed by a licensed electrician. Installation of this equipment may require local electrical inspector approval.



Ø.219 GROUND HOLE
2 PLACES

.235 X .313 MOUNTING HOLE
4 PLACES



| | | | | |
|---|-----------------------|---|-------------------------------------|-----------------------------------|
| Material: | 16 GA. GALV. STEEL |  MILBANK <small>ENERGY AT WORK</small> | General Offices: Kansas City, MO | |
| Finish: | PAINTED WHITE | | Title: | ENCLOSURE BACK PANEL 10 x 8 |
| Tolerances: Unless Specified Otherwise X.X ±.1 X.XX ±.03 X.XXX ±.015 X° ±2° | | Catalog No.: | A-108SBP | |
|  Third Angle Projection | | Ref: | | |
| Scale: | NTS | Checked By: | Drawing No.: | 1012340 |
| Drawn By: | AJS | Approved By: | Date: | 6/20/14 Sheet 1 of 1 |

| | | | | | | |
|----|---------|---------------|-----|--|--|--|
| ** | 6/20/14 | FIRST RELEASE | AJS | | | |
|----|---------|---------------|-----|--|--|--|