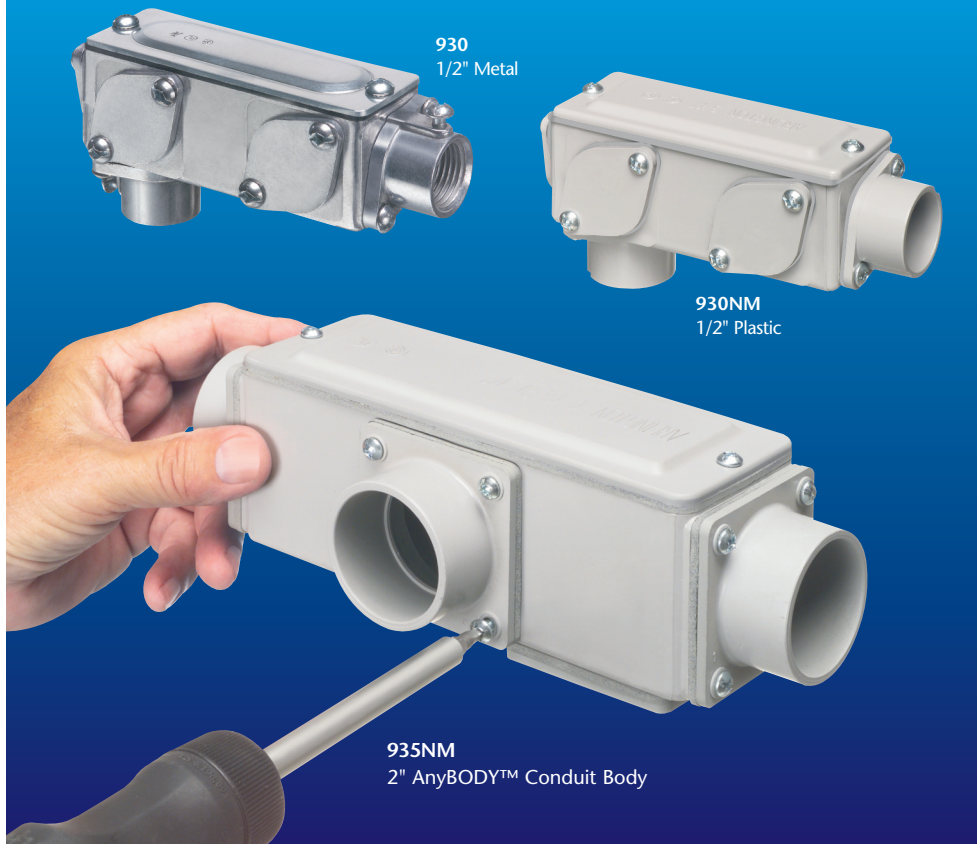


AnyBODY™ Conduit Bodies

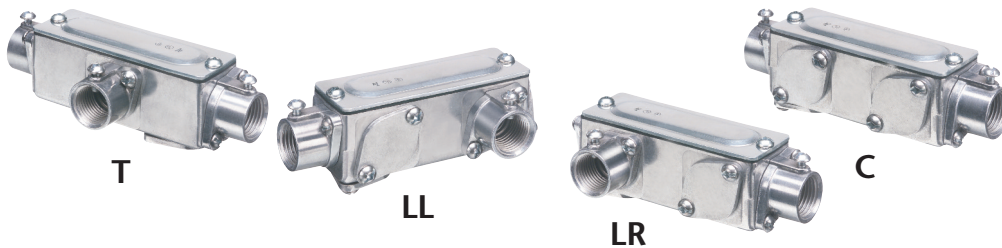
MORE
on
reverse

Aluminum & Plastic • Weather-tight Seal for Exterior Use

AnyBODY ships as an LB...



But converts to a T, LL, LR or C **FAST!**



*Five conduit bodies in one...
all anybody needs to save time & money!*

Meets NEC 2011 314.16 (c) (2) for Conduit Bodies with Splices, Taps or Devices.

Arlington's aluminum or plastic AnyBODY™ ships as an LB, but converts to a T, LL, LR or C by switching the blank plates and threaded flanges to create the style you need.

It's easy – and convenient.

Plus, it saves you the hassle, space, and cost of stocking five different conduit bodies.

They're competitively priced with LBs with NO EXTRA COST for the normally more expensive T .

Plastic

- Sizes 1/2" to 4"
- Includes three non-metallic hubs with glue-in conduit joint

Aluminum

- Sizes 1/2" to 4"
- Includes threaded flanges for three openings
- 1/2" to 2" are combination EMT/rigid – they're threaded for rigid, but also have a set-screw for use with EMT
- Seated O-rings maintain weather-tight seal.
- UL/CSA Listed



View Video



Arlington

1 Stauffer Industrial Park
Scranton, PA 18517

800/233.4717

Fax 570/562.0646

www.aifittings.com

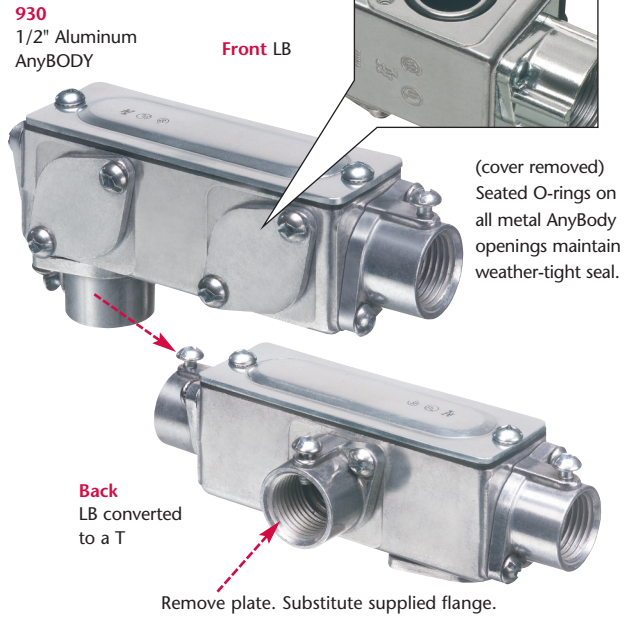
Patent pending

AnyBODY™ Conduit Bodies

Aluminum & Plastic • Weather-tight Seal for Exterior Use



Convert AnyBODY from an LB to a T, C, LR, or LL the EASY WAY!



Meets NEC 2011 314.16 (c) (2) for Conduit Bodies with Splices, Taps or Devices.

"Only those conduit bodies that are durably and legibly marked by the manufacturer with their volume shall be permitted to contain splices, taps or devices. The maximum number of conductors shall be calculated in accordance with 314.16 (B). Conduit bodies shall be supported in a rigid and secure manner."

| Catalog Number | UPC/DEI/NAED Mfg. #018997 | Description Aluminum or Plastic Body | Size | Unit Pkg | Std Pkg |
|----------------|---------------------------|---|--------|----------|---------|
| 930 | 17900 | Aluminum with combination set-screw/threaded flanges for EMT, rigid and IMC | 1/2" | 10 | 10 |
| 931 | 17901 | | 3/4" | 10 | 10 |
| 932 | 17902 | | 1" | 5 | 5 |
| 933 | 17903 | | 1-1/4" | 2 | 10 |
| 934 | 17904 | | 1-1/2" | 2 | 10 |
| 935 | 17905 | 2" | 1 | 5 | |
| 936 | 17906 | Aluminum with threaded flanges for rigid only | 2-1/2" | 1 | 1 |
| 937 | 17907 | | 3" | 1 | 1 |
| 938 | 17908 | | 3-1/2" | 1 | 1 |
| 939 | 17909 | | 4" | 1 | 1 |
| 930NM | 12500 | Plastic includes Three Flanges with Glue-in Conduit Joints | 1/2" | 10 | 10 |
| 931NM | 12501 | | 3/4" | 10 | 10 |
| 932NM | 12502 | | 1" | 5 | 5 |
| 933NM | 12503 | | 1-1/4" | 2 | 10 |
| 934NM | 12504 | | 1-1/2" | 2 | 10 |
| 935NM | 12505 | | 2" | 1 | 5 |
| 936NM | 12506 | | 2-1/2" | 1 | 1 |
| 937NM | 12507 | | 3" | 1 | 1 |
| 938NM | 12508 | | 3-1/2" | 1 | 1 |
| 939NM | 12509 | 4" | 1 | 1 | |



Arlington
1 Stauffer Industrial Park
Scranton, PA 18517
800/233.4717
Fax 570/562.0646
www.aifittings.com



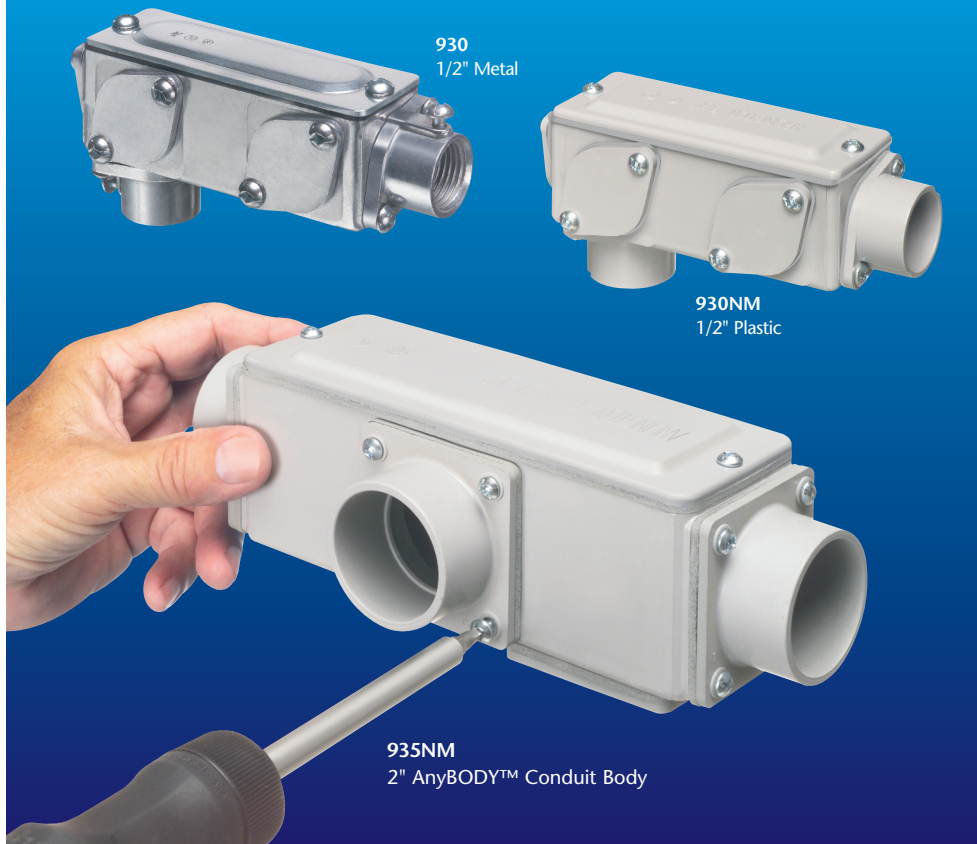
Distributed by

AnyBODY™ Conduit Bodies

MORE
on
reverse

Aluminum & Plastic • Weather-tight Seal for Exterior Use

AnyBODY ships as an LB...

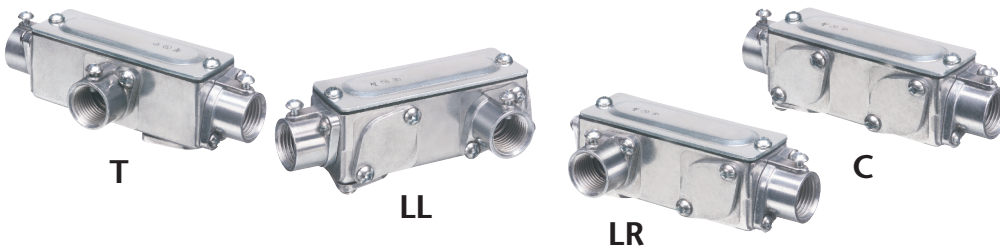


930
1/2" Metal

930NM
1/2" Plastic

935NM
2" AnyBODY™ Conduit Body

But converts to a T, LL, LR or C **FAST!**



T

LL

LR

C

**Five conduit bodies in one...
all anybody needs to save time & money!**

Meets NEC 2011 314.16 (c) (2) for Conduit Bodies with Splices, Taps or Devices.

Arlington's aluminum or plastic AnyBODY™ ships as an LB, but converts to a T, LL, LR or C by switching the blank plates and threaded flanges to create the style you need.

It's easy – and convenient.

Plus, it saves you the hassle, space, and cost of stocking five different conduit bodies.

They're competitively priced with LBs with NO EXTRA COST for the normally more expensive T .

Plastic

- Sizes 1/2" to 4"
- Includes three non-metallic hubs with glue-in conduit joint

Aluminum

- Sizes 1/2" to 4"
- Includes threaded flanges for three openings
- 1/2" to 2" are combination EMT/rigid – they're threaded for rigid, but also have a set-screw for use with EMT
- Seated O-rings maintain weather-tight seal.
- UL/CSA Listed



View Video



Arlington

1 Stauffer Industrial Park
Scranton, PA 18517

800/233.4717

Fax 570/562.0646

www.aifittings.com

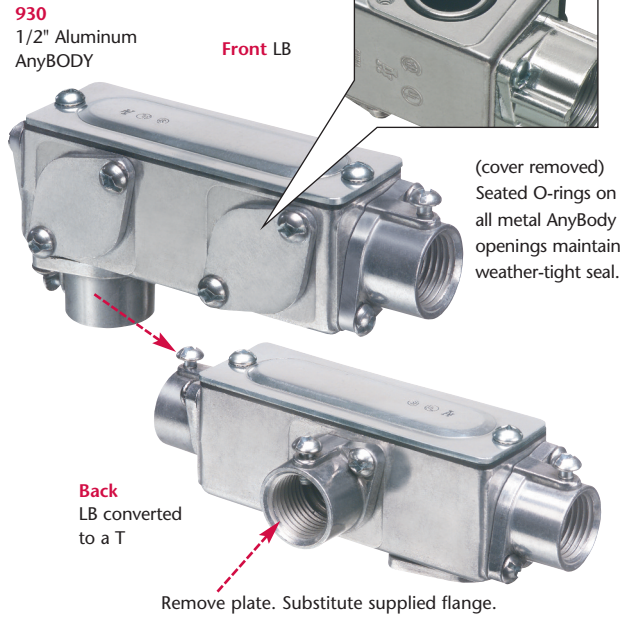
Patent pending

AnyBODY™ Conduit Bodies

Aluminum & Plastic • Weather-tight Seal for Exterior Use



Convert AnyBODY from an LB to a T, C, LR, or LL the EASY WAY!



Meets NEC 2011 314.16 (c) (2) for Conduit Bodies with Splices, Taps or Devices.

"Only those conduit bodies that are durably and legibly marked by the manufacturer with their volume shall be permitted to contain splices, taps or devices. The maximum number of conductors shall be calculated in accordance with 314.16 (B). Conduit bodies shall be supported in a rigid and secure manner."

| Catalog Number | UPC/DEI/NAED Mfg. #018997 | Description Aluminum or Plastic Body | Size | Unit Pkg | Std Pkg |
|----------------|---------------------------|---|--------|----------|---------|
| 930 | 17900 | Aluminum with combination set-screw/threaded flanges for EMT, rigid and IMC | 1/2" | 10 | 10 |
| 931 | 17901 | | 3/4" | 10 | 10 |
| 932 | 17902 | | 1" | 5 | 5 |
| 933 | 17903 | | 1-1/4" | 2 | 10 |
| 934 | 17904 | | 1-1/2" | 2 | 10 |
| 935 | 17905 | 2" | 1 | 5 | |
| 936 | 17906 | Aluminum with threaded flanges for rigid only | 2-1/2" | 1 | 1 |
| 937 | 17907 | | 3" | 1 | 1 |
| 938 | 17908 | | 3-1/2" | 1 | 1 |
| 939 | 17909 | | 4" | 1 | 1 |
| 930NM | 12500 | Plastic includes Three Flanges with Glue-in Conduit Joints | 1/2" | 10 | 10 |
| 931NM | 12501 | | 3/4" | 10 | 10 |
| 932NM | 12502 | | 1" | 5 | 5 |
| 933NM | 12503 | | 1-1/4" | 2 | 10 |
| 934NM | 12504 | | 1-1/2" | 2 | 10 |
| 935NM | 12505 | | 2" | 1 | 5 |
| 936NM | 12506 | | 2-1/2" | 1 | 1 |
| 937NM | 12507 | | 3" | 1 | 1 |
| 938NM | 12508 | | 3-1/2" | 1 | 1 |
| 939NM | 12509 | 4" | 1 | 1 | |



Arlington
1 Stauffer Industrial Park
Scranton, PA 18517
800/233.4717
Fax 570/562.0646
www.aifittings.com



Distributed by