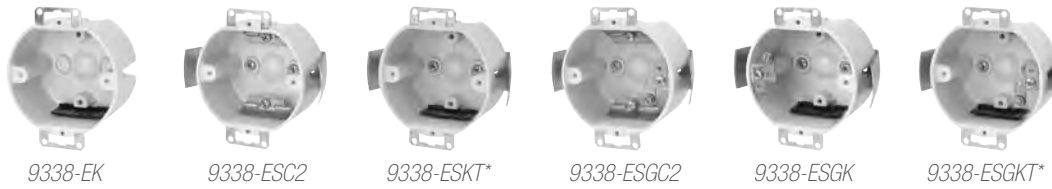


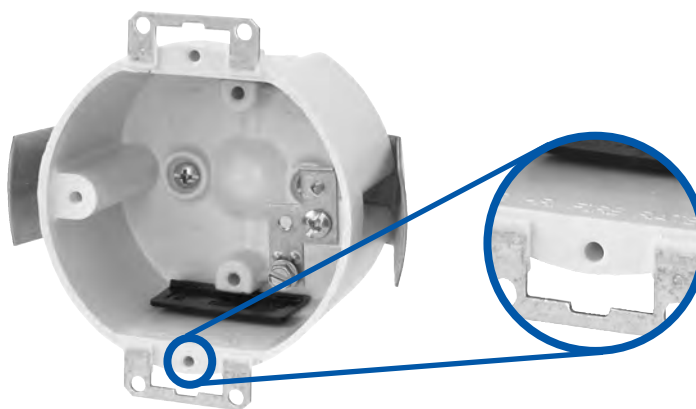
# fiberglass BOX™ 3-1/2" Dia. Round Outlet Wall Fixture Support Boxes



**NOTE:** All 3-1/2" round outlet boxes have a fixture mounting pattern (at a width of 2.75") with machine tapped holes to accept #8-32 mounting hardware.

|             | Cu. In. Volume | Catalog Number | Component Description                                        | Exterior Dimensions |       | Fixture Rating | UPC# 85339 | Std. Pkg. Qty. | Std. Wt. (lb.) |
|-------------|----------------|----------------|--------------------------------------------------------------|---------------------|-------|----------------|------------|----------------|----------------|
|             |                |                |                                                              | D                   | W     |                |            |                |                |
| <b>Ears</b> | 14.0           | 9338-E         | Ears, Speed Klamps™ - bulk packed                            | 2                   | 3-1/2 | 15 lb.         | 46000      | 50             | 14             |
|             | 14.0           | 9338-EK        | Ears, Speed Klamps™ - factory installed                      | 2                   | 3-1/2 | 15 lb.         | 46001      | 50             | 15             |
|             | 14.0           | 9338-EKT*      | Ears, Speed Klamps™ - factory installed, tapped device holes | 2                   | 3-1/2 | 15 lb.         | 46038      | 50             | 15             |

|                                 | Cu. In. Volume | Catalog Number | Component Description                                                                    | Exterior Dimensions |       | Fixture Rating | UPC# 85339 | Std. Pkg. Qty. | Std. Wt. (lb.) |
|---------------------------------|----------------|----------------|------------------------------------------------------------------------------------------|---------------------|-------|----------------|------------|----------------|----------------|
|                                 |                |                |                                                                                          | D                   | W     |                |            |                |                |
| <b>Ears &amp; Snap Brackets</b> | 14.0           | 9338-ES        | Ears, snap bracket, Speed Klamps™ - bulk packed                                          | 2                   | 3-1/2 | 15 lb.         | 46005      | 50             | 20             |
|                                 | 14.0           | 9338-ESC2      | Ears, snap bracket, 2 wire clamps - factory installed                                    | 2                   | 3-1/2 | 15 lb.         | 46015      | 50             | 22             |
|                                 | 14.0           | 9338-ESC2T*    | Ears, snap bracket, 2 wire clamps - factory installed, tapped device holes               | 2                   | 3-1/2 | 15 lb.         | 46041      | 50             | 22             |
|                                 | 14.0           | 9338-ESK       | Ears, snap bracket, Speed Klamps™ - factory installed                                    | 2                   | 3-1/2 | 15 lb.         | 46006      | 50             | 21             |
|                                 | 14.0           | 9338-ESKT*     | Ears, snap bracket, Speed Klamps™ - factory installed, tapped device holes               | 2                   | 3-1/2 | 15 lb.         | 46040      | 50             | 21             |
|                                 | 14.0           | 9338-EST*      | Ears, snap bracket, Speed Klamps™ - bulk packed, tapped device holes                     | 2                   | 3-1/2 | 15 lb.         | 46039      | 50             | 20             |
|                                 | 14.0           | 9338-ESG       | Ears, snap bracket, ground strap, Speed Klamps™ - bulk packed                            | 2                   | 3-1/2 | 15 lb.         | 46020      | 50             | 21             |
|                                 | 14.0           | 9338-ESGC2     | Ears, snap bracket, ground strap, 2 wire clamps - factory installed                      | 2                   | 3-1/2 | 15 lb.         | 46030      | 50             | 23             |
|                                 | 14.0           | 9338-ESGK      | Ears, snap bracket, ground strap, Speed Klamps™ - factory installed                      | 2                   | 3-1/2 | 15 lb.         | 46021      | 50             | 21             |
|                                 | 14.0           | 9338-ESGKT*    | Ears, snap bracket, ground strap, Speed Klamps™ - factory installed, tapped device holes | 2                   | 3-1/2 | 15 lb.         | 46043      | 50             | 21             |



\*Strip-resistant, tapered and machine tapped device holes allow device screw to be started by hand and speed installation time with adjustable torque screwdrivers.

All dimensions are in inches unless otherwise noted.  
See page 7 for Attachment Coding suffix descriptions.

Old Work/Manufactured Housing Boxes

Outlet Box  
UL File No. E30594

# Competitive Cross Reference

Fiberglass Outlet Boxes

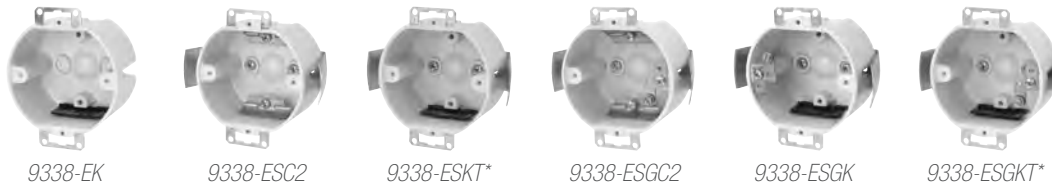


ALLIED  
MOULDED  
PRODUCTS, Inc.

## fiberglassBOX™: Premium Series “Hard Box” Fiberglass Boxes continued

| Allied Moulded | Carlton® PH<br>(Union Phenolic) | Carlton® PC Black<br>Polycarbonate | Carlton® PVC<br>(Zip Blue) | Carlton® PVC<br>(SuperBlue®) | Cantex®<br>(EZ BOX®) | Pass & Seymour<br>(Slater®) |
|----------------|---------------------------------|------------------------------------|----------------------------|------------------------------|----------------------|-----------------------------|
| 9312-E         | N/A                             | N/A                                | N/A                        | N/A                          | N/A                  | N/A                         |
| 9312-EK        | N/A                             | N/A                                | N/A                        | N/A                          | N/A                  | N/A                         |
| 9312-EW        | 6062-402                        | 4R-B                               | B225R                      | N/A                          | EZ25D0               | N/A                         |
| 9312-EWK       | 6062-402                        | 4R-B                               | B225R                      | N/A                          | EZ25D0               | N/A                         |
| 9313-EW        | 6063-402                        | N/A                                | B355R                      | N/A                          | N/A                  | S3-52-W                     |
| 9313-EWK       | 6063-402                        | N/A                                | B355R                      | N/A                          | N/A                  | S3-52-W                     |
| 9314-EWK       | N/A                             | N/A                                | B468R                      | N/A                          | N/A                  | N/A                         |
| 9315           | 4062/WHITE                      | 4R-B                               | E460R                      | N/A                          | EZYKL                | N/A                         |
| 9315-WH        | 4062/WHITE                      | 4R-B                               | E460R                      | N/A                          | EZYKL                | N/A                         |
| 9318           | N/A                             | N/A                                | B112HB                     | N/A                          | N/A                  | N/A                         |
| 9319           | N/A                             | N/A                                | HB15W                      | N/A                          | N/A                  | N/A                         |
| 9320           | N/A                             | N/A                                | HB1DP                      | N/A                          | N/A                  | N/A                         |
| 9322           | N/A                             | N/A                                | HB1BL                      | N/A                          | N/A                  | N/A                         |
| 9324-N         | 2070/N1614                      | N/A                                | N1614                      | N/A                          | N/A                  | N/A                         |
| 9327-N         | 6090/7010/E1614                 | N/A                                | N/A                        | N/A                          | N/A                  | N/A                         |
| 9329-EW        | 7010-8                          | 232-OW                             | B225R                      | BH234R                       | N/A                  | S2-32-W                     |
| 9329-EWK       | 7010-8                          | 232-OW                             | B225R                      | BH234R                       | N/A                  | S2-32-W                     |
| 9331-E         | 6090/7010                       | N/A                                | E1614                      | N/A                          | N/A                  | N/A                         |
| 9331-EK        | 6090/7010                       | N/A                                | E1614                      | N/A                          | N/A                  | N/A                         |
| 9331-ES        | 7010-8                          | N/A                                | N/A                        | N/A                          | N/A                  | N/A                         |
| 9331-ESK       | 7010-8                          | N/A                                | N/A                        | N/A                          | N/A                  | N/A                         |
| 9331-EW        | 6090-402                        | 114-OW                             | B114R                      | N/A                          | EZ14S0               | N/A                         |
| 9331-EWK       | 6090-402                        | 114-OW                             | B114R                      | N/A                          | EZ14S0               | N/A                         |
| 9335-16/16K    | 3190-C-94                       | N-321-C-94                         | N/A                        | N/A                          | N/A                  | N/A                         |
| 9335-16G/16GK  | N/A                             | N-321-GC-94                        | N/A                        | N/A                          | N/A                  | N/A                         |
| 9335-BH/BHK    | 3190-C-94                       | N-321-C-95                         | N/A                        | N/A                          | N/A                  | S118HAC                     |
| 9335-BHG/BHGK  | N/A                             | N-321-GC-95                        | N/A                        | N/A                          | N/A                  | S118HGAC                    |
| 9335-HNGK      | N/A                             | N/A                                | N/A                        | N/A                          | N/A                  | N/A                         |
| 9335-HNK       | N/A                             | N/A                                | N/A                        | N/A                          | N/A                  | N/A                         |
| 9335-N         | 3190/3190C                      | N/A                                | B518A/N-321-C              | N/A                          | EZ18CN               | C118RAC                     |
| 9335-NG        | 3190-40-PC                      | N/A                                | B518P                      | N/A                          | EZ18CNG              | C118RGAC                    |
| 9335-NGK       | 3190-40-PC                      | N/A                                | B518P                      | N/A                          | EZ18CNG              | C118RGAC                    |
| 9335-NK        | 3190/3190C                      | N/A                                | B518A/N-321-C              | N/A                          | EZ18CN               | C118RAC                     |
| 9335-NKRED     | N/A                             | 3R-16-N-RED                        | N/A                        | N/A                          | EZ18CNAR             | N/A                         |
| 9336-16/16K    | 3090-94/3090-94-SQ              | N/A                                | N/A                        | N/A                          | N/A                  | N/A                         |
| 9336-16G/16GK  | 3090-94-40                      | N/A                                | N/A                        | N/A                          | N/A                  | N/A                         |
| 9336-BH/BHK    | 3090-95/3090-95-SQ              | 3R-16-BH                           | N/A                        | N/A                          | N/A                  | N/A                         |
| 9336-BHG/BHGK  | 3090-95-40                      | 3R-16-BHGP                         | N/A                        | N/A                          | N/A                  | N/A                         |
| 9336-HNGK      | 3090-N-40                       | N/A                                | N/A                        | N/A                          | N/A                  | N/A                         |
| 9336-HNK       | 3090-N                          | N/A                                | N/A                        | N/A                          | N/A                  | N/A                         |
| 9336-N         | 3190                            | 3R16N                              | N/A                        | N/A                          | N/A                  | N/A                         |
| 9336-NG        | 3190-PC                         | 3R16NGP                            | N/A                        | N/A                          | N/A                  | N/A                         |
| 9336-NGK       | 3190-PC                         | 3R16NGP                            | N/A                        | N/A                          | N/A                  | N/A                         |
| 9336-NK        | 3190                            | 3R16N                              | N/A                        | N/A                          | N/A                  | N/A                         |
| 9338-E         | 3080                            | N/A                                | N/A                        | N/A                          | N/A                  | N/A                         |
| 9338-EK        | 3080                            | N/A                                | N/A                        | N/A                          | N/A                  | N/A                         |
| 9338-EKT       | 3080                            | N/A                                | N/A                        | N/A                          | N/A                  | N/A                         |
| 9338-ES        | 3080-9/3080-9-PC                | 3R160W                             | N/A                        | BH614R                       | N/A                  | N/A                         |
| 9338-ESG       | 3080-9-40                       | 3R160WGP                           | B432A                      | BH614RP                      | N/A                  | N/A                         |
| 9338-ESGK      | 3080-9-40                       | 3R160WGP                           | B432A                      | BH614RP                      | N/A                  | C118WGAC                    |

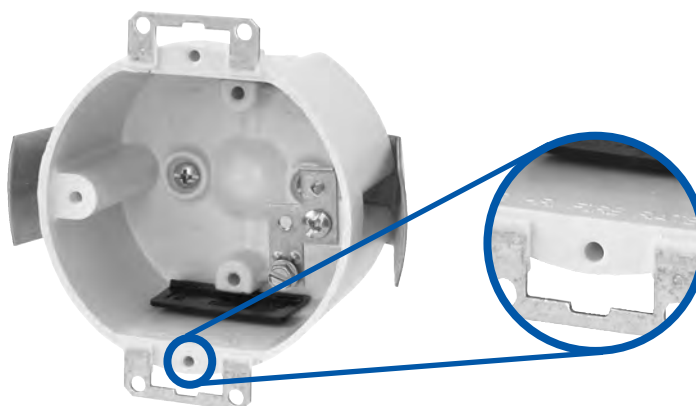
# fiberglass BOX™ 3-1/2" Dia. Round Outlet Wall Fixture Support Boxes



**NOTE:** All 3-1/2" round outlet boxes have a fixture mounting pattern (at a width of 2.75") with machine tapped holes to accept #8-32 mounting hardware.

| Ears | Cu. In. Volume | Catalog Number | Component Description                                        | Exterior Dimensions |       | Fixture Rating | UPC# 85339 | Std. Pkg. Qty. | Std. Wt. (lb.) |
|------|----------------|----------------|--------------------------------------------------------------|---------------------|-------|----------------|------------|----------------|----------------|
|      |                |                |                                                              | D                   | W     |                |            |                |                |
|      | 14.0           | 9338-E         | Ears, Speed Klamps™ - bulk packed                            | 2                   | 3-1/2 | 15 lb.         | 46000      | 50             | 14             |
|      | 14.0           | 9338-EK        | Ears, Speed Klamps™ - factory installed                      | 2                   | 3-1/2 | 15 lb.         | 46001      | 50             | 15             |
|      | 14.0           | 9338-EKT*      | Ears, Speed Klamps™ - factory installed, tapped device holes | 2                   | 3-1/2 | 15 lb.         | 46038      | 50             | 15             |

| Ears & Snap Brackets | Cu. In. Volume | Catalog Number | Component Description                                                                    | Exterior Dimensions |       | Fixture Rating | UPC# 85339 | Std. Pkg. Qty. | Std. Wt. (lb.) |
|----------------------|----------------|----------------|------------------------------------------------------------------------------------------|---------------------|-------|----------------|------------|----------------|----------------|
|                      |                |                |                                                                                          | D                   | W     |                |            |                |                |
|                      | 14.0           | 9338-ES        | Ears, snap bracket, Speed Klamps™ - bulk packed                                          | 2                   | 3-1/2 | 15 lb.         | 46005      | 50             | 20             |
|                      | 14.0           | 9338-ESC2      | Ears, snap bracket, 2 wire clamps - factory installed                                    | 2                   | 3-1/2 | 15 lb.         | 46015      | 50             | 22             |
|                      | 14.0           | 9338-ESC2T*    | Ears, snap bracket, 2 wire clamps - factory installed, tapped device holes               | 2                   | 3-1/2 | 15 lb.         | 46041      | 50             | 22             |
|                      | 14.0           | 9338-ESK       | Ears, snap bracket, Speed Klamps™ - factory installed                                    | 2                   | 3-1/2 | 15 lb.         | 46006      | 50             | 21             |
|                      | 14.0           | 9338-ESKT*     | Ears, snap bracket, Speed Klamps™ - factory installed, tapped device holes               | 2                   | 3-1/2 | 15 lb.         | 46040      | 50             | 21             |
|                      | 14.0           | 9338-EST*      | Ears, snap bracket, Speed Klamps™ - bulk packed, tapped device holes                     | 2                   | 3-1/2 | 15 lb.         | 46039      | 50             | 20             |
|                      | 14.0           | 9338-ESG       | Ears, snap bracket, ground strap, Speed Klamps™ - bulk packed                            | 2                   | 3-1/2 | 15 lb.         | 46020      | 50             | 21             |
|                      | 14.0           | 9338-ESGC2     | Ears, snap bracket, ground strap, 2 wire clamps - factory installed                      | 2                   | 3-1/2 | 15 lb.         | 46030      | 50             | 23             |
|                      | 14.0           | 9338-ESGK      | Ears, snap bracket, ground strap, Speed Klamps™ - factory installed                      | 2                   | 3-1/2 | 15 lb.         | 46021      | 50             | 21             |
|                      | 14.0           | 9338-ESGKT*    | Ears, snap bracket, ground strap, Speed Klamps™ - factory installed, tapped device holes | 2                   | 3-1/2 | 15 lb.         | 46043      | 50             | 21             |



\*Strip-resistant, tapered and machine tapped device holes allow device screw to be started by hand and speed installation time with adjustable torque screwdrivers.

All dimensions are in inches unless otherwise noted.  
See page 7 for Attachment Coding suffix descriptions.

Old Work/Manufactured Housing Boxes

Outlet Box  
UL File No. E30594

# Competitive Cross Reference

Fiberglass Outlet Boxes



ALLIED  
MOULDED  
PRODUCTS, Inc.

## fiberglassBOX™: Premium Series “Hard Box” Fiberglass Boxes continued

| Allied Moulded | Carlton® PH<br>(Union Phenolic) | Carlton® PC Black<br>Polycarbonate | Carlton® PVC<br>(Zip Blue) | Carlton® PVC<br>(SuperBlue®) | Cantex®<br>(EZ BOX®) | Pass & Seymour<br>(Slater®) |
|----------------|---------------------------------|------------------------------------|----------------------------|------------------------------|----------------------|-----------------------------|
| 9312-E         | N/A                             | N/A                                | N/A                        | N/A                          | N/A                  | N/A                         |
| 9312-EK        | N/A                             | N/A                                | N/A                        | N/A                          | N/A                  | N/A                         |
| 9312-EW        | 6062-402                        | 4R-B                               | B225R                      | N/A                          | EZ25D0               | N/A                         |
| 9312-EWK       | 6062-402                        | 4R-B                               | B225R                      | N/A                          | EZ25D0               | N/A                         |
| 9313-EW        | 6063-402                        | N/A                                | B355R                      | N/A                          | N/A                  | S3-52-W                     |
| 9313-EWK       | 6063-402                        | N/A                                | B355R                      | N/A                          | N/A                  | S3-52-W                     |
| 9314-EWK       | N/A                             | N/A                                | B468R                      | N/A                          | N/A                  | N/A                         |
| 9315           | 4062/WHITE                      | 4R-B                               | E460R                      | N/A                          | EZYKL                | N/A                         |
| 9315-WH        | 4062/WHITE                      | 4R-B                               | E460R                      | N/A                          | EZYKL                | N/A                         |
| 9318           | N/A                             | N/A                                | B112HB                     | N/A                          | N/A                  | N/A                         |
| 9319           | N/A                             | N/A                                | HB15W                      | N/A                          | N/A                  | N/A                         |
| 9320           | N/A                             | N/A                                | HB1DP                      | N/A                          | N/A                  | N/A                         |
| 9322           | N/A                             | N/A                                | HB1BL                      | N/A                          | N/A                  | N/A                         |
| 9324-N         | 2070/N1614                      | N/A                                | N1614                      | N/A                          | N/A                  | N/A                         |
| 9327-N         | 6090/7010/E1614                 | N/A                                | N/A                        | N/A                          | N/A                  | N/A                         |
| 9329-EW        | 7010-8                          | 232-OW                             | B225R                      | BH234R                       | N/A                  | S2-32-W                     |
| 9329-EWK       | 7010-8                          | 232-OW                             | B225R                      | BH234R                       | N/A                  | S2-32-W                     |
| 9331-E         | 6090/7010                       | N/A                                | E1614                      | N/A                          | N/A                  | N/A                         |
| 9331-EK        | 6090/7010                       | N/A                                | E1614                      | N/A                          | N/A                  | N/A                         |
| 9331-ES        | 7010-8                          | N/A                                | N/A                        | N/A                          | N/A                  | N/A                         |
| 9331-ESK       | 7010-8                          | N/A                                | N/A                        | N/A                          | N/A                  | N/A                         |
| 9331-EW        | 6090-402                        | 114-OW                             | B114R                      | N/A                          | EZ14S0               | N/A                         |
| 9331-EWK       | 6090-402                        | 114-OW                             | B114R                      | N/A                          | EZ14S0               | N/A                         |
| 9335-16/16K    | 3190-C-94                       | N-321-C-94                         | N/A                        | N/A                          | N/A                  | N/A                         |
| 9335-16G/16GK  | N/A                             | N-321-GC-94                        | N/A                        | N/A                          | N/A                  | N/A                         |
| 9335-BH/BHK    | 3190-C-94                       | N-321-C-95                         | N/A                        | N/A                          | N/A                  | S118HAC                     |
| 9335-BHG/BHGK  | N/A                             | N-321-GC-95                        | N/A                        | N/A                          | N/A                  | S118HGAC                    |
| 9335-HNGK      | N/A                             | N/A                                | N/A                        | N/A                          | N/A                  | N/A                         |
| 9335-HNK       | N/A                             | N/A                                | N/A                        | N/A                          | N/A                  | N/A                         |
| 9335-N         | 3190/3190C                      | N/A                                | B518A/N-321-C              | N/A                          | EZ18CN               | C118RAC                     |
| 9335-NG        | 3190-40-PC                      | N/A                                | B518P                      | N/A                          | EZ18CNG              | C118RGAC                    |
| 9335-NGK       | 3190-40-PC                      | N/A                                | B518P                      | N/A                          | EZ18CNG              | C118RGAC                    |
| 9335-NK        | 3190/3190C                      | N/A                                | B518A/N-321-C              | N/A                          | EZ18CN               | C118RAC                     |
| 9335-NKRED     | N/A                             | 3R-16-N-RED                        | N/A                        | N/A                          | EZ18CNAR             | N/A                         |
| 9336-16/16K    | 3090-94/3090-94-SQ              | N/A                                | N/A                        | N/A                          | N/A                  | N/A                         |
| 9336-16G/16GK  | 3090-94-40                      | N/A                                | N/A                        | N/A                          | N/A                  | N/A                         |
| 9336-BH/BHK    | 3090-95/3090-95-SQ              | 3R-16-BH                           | N/A                        | N/A                          | N/A                  | N/A                         |
| 9336-BHG/BHGK  | 3090-95-40                      | 3R-16-BHGP                         | N/A                        | N/A                          | N/A                  | N/A                         |
| 9336-HNGK      | 3090-N-40                       | N/A                                | N/A                        | N/A                          | N/A                  | N/A                         |
| 9336-HNK       | 3090-N                          | N/A                                | N/A                        | N/A                          | N/A                  | N/A                         |
| 9336-N         | 3190                            | 3R16N                              | N/A                        | N/A                          | N/A                  | N/A                         |
| 9336-NG        | 3190-PC                         | 3R16NGP                            | N/A                        | N/A                          | N/A                  | N/A                         |
| 9336-NGK       | 3190-PC                         | 3R16NGP                            | N/A                        | N/A                          | N/A                  | N/A                         |
| 9336-NK        | 3190                            | 3R16N                              | N/A                        | N/A                          | N/A                  | N/A                         |
| 9338-E         | 3080                            | N/A                                | N/A                        | N/A                          | N/A                  | N/A                         |
| 9338-EK        | 3080                            | N/A                                | N/A                        | N/A                          | N/A                  | N/A                         |
| 9338-EKT       | 3080                            | N/A                                | N/A                        | N/A                          | N/A                  | N/A                         |
| 9338-ES        | 3080-9/3080-9-PC                | 3R160W                             | N/A                        | BH614R                       | N/A                  | N/A                         |
| 9338-ESG       | 3080-9-40                       | 3R160WGP                           | B432A                      | BH614RP                      | N/A                  | N/A                         |
| 9338-ESGK      | 3080-9-40                       | 3R160WGP                           | B432A                      | BH614RP                      | N/A                  | C118WGAC                    |