



Catalog Number: 8812-GHC1-NK
Item Description: N1 HINGE CVR GUTTER NK
UPC Code: 784572109155

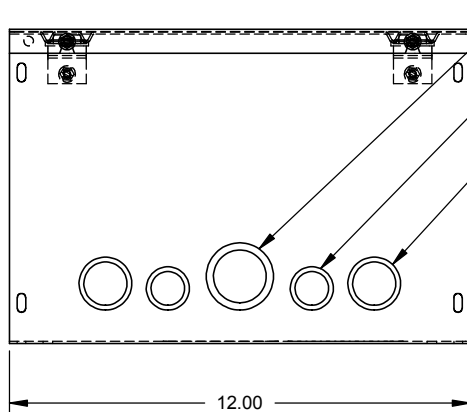
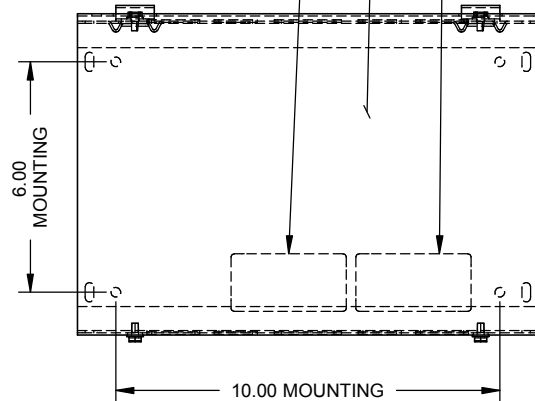
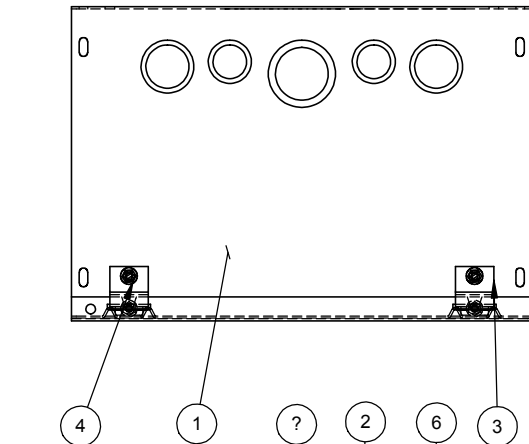
Brand Name: Milbank
Type: Lay In Wireway
Application: Wireway
Standard: UL Listed, Type 1
Cover Type: Hinge Cover
Enclosure: Indoor Enclosure
Nominal Cross Section: 8x8
Straight Section Length: 12
Material: Steel with Powder Coat Finish
Finish: ANSI 61 Gray
Knockouts: False



Utility requirements may vary. Always consult the serving utility for their requirements prior to ordering or installing this equipment. This product must always be installed by a licensed electrician. Installation of this equipment may require local electrical inspector approval.

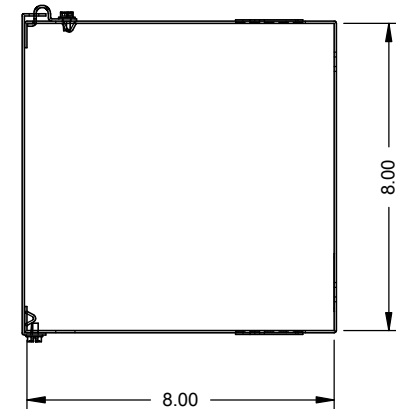
CATALOG#	LABEL#
8812-GHC1(-)	1002943
RC-8812-GHC1(-)	1125051
SPH-881(-)	1132575

P	QTY.	PART NO.	DESCRIPTION
1	1	(SEE CHART)	BACK
2	1	(SEE CHART)	TOP
3	2	1003198	HINGE
4	4	1001290	SCREW, 10-32 X 5/16
5	1	(SEE CHART)	UL LABEL, WIREWAY
6	1	1002913	LABEL, RATING
7	3	1002880	BAG ASSY (NOT SHOWN)



- 1, 1-1/4 CONC. K.O.
2 PL
- 1/2, 3/4 CONC. K.O.
4 PL
- 3/4, 1 CONC. K.O.
4 PL


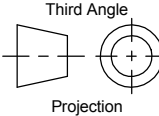
SUFFIX	MATERIAL	BACK #	COVER #
-SU	CRS	1129015	1128980
-SUC	CRS	1129016	1128981
-SO	GALV	1129017	1128982
-SUNK	CRS	1129018	1128980
-NK	GALV	1129019	1128982
-SUNKC	CRS	1129020	1128981



SUFFIX	FINISH
NONE	PAINTED
-NP	NOT PAINTED

NOTE:
1. PLACE BAG ASS'Y INSIDE ENCLOSURE. (NOT SHOWN)

NEMA DWG.: #361

Material:	16 GA. - SEE CHART	 General Offices: Kansas City, MO	
Finish:	SEE CHART		
Tolerances: Unless Specified Otherwise X.X ±.1 X.XX ±.03 X.XXX ±.015 X* ±2°		Title:	HINGE COVER WIREWAY 8 x 8 x 12, TYPE 1 NEMA ENCLOSURE
 Third Angle Projection		Catalog No.:	(SEE CHART)
Scale: NTS Drawn By: DY Checked By: Approved By:		Customer:	MILBANK STANDARD
		Drawing No.:	1006827
		Date:	05/29/02 Sheet 1 of 1

E	11/07/14	CHANGE MATERIAL (eECR0030014)	AJS	D1	4/14/08	ADDED LABEL CHART&REMOVED NOTE #2(ECO.17139)	JLT
D	8-29-07	ADDED BACK & COVER CHART ECO. 15946	DL	D2	11/2/11	DRAWING NAME WAS 361 (ECO #21532)	D.F.



Catalog Number: 8812-GHC1-NK
Item Description: N1 HINGE CVR GUTTER NK
UPC Code: 784572109155

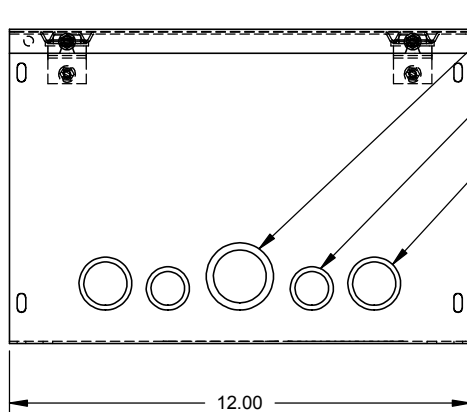
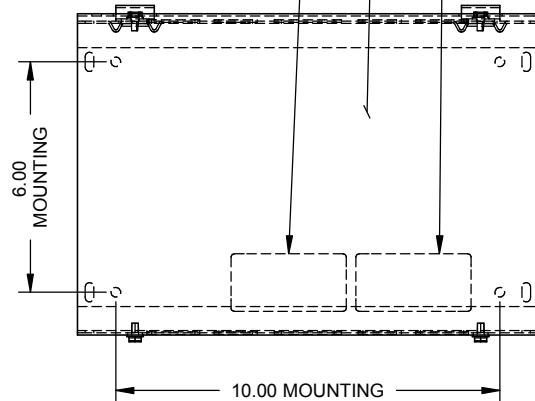
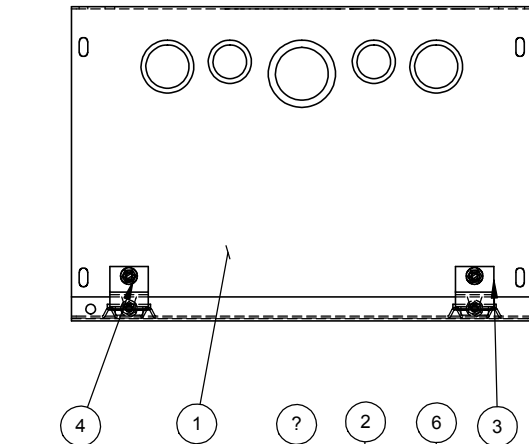
Brand Name: Milbank
Type: Lay In Wireway
Application: Wireway
Standard: UL Listed, Type 1
Cover Type: Hinge Cover
Enclosure: Indoor Enclosure
Nominal Cross Section: 8x8
Straight Section Length: 12
Material: Steel with Powder Coat Finish
Finish: ANSI 61 Gray
Knockouts: False



Utility requirements may vary. Always consult the serving utility for their requirements prior to ordering or installing this equipment. This product must always be installed by a licensed electrician. Installation of this equipment may require local electrical inspector approval.

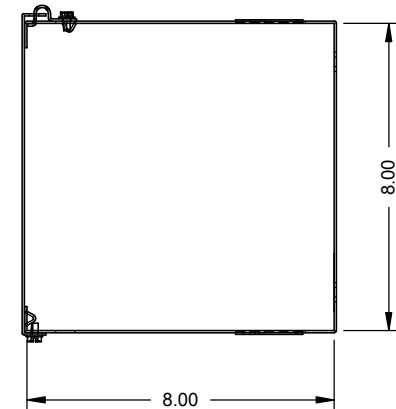
CATALOG#	LABEL#
8812-GHC1(-)	1002943
RC-8812-GHC1(-)	1125051
SPH-881(-)	1132575

P	QTY.	PART NO.	DESCRIPTION
1	1	(SEE CHART)	BACK
2	1	(SEE CHART)	TOP
3	2	1003198	HINGE
4	4	1001290	SCREW, 10-32 X 5/16
5	1	(SEE CHART)	UL LABEL, WIREWAY
6	1	1002913	LABEL, RATING
7	3	1002880	BAG ASSY (NOT SHOWN)



- 1, 1-1/4 CONC. K.O.
2 PL
- 1/2, 3/4 CONC. K.O.
4 PL
- 3/4, 1 CONC. K.O.
4 PL


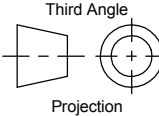
SUFFIX	MATERIAL	BACK #	COVER #
-SU	CRS	1129015	1128980
-SUC	CRS	1129016	1128981
-SO	GALV	1129017	1128982
-SUNK	CRS	1129018	1128980
-NK	GALV	1129019	1128982
-SUNKC	CRS	1129020	1128981



SUFFIX	FINISH
NONE	PAINTED
-NP	NOT PAINTED

NOTE:
1. PLACE BAG ASS'Y INSIDE ENCLOSURE. (NOT SHOWN)

NEMA DWG.: #361

Material:	16 GA. - SEE CHART	 MILBANK MANUFACTURING CO.	General Offices: Kansas City, MO		
Finish:	SEE CHART		Title:	HINGE COVER WIREWAY 8 x 8 x 12, TYPE 1 NEMA ENCLOSURE	
Tolerances: Unless Specified Otherwise X.X ±.1 X.XX ±.03 X.XXX ±.015 X* ±2*		 Third Angle Projection		Catalog No.:	(SEE CHART)
		Customer:	MILBANK STANDARD	Drawing No.:	1006827
Scale:	NTS	Checked By:		Date:	05/29/02
Drawn By:	DY	Approved By:		Sheet	1 of 1