



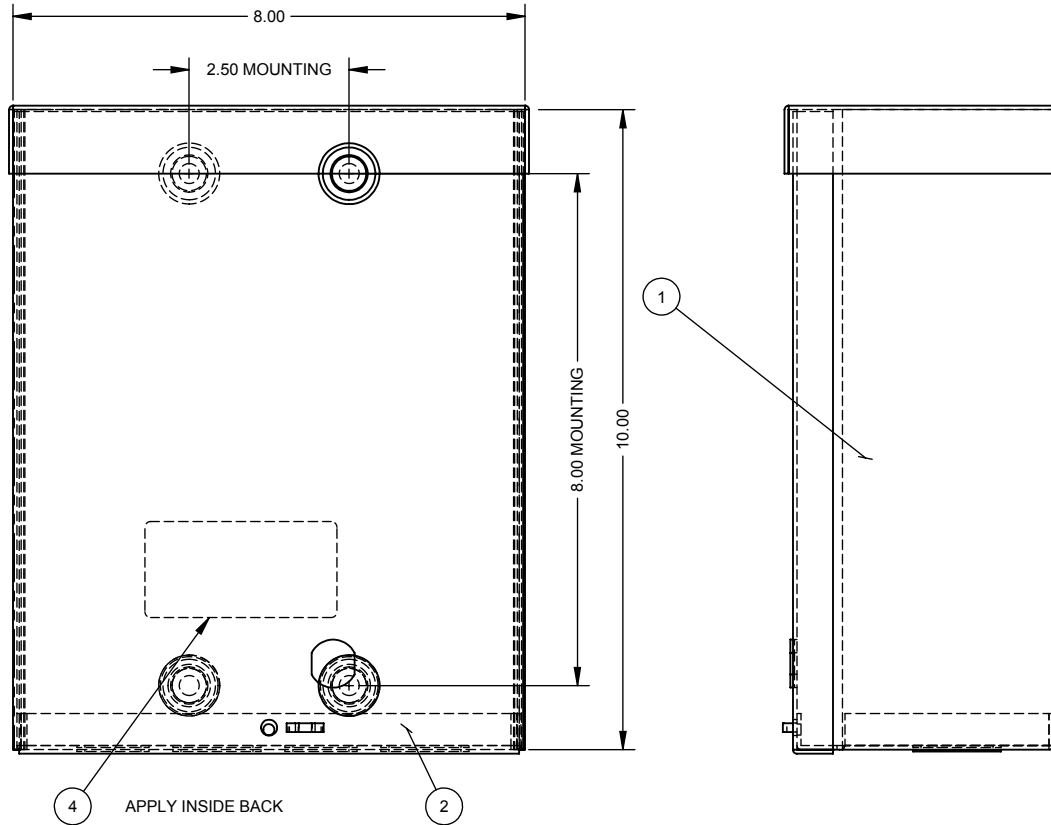
Catalog Number: 8104-SC3R-NK  
Item Description: N3R SCREW COVER ENCL NK  
UPC Code: 784572108837

**Brand Name:** Milbank  
**Type:** Screw Cover  
**Special Features:** Drip Shield Top, Cover Secured with Plated Screw, Mounting Embosses on Enclosure Back  
**Application:** Enclosure for Mounting Electrical Equipment  
**Standard:** UL Listed  
**Number Of Outlet:** 0  
**Material:** Steel with Powder Coat Finish  
**Color:** ANSI 61 Gray  
**Mounting:** Wall Mount  
**NEMA Rating:** Type 3R



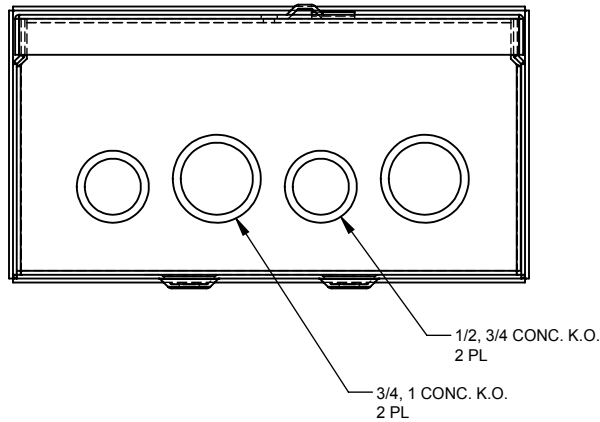
*Utility requirements may vary. Always consult the serving utility for their requirements prior to ordering or installing this equipment. This product must always be installed by a licensed electrician. Installation of this equipment may require local electrical inspector approval.*

CATALOG#	LABEL#
8104-SC3R	1002135
RC-8104-SC3R	1125021
SPRSC-1084	1132714



ITEM	QTY.	PART NUMBER	DESCRIPTION
1	1	(SEE CHART)	BACK WELDMENT
2	1	1011031	FRONT
3	1	1002170	BAG OF NEMA SCREWS
4	1	(SEE CHART)	LABEL (UL)
5	0.33	1002933	CARTON (NOT SHOWN)

SUFFIX	WELDMENT
NONE	1011203
-NK	1157117



NEMA DWG.: #177

Material:	16 GA. GALVANIZED		<p>General Offices: Kansas City, MO</p>
Shear/ Die#:			
Finish:	ANSI 61 GRAY		Title: 8 x 10 x 4 SCREW COVER TYPE 3R ENCLOSURE
Part Wt.:			Catalog No.:
Tolerances: Unless Specified Otherwise X.X ±.1 X.XX ±.03 X.XXX ±.015 X* ±2*		Third Angle 	Customer: MILBANK STANDARD
Scale:	NTS	Checked By:	Drawing No.: 1011772
Drawn By:	DC	Approved By:	Date: 03/12/03 Sheet 1 of 1

REV.	DATE	DESCRIPTION	BY
D	10/21/11	1002933 WAS 1011627 (ECO #21492)	D.F.
D1	1-6-12	CHARTED WELDMENT (ECO #21733)	DL
E	3/9/12	1002933 (.33) WAS (1) (ECO #22014)	D.F.



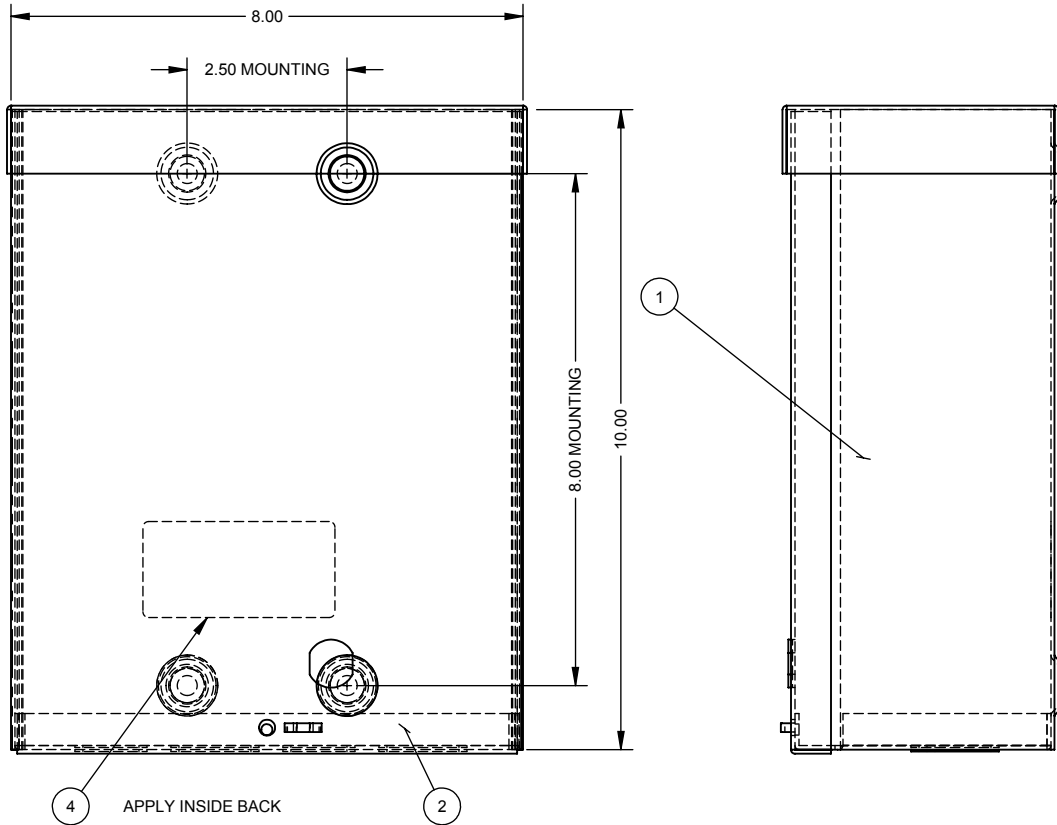
Catalog Number: 8104-SC3R-NK  
Item Description: N3R SCREW COVER ENCL NK  
UPC Code: 784572108837

**Brand Name:** Milbank  
**Type:** Screw Cover  
**Special Features:** Drip Shield Top, Cover Secured with Plated Screw, Mounting Embosses on Enclosure Back  
**Application:** Enclosure for Mounting Electrical Equipment  
**Standard:** UL Listed  
**Number Of Outlet:** 0  
**Material:** Steel with Powder Coat Finish  
**Color:** ANSI 61 Gray  
**Mounting:** Wall Mount  
**NEMA Rating:** Type 3R



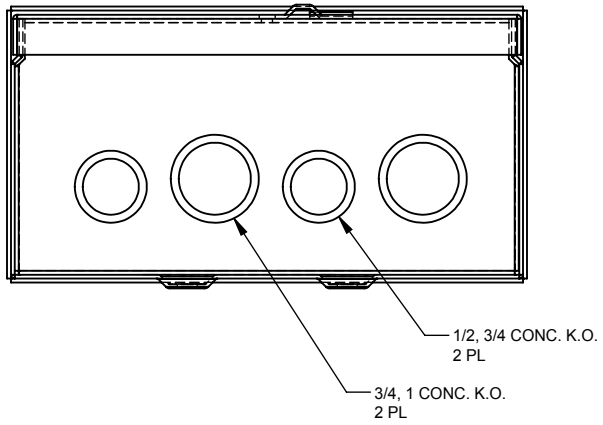
*Utility requirements may vary. Always consult the serving utility for their requirements prior to ordering or installing this equipment. This product must always be installed by a licensed electrician. Installation of this equipment may require local electrical inspector approval.*

CATALOG#	LABEL#
8104-SC3R	1002135
RC-8104-SC3R	1125021
SPRSC-1084	1132714



ITEM	QTY.	PART NUMBER	DESCRIPTION
1	1	(SEE CHART)	BACK WELDMENT
2	1	1011031	FRONT
3	1	1002170	BAG OF NEMA SCREWS
4	1	(SEE CHART)	LABEL (UL)
5	0.33	1002933	CARTON (NOT SHOWN)

SUFFIX	WELDMENT
NONE	1011203
-NK	1157117



NEMA DWG.: #177

Material:	16 GA. GALVANIZED		<p>General Offices: Kansas City, MO</p>	
Shear/ Die#:				
Finish:	ANSI 61 GRAY		Title:	8 x 10 x 4 SCREW COVER TYPE 3R ENCLOSURE
Part Wt.:			Catalog No.:	
Tolerances:			Customer:	MILBANK STANDARD
Unless Specified Otherwise X.X ±.1 X.XX ±.03 X.XXX ±.015 X* ±2*			Drawing No.:	1011772
Scale:	NTS	Checked By:	Date:	03/12/03
Drawn By:	DC	Approved By:	Sheet	1 of 1

REV.	DATE	DESCRIPTION	BY
D	10/21/11	1002933 WAS 1011627 (ECO #21492)	D.F.
D1	1-6-12	CHARTED WELDMENT (ECO #21733)	DL
E	3/9/12	1002933 (.33) WAS (1) (ECO #22014)	D.F.