

SPECIFICATION SHEET

701B 24 HOUR IN-WALL TIMER

APPLICATIONS

- Porch or patio lighting
- Interior lighting
- Pool
- Entryway

FEATURES

SCHEDULING:

Minimum ON setting is 30 minutes. Dial has 48 captive trippers.

FLEXIBLE:

Removable dial allows installation in multi-gang boxes with decorator style wall plates.

BYPASS SWITCH:

Slide switch for ON, OFF, or TIMER (automatic) operation.

VACATION MODE:

Set timer OFF with no change of tripper settings.

WIRING:

Requires a neutral.

CLOCK FORMAT:

AM/PM marked on dial.

WALL PLATE:

Supplied with single gang decorator wall plate.

SPECIFICATIONS

INPUT VOLTAGE:

120VAC, 60 Hz.

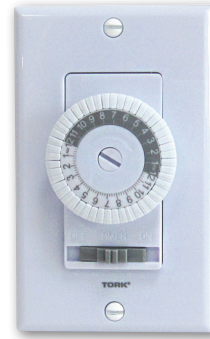
WIRE SIZE:

#14AWG.

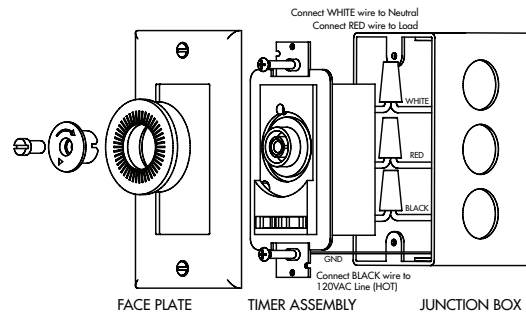
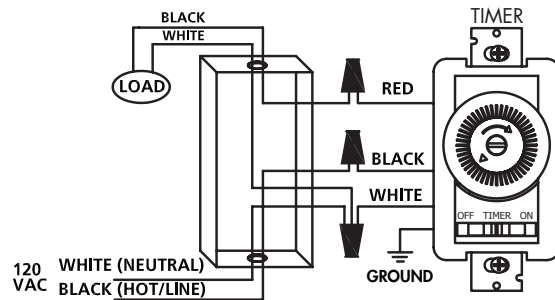
OPERATING TEMPERATURE:

+32° F to +104° F (0° C to +40° C).

Project Info:	Type:
Job Ref:	Catalog Number:
Approvals:	Date:



WIRING DIAGRAM



ORDERING INFO

CAT. NO.	UPC CODE	INPUT SUPPLY (VAC) 60Hz	COLOR
701B	10121	125	White

CONTACT RATINGS

TYPE	VOLTAGE (VAC)	RATING
General Purpose	125	20A
Resistive	125	20A
Tungsten	125	1500W
Electronic Ballast	125	500VA
Motor	125	1HP

SPECIFICATION SHEET

701B 24 HOUR IN-WALL TIMER

APPLICATIONS

- Porch or patio lighting
- Interior lighting
- Pool
- Entryway

FEATURES

SCHEDULING:

Minimum ON setting is 30 minutes. Dial has 48 captive trippers.

FLEXIBLE:

Removable dial allows installation in multi-gang boxes with decorator style wall plates.

BYPASS SWITCH:

Slide switch for ON, OFF, or TIMER (automatic) operation.

VACATION MODE:

Set timer OFF with no change of tripper settings.

WIRING:

Requires a neutral.

CLOCK FORMAT:

AM/PM marked on dial.

WALL PLATE:

Supplied with single gang decorator wall plate.

SPECIFICATIONS

INPUT VOLTAGE:

120VAC, 60 Hz.

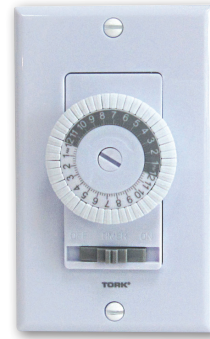
WIRE SIZE:

#14AWG.

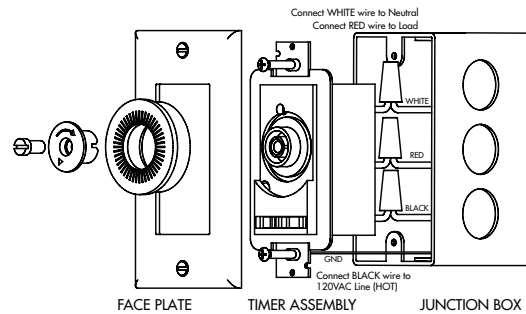
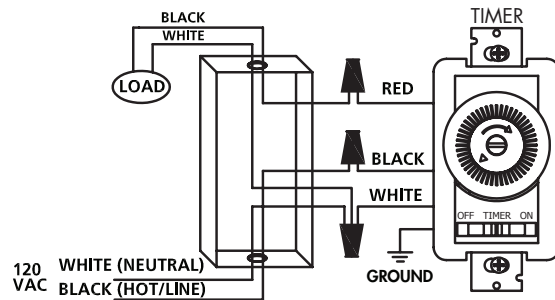
OPERATING TEMPERATURE:

+32° F to +104° F (0° C to +40° C).

Project Info:	Type:
Job Ref:	Catalog Number:
Approvals:	Date:



WIRING DIAGRAM



ORDERING INFO

CAT. NO.	UPC CODE	INPUT SUPPLY (VAC) 60Hz	COLOR
701B	10121	125	White

CONTACT RATINGS

TYPE	VOLTAGE (VAC)	RATING
General Purpose	125	20A
Resistive	125	20A
Tungsten	125	1500W
Electronic Ballast	125	500VA
Motor	125	1HP