

# Hotel Room Annunciator CFA Series

The Edwards 7005-G5 24 volt Hotel Room Annunciator is for use in hotel rooms and other areas designed to assist those with audible, visual, or physical impairments. The kit consists of a 6536-G5 horn/strobe for audible and visual signaling, a 620 push button, a 147-10 mounting plate, and a 592 transformer. Each component may also be ordered individually.

## 6536-G5 Horn/Strobe

The 6536-G5 Horn/Strobe is designed for use in a single gang 2" (51mm) x 4" (102mm) box located over the door. Each unit contains an audible horn signal which generates an 82 dBA sound pressure level at 10 ft. and a 50 cd strobe.

## 592 Transformer

The Edwards 592 transformer is used to power the horn/strobe. It is equipped with a grounding wire and is suitable for installation in both plastic and metal boxes.

## 620 Push Button

The 620 push button station provides call activation when installed in the 147-10 mounting plate (page 6-10). The plate has a stainless steel face. The switch is momentary.

## Features and Specifications

- Kit includes 6536-G5 Horn/Strobe, 592 Transformer and 620 Push Button
- Neutral white color
- Fits single gang box
- 92dB buzzer at 1 meter/82dB at 10ft.
- UL 1638 listed - Horn/Strobe



Ordering Information		Transformer		Horn/Strobe	Lens Color	dBA at 1m/10ft.	Strobe Candela
Description	Cat. No.	Primary	Secondary	Current			
Call for Assistance Kit	<b>7005-G5</b>	120V AC	24V AC	0.175 A @ 24V AC <sup>1</sup> 0.125 A @ 24V DC	Clear	92/82	50
	<b>7005A-G5</b>	120V AC	24V AC	0.175 A @ 24V AC <sup>1</sup> 0.125 A @ 24V DC	Amber	92/82	40
	<b>7005B-G5</b>	120V AC	24V AC	0.175 A @ 24V AC <sup>1</sup> 0.125 A @ 24V DC	Blue	92/82	17
	<b>7005G-G5</b>	120V AC	24V AC	0.175 A @ 24V AC <sup>1</sup> 0.125 A @ 24V DC	Green	92/82	29
	<b>7005R-G5</b>	120V AC	24V AC	0.175 A @ 24V AC <sup>1</sup> 0.125 A @ 24V DC	Red	92/82	25

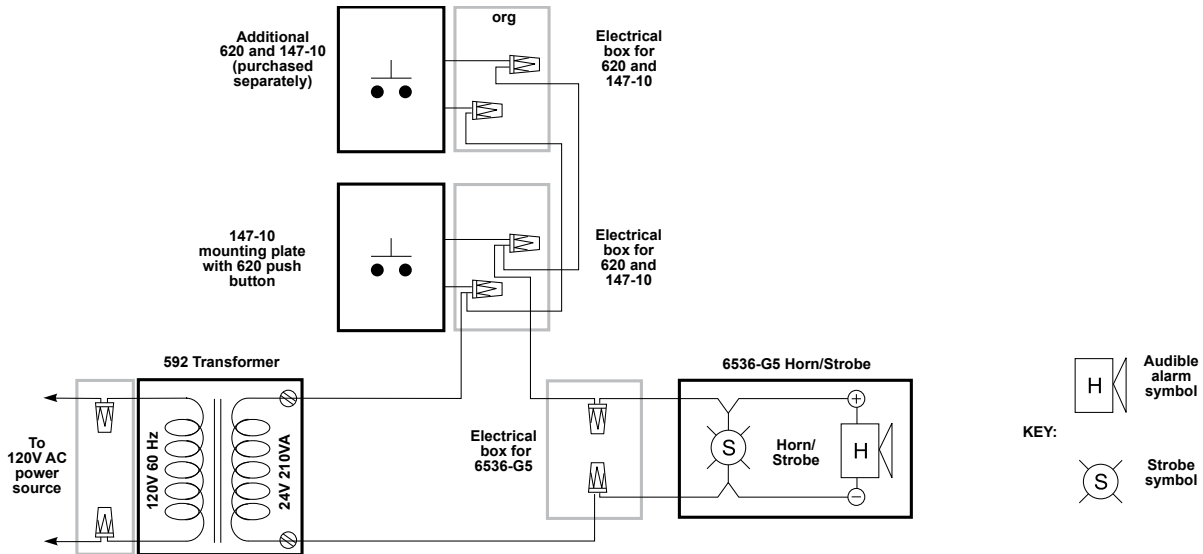
<sup>1</sup>AC voltage frequency is 50/60 Hz



# Hotel Room Annunciator CFA Series

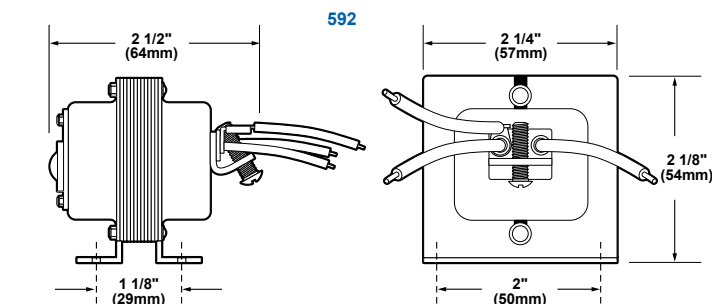
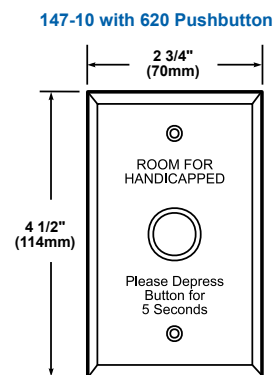
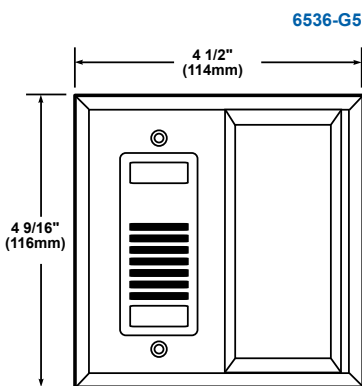
## Technical Information

Connecting 7005-G5 Hotel Room Annunciator



## Weights and Dimensions

Cat. No.	Approx. Net Weight (lb.)	Approx. Shipping Weight (lb.)
7005-G5	1.46	1.66
7005A-G5	1.46	1.66
7005B-G5	1.46	1.66
7005G-G5	1.46	1.66
7005R-G5	1.46	1.66



# Hotel Room Annunciator CFA Series

The Edwards 7005-G5 24 volt Hotel Room Annunciator is for use in hotel rooms and other areas designed to assist those with audible, visual, or physical impairments. The kit consists of a 6536-G5 horn/strobe for audible and visual signaling, a 620 push button, a 147-10 mounting plate, and a 592 transformer. Each component may also be ordered individually.

## 6536-G5 Horn/Strobe

The 6536-G5 Horn/Strobe is designed for use in a single gang 2" (51mm) x 4" (102mm) box located over the door. Each unit contains an audible horn signal which generates an 82 dBA sound pressure level at 10 ft. and a 50 cd strobe.

## 592 Transformer

The Edwards 592 transformer is used to power the horn/strobe. It is equipped with a grounding wire and is suitable for installation in both plastic and metal boxes.

## 620 Push Button

The 620 push button station provides call activation when installed in the 147-10 mounting plate (page 6-10). The plate has a stainless steel face. The switch is momentary.

## Features and Specifications

- Kit includes 6536-G5 Horn/Strobe, 592 Transformer and 620 Push Button
- Neutral white color
- Fits single gang box
- 92dB buzzer at 1 meter/82dB at 10ft.
- UL 1638 listed - Horn/Strobe



## Ordering Information

Description	Cat. No.	Transformer		Horn/Strobe Current	Lens Color	dBA at 1m/10ft.	Strobe Candela
		Primary	Secondary				
Call for Assistance Kit	<b>7005-G5</b>	120V AC	24V AC	0.175 A @ 24V AC <sup>1</sup> 0.125 A @ 24V DC	Clear	92/82	50
	<b>7005A-G5</b>	120V AC	24V AC	0.175 A @ 24V AC <sup>1</sup> 0.125 A @ 24V DC	Amber	92/82	40
	<b>7005B-G5</b>	120V AC	24V AC	0.175 A @ 24V AC <sup>1</sup> 0.125 A @ 24V DC	Blue	92/82	17
	<b>7005G-G5</b>	120V AC	24V AC	0.175 A @ 24V AC <sup>1</sup> 0.125 A @ 24V DC	Green	92/82	29
	<b>7005R-G5</b>	120V AC	24V AC	0.175 A @ 24V AC <sup>1</sup> 0.125 A @ 24V DC	Red	92/82	25

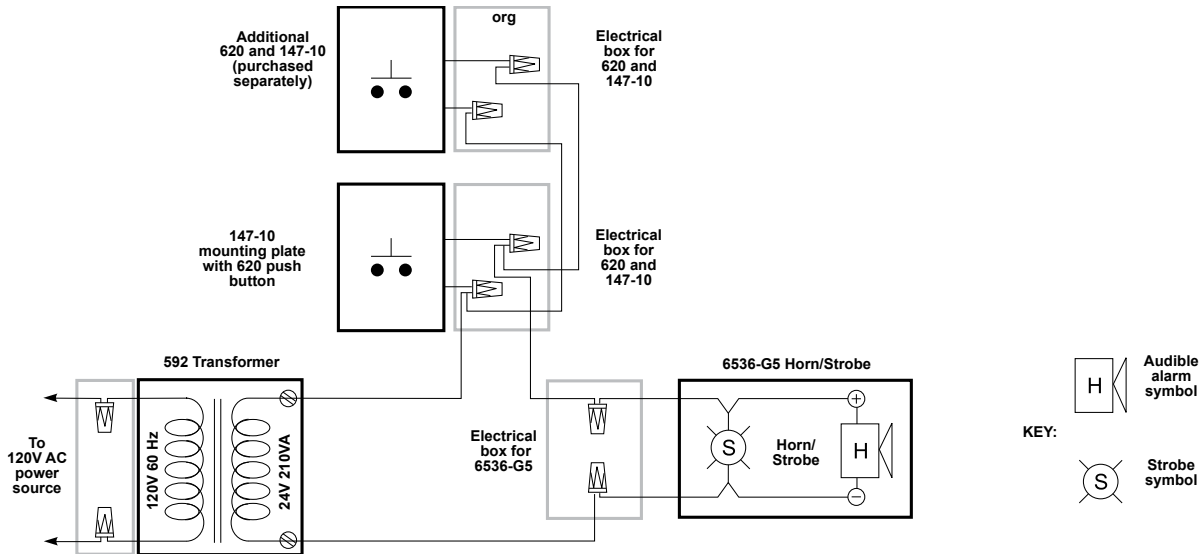
<sup>1</sup>AC voltage frequency is 50/60 Hz



# Hotel Room Annunciator CFA Series

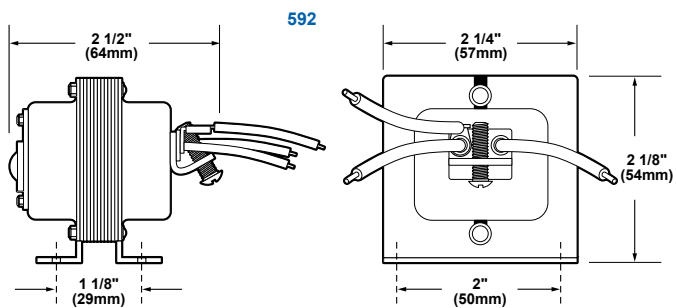
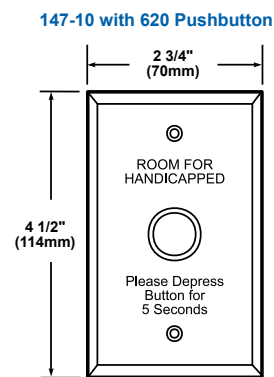
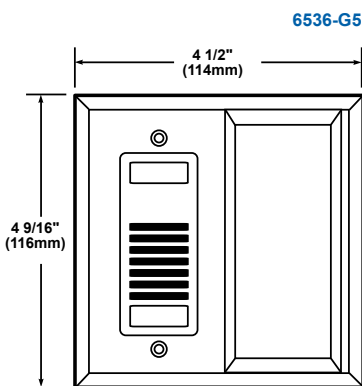
## Technical Information

Connecting 7005-G5 Hotel Room Annunciator



## Weights and Dimensions

Cat. No.	Approx. Net Weight (lb.)	Approx. Shipping Weight (lb.)
7005-G5	1.46	1.66
7005A-G5	1.46	1.66
7005B-G5	1.46	1.66
7005G-G5	1.46	1.66
7005R-G5	1.46	1.66



6  
CALL FOR ASSISTANCE