

WIREMOLD



Evolution™ Series Poke-Thru Device Pre-Pour Sleeve INSTALLATION INSTRUCTIONS

Installation Instruction No.: 1 008 320 R1 – Updated June 2009

Wiremold/Legrand electrical systems conform to and should be properly grounded in compliance with requirements of the current National Electrical Code or codes administered by local authorities.

All electrical products may present a possible shock or fire hazard if improperly installed or used. Wiremold/Legrand electrical products may bear the mark as UL Listed and/or Classified and should be installed in conformance with current local and/or the National Electrical Code.

IMPORTANT: Please read all instructions before beginning.

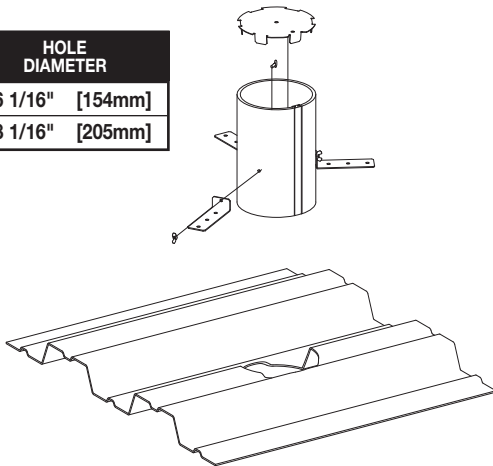
Products Covered: 6PPS, 8PPS, 6PPS-PD, 8PPS-PD

NOTE: Cat. No. 6PPS, 8PPS, 6PPS-PD and 8PPS-PD are not UL Listed or Classified Products. The Sleeve **MUST** be removed before installing a 6AT or 8AT Series Poke-Thru Device.

CORRUGATED STEEL DECK INSTALLATION:

STEP 1. Cut hole in deck to allow Pre-Pour Sleeve to pass through. Refer to chart for proper hole size. Attach Mounting Brackets to Pre-Pour Sleeve. Replace Cap.

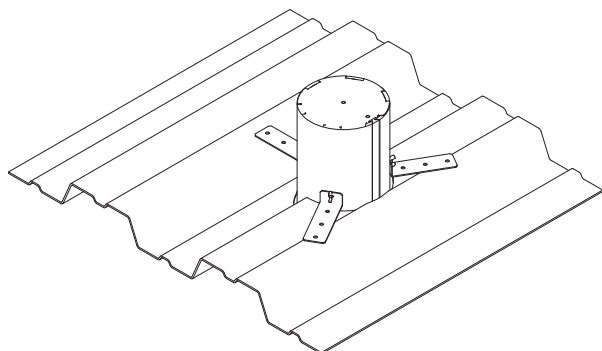
CATALOG NUMBER	HOLE DIAMETER
6PPS	6 1/16" [154mm]
8PPS	8 1/16" [205mm]



CAUTION: Tube must be installed plumb and remain plumb during the concrete pour.

NOTE: Pre-Pour Sleeve protrudes 6" [152mm] above crest of the deck.

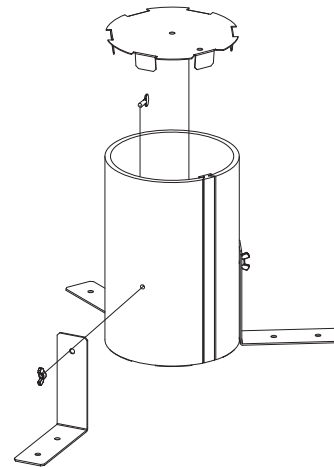
STEP 2. Attach Pre-Pour Sleeve assembly to the Deck with Tube protruding through Hole using sheet metal screws (not provided).



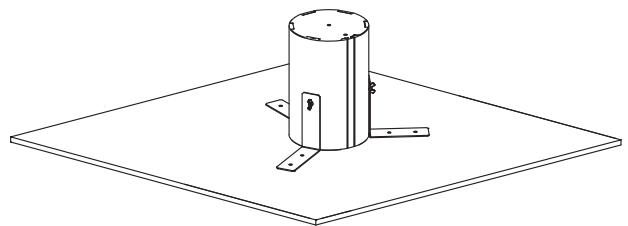
NOTE: Insure that all gaps between deck and tube are sealed completely.

PLYWOOD DECK INSTALLATION:

STEP 1. Attach Mounting Brackets to Pre-Pour Sleeve.

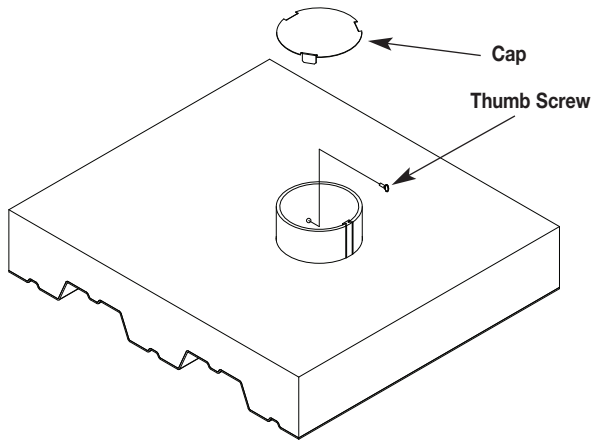


STEP 2. Attach Pre-Pour Sleeve assembly to the Deck.

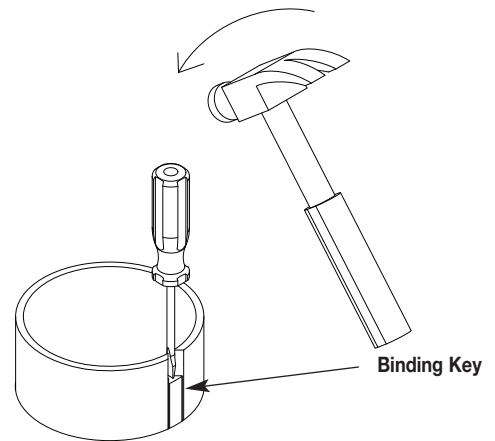


STEP 3. Pour Concrete and let cure.

STEP 4. Remove Cap and three (3) Internal Thumb Screws.



STEP 5. Tap Binding Key out of Tube. Once the Binding Key is removed, the Tube will collapse inward and can be removed from the Hole.



WIREMOLD

legrand

Wiremold / Legrand

U.S. and International:

60 Woodlawn Street • West Hartford, CT 06110

1-800-621-0049 • FAX 860-232-2062 • Outside U.S.: 860-233-6251

Canada:

570 Applewood Crescent • Vaughan, Ontario L4K 4B4

1-800-723-5175 • FAX 905-738-9721

