



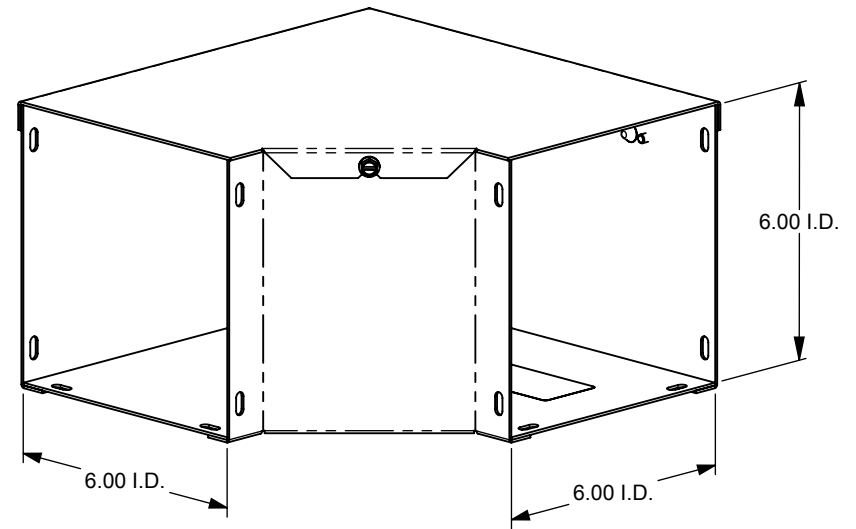
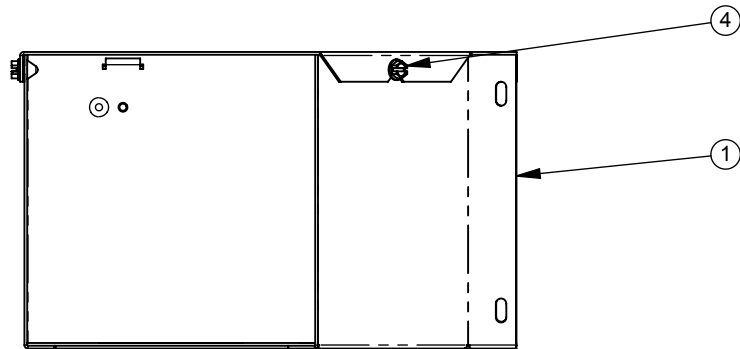
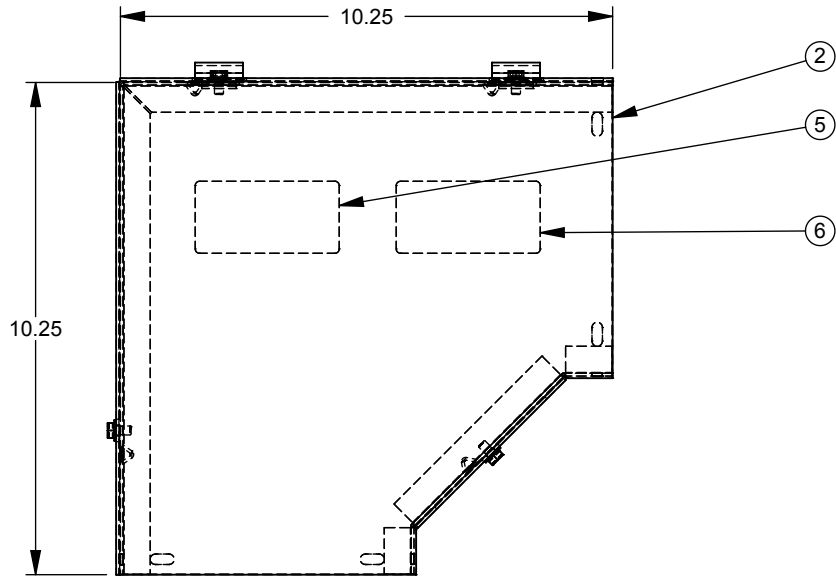
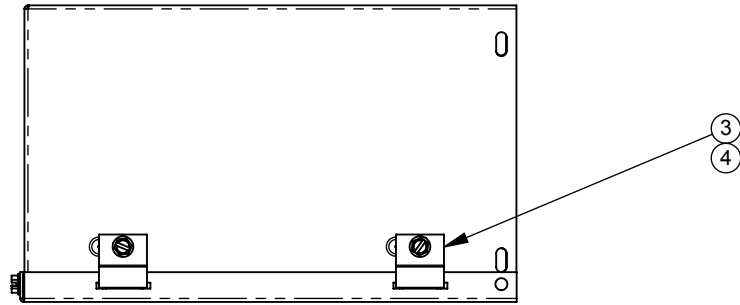
Catalog Number: 66GFL90S
Item Description: WIREWAY ACCESSORY
UPC Code: 784572108462

Brand Name: Milbank
Type: Wireway 90 Degree Side Opening Elbow
Application: Wireway Accessory
Standard: UL Listed, Type 1
Cover Type: Hinge Cover
Enclosure: Indoor Enclosure
Nominal Cross Section: 6x6
Material: Steel with Powder Coat Finish
Finish: ANSI 61 Gray
Knockouts: False




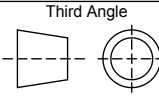
Utility requirements may vary. Always consult the serving utility for their requirements prior to ordering or installing this equipment. This product must always be installed by a licensed electrician. Installation of this equipment may require local electrical inspector approval.

ITEM	QTY.	PART NUMBER	DESCRIPTION
1	1	1158812	WELDMENT
2	1	1158807	TOP
3	2	1003198	HINGE
4	4	1001290	SCREW, 10-32 X 5/16
5	1	1002942	LABEL, RATING
6	1	1002943	UL LABEL, WIREWAY
7	0.5	1002968	CARTON 2-PER (NOT SHOWN)



NEMA DWG.: #367

REV.	DATE	DESCRIPTION	BY
B1	4/19/12	REDRAW INTO SOLIDWORKS (ECO #22208)	D.F.
B2	2-27-13	ADDED 10.25 DIMENSIONS (ECO #23598)	DL

Material:	SEE EACH PART		 General Offices: Kansas City, MO
Shear/ Die#:			
Finish:	SEE EACH PART		
Part Wt.:			Title:
Tolerances: Unless Specified Otherwise X.X ±.1 X.XX ±.03 X.XXX ±.015 X* ±2*		Third Angle 	
Scale:		NTS	Checked By:
Drawn By:		D.F.	Approved By:
Customer:		Drawing No.: 1004805	
Date:		4/19/12	Sheet 1 of 1



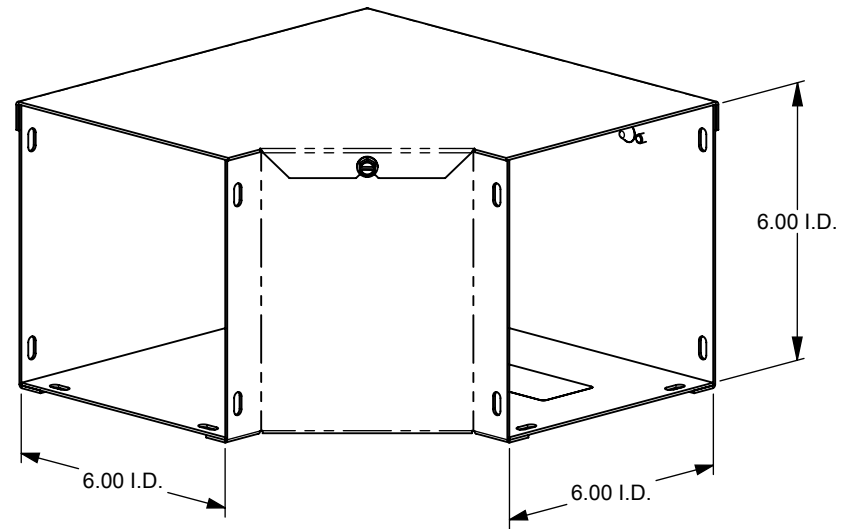
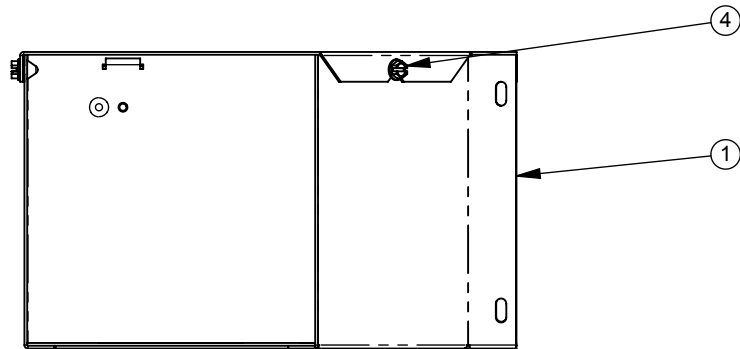
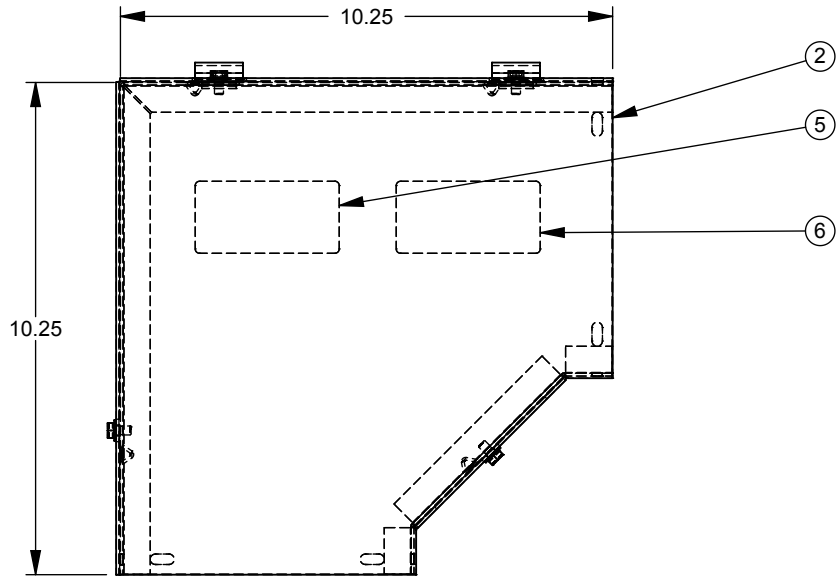
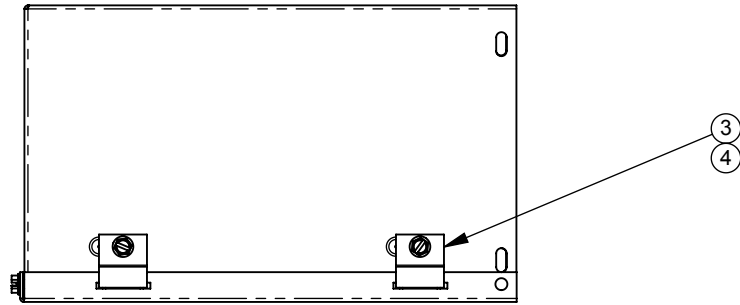
Catalog Number: 66GFL90S
Item Description: WIREWAY ACCESSORY
UPC Code: 784572108462

Brand Name: Milbank
Type: Wireway 90 Degree Side Opening Elbow
Application: Wireway Accessory
Standard: UL Listed, Type 1
Cover Type: Hinge Cover
Enclosure: Indoor Enclosure
Nominal Cross Section: 6x6
Material: Steel with Powder Coat Finish
Finish: ANSI 61 Gray
Knockouts: False



Utility requirements may vary. Always consult the serving utility for their requirements prior to ordering or installing this equipment. This product must always be installed by a licensed electrician. Installation of this equipment may require local electrical inspector approval.

ITEM	QTY.	PART NUMBER	DESCRIPTION
1	1	1158812	WELDMENT
2	1	1158807	TOP
3	2	1003198	HINGE
4	4	1001290	SCREW, 10-32 X 5/16
5	1	1002942	LABEL, RATING
6	1	1002943	UL LABEL, WIREWAY
7	0.5	1002968	CARTON 2-PER (NOT SHOWN)



NEMA DWG.: #367

REV.	DATE	DESCRIPTION	BY
B1	4/19/12	REDRAW INTO SOLIDWORKS (ECO #22208)	D.F.
B2	2-27-13	ADDED 10.25 DIMENSIONS (ECO #23598)	DL

Material:	SEE EACH PART		<p>General Offices: Kansas City, MO</p>
Shear/ Die#:			
Finish:	SEE EACH PART		Title:
Part Wt.:			Catalog No.:
Tolerances: Unless Specified Otherwise X.X ±.1 X.XX ±.03 X.XXX ±.015 X* ±2*		Third Angle 	
Scale:	NTS	Checked By:	Customer:
Drawn By:	D.F.	Approved By:	Drawing No.: 1004805
		Date:	4/19/12
		Sheet	1 of 1