



Catalog Number: 6648-GHC1-NK
Item Description: N1 HINGE CVR GUTTER NK
UPC Code: 784572108127

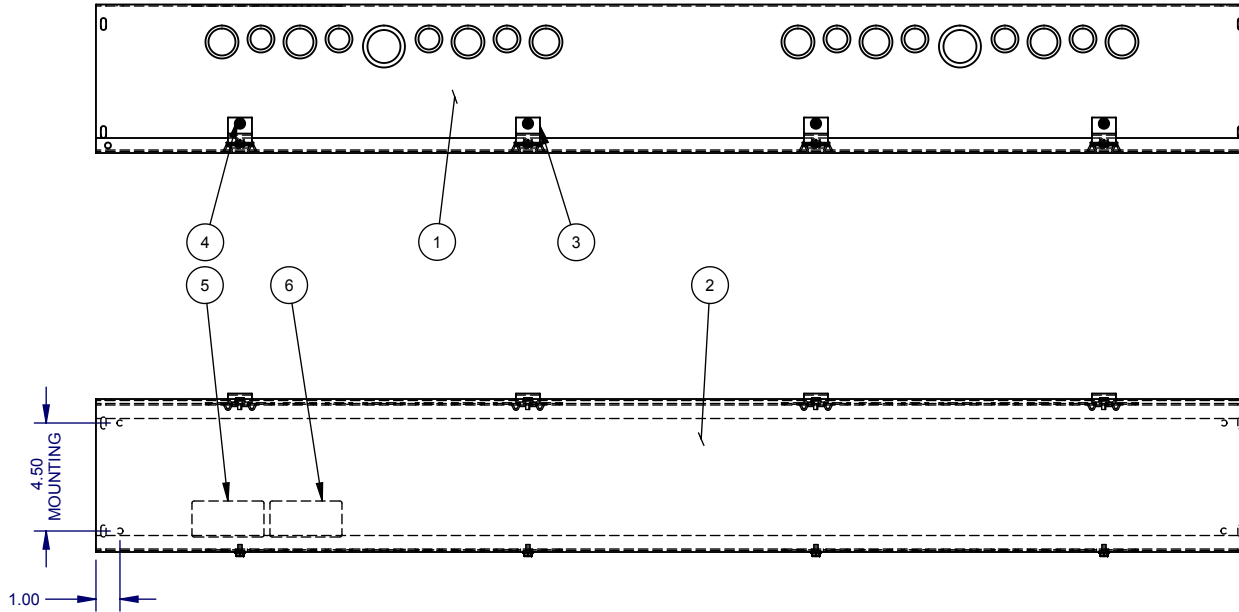
Brand Name: Milbank
Type: Lay In Wireway
Application: Wireway
Standard: UL Listed, Type 1
Cover Type: Hinge Cover
Enclosure: Indoor Enclosure
Nominal Cross Section: 6x6
Straight Section Length: 48
Material: Steel with Powder Coat Finish
Finish: ANSI 61 Gray
Knockouts: False



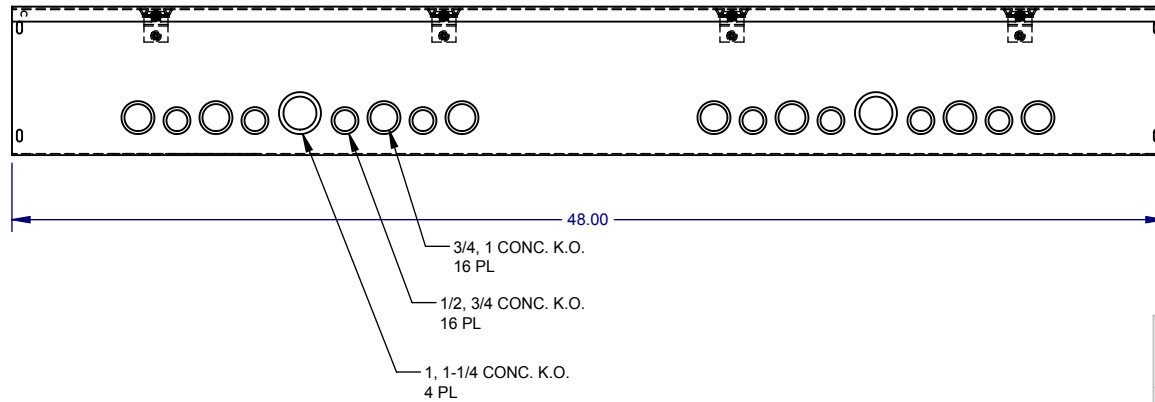
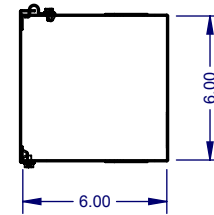
Utility requirements may vary. Always consult the serving utility for their requirements prior to ordering or installing this equipment. This product must always be installed by a licensed electrician. Installation of this equipment may require local electrical inspector approval.

CATALOG#	LABEL#
6648-GHC1(-)	1002943
RC-6648-GHC1(-)	1125051
SPH-664(-)	1132575

ITEM	QTY.	PART NUMBER	DESCRIPTION
1	1	(SEE CHART)	BACK
2	1	(SEE CHART)	TOP
3	4	1003198	HINGE
4	8	1001290	SCREW, 10-32 X 5/16
5	1	(SEE CHART)	UL LABEL, WIREWAY
6	1	1002942	LABEL, RATING
7	2	1002880	BAG ASSY (NOT SHOWN)



SUFFIX	BACK #	COVER #
-SU	1011996	1012000
-SUC	1128886	1128865
-SO	1128887	1128866
-SUNK	1011998	1012000
-NK	1128888	1128866
-SUNKC	1128889	1128865




SUFFIX	FINISH
NONE	PAINTED
-NP	NOT PAINTED

NOTE:
1. PLACE BAG ASS'Y INSIDE ENCLOSURE. (NOT SHOWN)

NEMA DWG.: #359

REV.	DATE	DESCRIPTION	BY
E1	4/10/08	ADDED CHART & REMOVED NOTE #2(ECO.17139)	JLT
E2	12/20/11	RENUMBER DRAWING (ECO #21712)	D.F.
E3	5/28/13	ADJUST QUANTITIES TO MATCH B.O.M. (ECO #24016)	D.F.

Material:	16 GA. - SEE CHART	 General Offices: Kansas City, MO
Shear/ Die#:		
Finish:	SEE CHART	
Part Wt.:		
Tolerances:	Unless Specified Otherwise X.X ±.1 X.XX ±.03 X.XXX ±.015 X* ±2*	Title: HINGE COVER WIREWAY 6 x 6 x 48, TYPE 1 NEMA ENCLOSURE Catalog No.: (SEE CHART) Customer: MILBANK STANDARD Drawing No.: 1011578 Date: _____ Sheet 1 of 1
Scale:	NTS	Third Angle
Drawn By:	DL	Checked By: _____ Approved By: _____



Catalog Number: 6648-GHC1-NK
Item Description: N1 HINGE CVR GUTTER NK
UPC Code: 784572108127

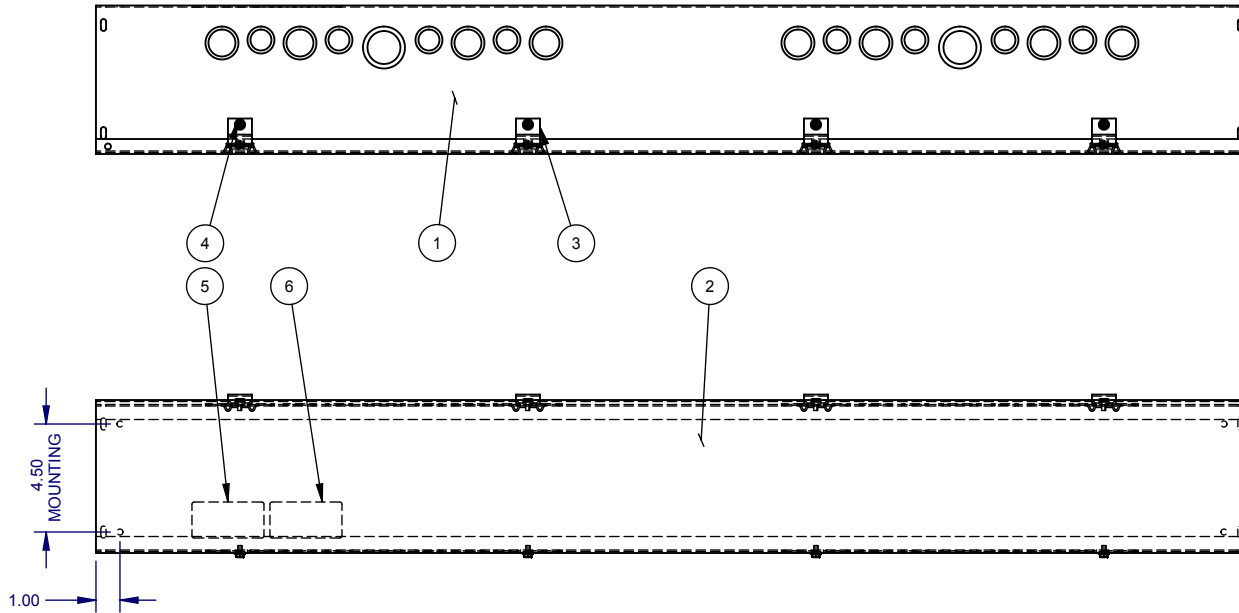
Brand Name: Milbank
Type: Lay In Wireway
Application: Wireway
Standard: UL Listed, Type 1
Cover Type: Hinge Cover
Enclosure: Indoor Enclosure
Nominal Cross Section: 6x6
Straight Section Length: 48
Material: Steel with Powder Coat Finish
Finish: ANSI 61 Gray
Knockouts: False



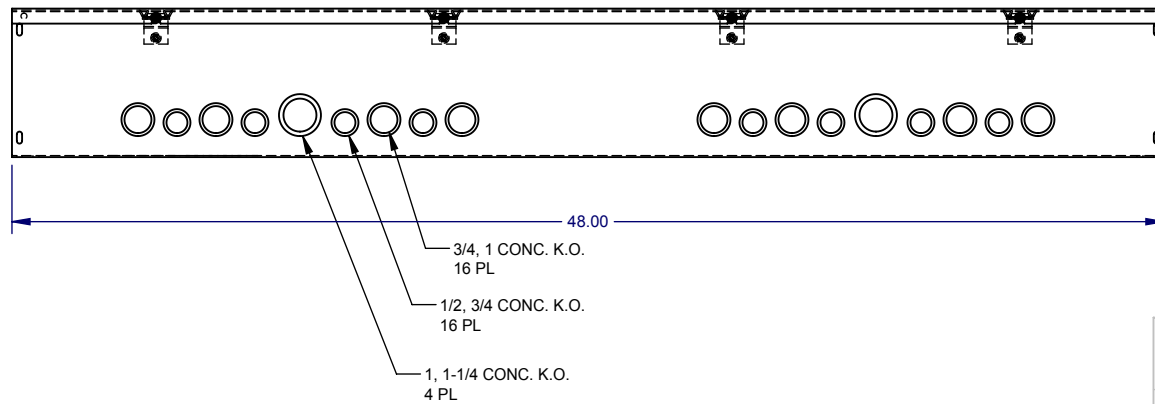
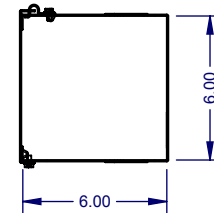
Utility requirements may vary. Always consult the serving utility for their requirements prior to ordering or installing this equipment. This product must always be installed by a licensed electrician. Installation of this equipment may require local electrical inspector approval.

CATALOG#	LABEL#
6648-GHC1(-)	1002943
RC-6648-GHC1(-)	1125051
SPH-664(-)	1132575

ITEM	QTY.	PART NUMBER	DESCRIPTION
1	1	(SEE CHART)	BACK
2	1	(SEE CHART)	TOP
3	4	1003198	HINGE
4	8	1001290	SCREW, 10-32 X 5/16
5	1	(SEE CHART)	UL LABEL, WIREWAY
6	1	1002942	LABEL, RATING
7	2	1002880	BAG ASSY (NOT SHOWN)



SUFFIX	BACK #	COVER #
-SU	1011996	1012000
-SUC	1128886	1128865
-SO	1128887	1128866
-SUNK	1011998	1012000
-NK	1128888	1128866
-SUNKC	1128889	1128865




SUFFIX	FINISH
NONE	PAINTED
-NP	NOT PAINTED

NOTE:
1. PLACE BAG ASS'Y INSIDE ENCLOSURE. (NOT SHOWN)

NEMA DWG.: #359

REV.	DATE	DESCRIPTION	BY
E1	4/10/08	ADDED CHART & REMOVED NOTE #2(ECO.17139)	JLT
E2	12/20/11	RENUMBER DRAWING (ECO #21712)	D.F.
E3	5/28/13	ADJUST QUANTITIES TO MATCH B.O.M. (ECO #24016)	D.F.

Material:	16 GA. - SEE CHART	 General Offices: Kansas City, MO	
Shear/ Die#:			
Finish:	SEE CHART		
Part Wt.:			
Tolerances:	Third Angle	Title:	HINGE COVER WIREWAY 6 x 6 x 48, TYPE 1 NEMA ENCLOSURE
Unless Specified Otherwise	X.X ±.1	Catalog No.:	(SEE CHART)
X.XX ±.03	X.XXX ±.015	Customer:	MILBANK STANDARD
X* ±2*		Drawing No.:	1011578
Scale:	NTS	Date:	
Checked By:		Sheet	1 of 1
Drawn By:	DL	Approved By:	