



Catalog Number: 6624-GSC3R-NK
Item Description: N3R SCREW CVR GUTTER NK
UPC Code: 784572107892

Brand Name: Milbank
Type: Wiring Trough
Special Features: Key Locking Cylinder Latch Provision,
Sealing Eye Lance
Application: Wireway
Standard: UL Listed, Type 3R
Cover Type: Screw Cover
Enclosure: Outdoor Enclosure
Nominal Cross Section: 6x6
Straight Section Length: 24
Material: Steel with Powder Coat Finish
Finish: ANSI 61 Gray
Knockouts: False

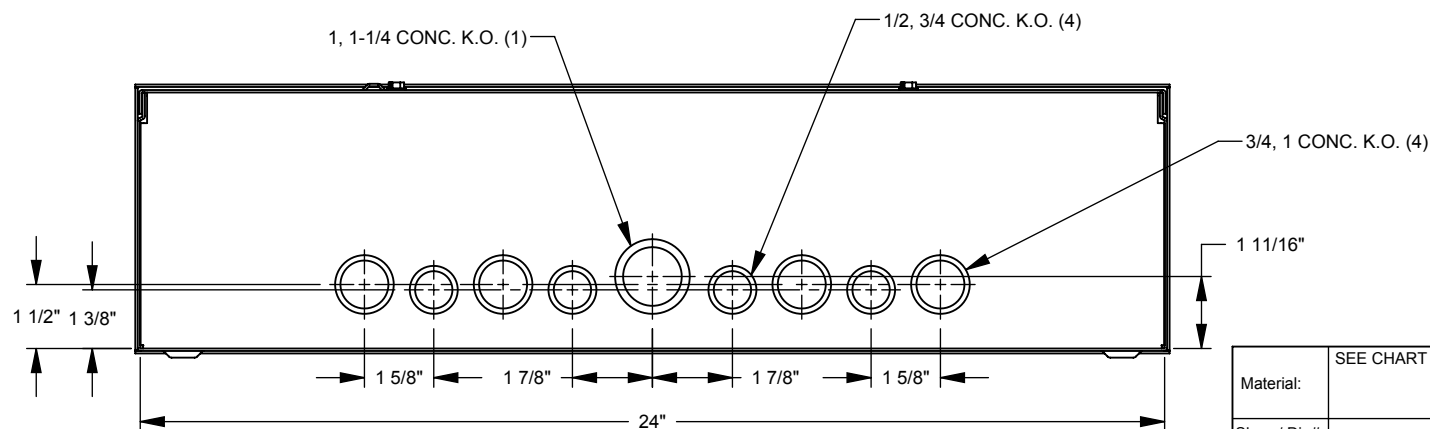
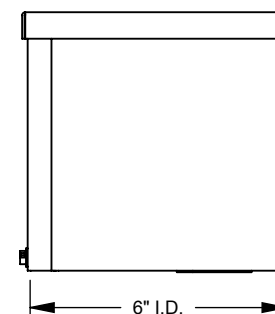
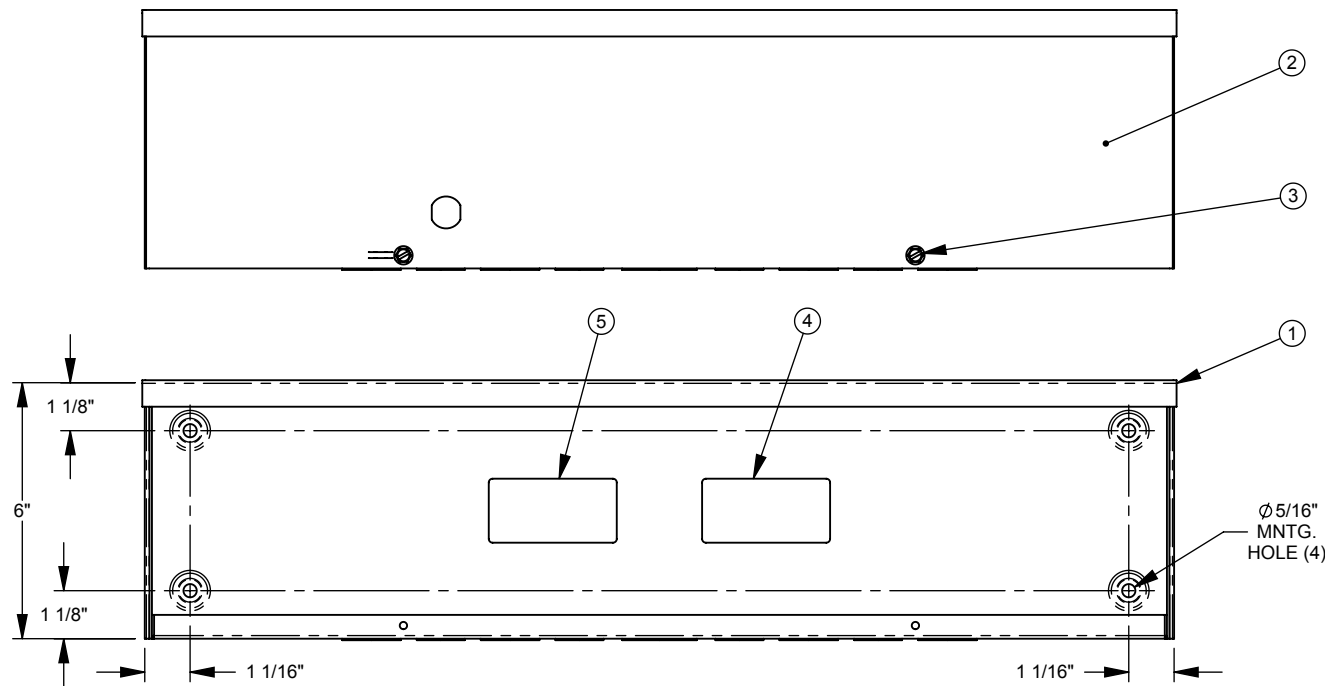


Utility requirements may vary. Always consult the serving utility for their requirements prior to ordering or installing this equipment. This product must always be installed by a licensed electrician. Installation of this equipment may require local electrical inspector approval.


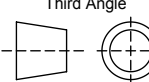
CAT. NO.	U/L LABEL
6624-GSC3R-()	1002943
RC-6624-GSC3R-()	1125051
SPRSCG-6624-()	1132575

SUFFIX	MATERIAL	FINISH	BACK WELDMENT	FRONT	K.O.s INSTALLED
NONE	16 GA. GALV. STEEL	MILBANK LIGHT GRAY	1153010	1004419	YES
-NK	16 GA. GALV. STEEL	MILBANK LIGHT GRAY	1153011	1004419	NO
XS-NK	16 GA. 304 STAINLESS STEEL	GRAINED	1153012	1150622	NO

ITEM	QTY.	PART NUMBER	DESCRIPTION
1	1	(SEE CHART)	BACK WELDMENT
2	1	(SEE CHART)	FRONT
3	2	1001290	SCREW, 10-32 X 5/16
4	1	1002897	LABEL, RATING 6x6 GSC3R
5	1	(SEE CHART)	UL LABEL, WIREWAY



REV.	DATE	DESCRIPTION	BY
A4	5/12/11	REDRAW INTO SOLIDWORKS; UPDATE K.O. PATTERN (ECO #20576)	D.F.

Material:	SEE CHART	 <p>General Offices: Kansas City, MO</p>
Shear/ Die#:		
Finish:	SEE CHART	
Part Wt.:		
Tolerances: Unless Specified Otherwise X.X ±.1 X.XX ±.03 X.XXX ±.015 X* ±2*		Title: SCREW COVER WIREWAY NEMA TYPE 3R Catalog No.: SEE CHART Customer: Drawing No.: 280
Scale:	NTS	Third Angle 
Drawn By:	D.F.	Checked By: Approved By:
Date:	5/12/11	Sheet 1 of 1



Catalog Number: 6624-GSC3R-NK
Item Description: N3R SCREW CVR GUTTER NK
UPC Code: 784572107892

Brand Name: Milbank
Type: Wiring Trough
Special Features: Key Locking Cylinder Latch Provision,
Sealing Eye Lance
Application: Wireway
Standard: UL Listed, Type 3R
Cover Type: Screw Cover
Enclosure: Outdoor Enclosure
Nominal Cross Section: 6x6
Straight Section Length: 24
Material: Steel with Powder Coat Finish
Finish: ANSI 61 Gray
Knockouts: False

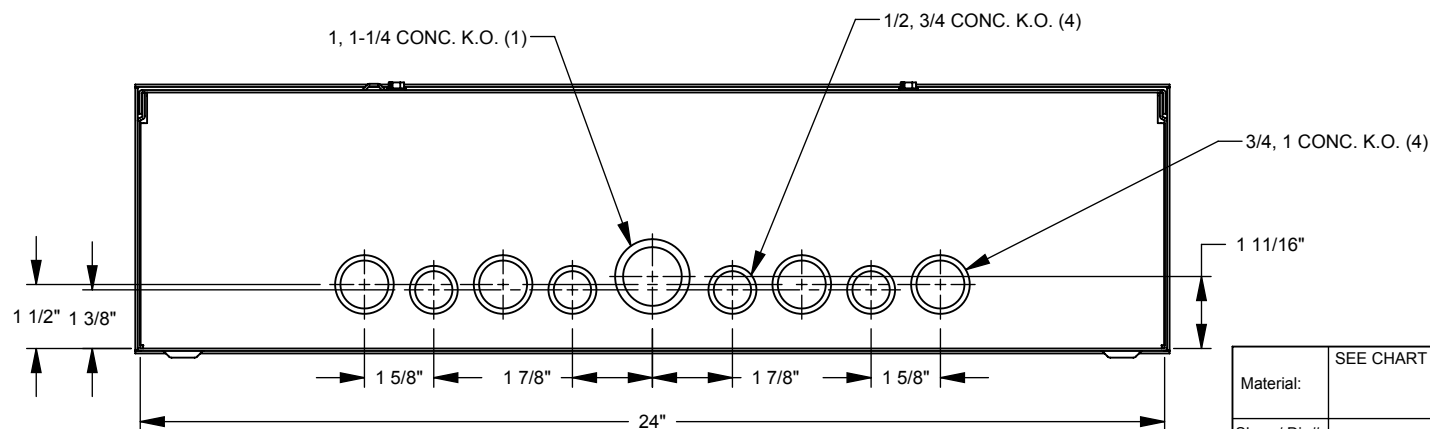
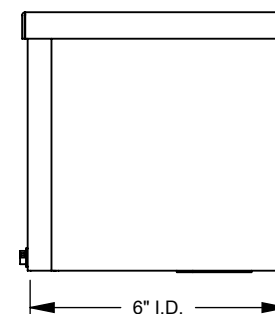
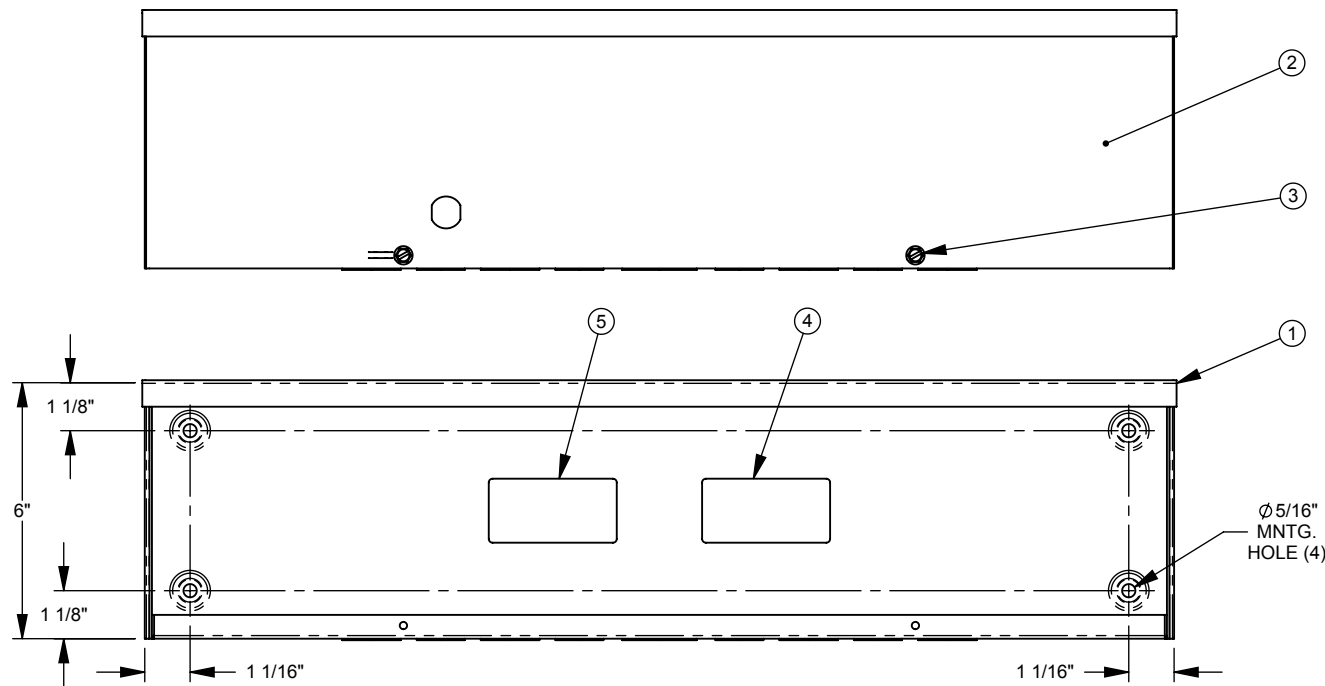


Utility requirements may vary. Always consult the serving utility for their requirements prior to ordering or installing this equipment. This product must always be installed by a licensed electrician. Installation of this equipment may require local electrical inspector approval.


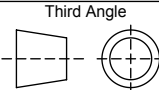
CAT. NO.	U/L LABEL
6624-GSC3R-()	1002943
RC-6624-GSC3R-()	1125051
SPRSCG-6624-()	1132575

SUFFIX	MATERIAL	FINISH	BACK WELDMENT	FRONT	K.O.s INSTALLED
NONE	16 GA. GALV. STEEL	MILBANK LIGHT GRAY	1153010	1004419	YES
-NK	16 GA. GALV. STEEL	MILBANK LIGHT GRAY	1153011	1004419	NO
XS-NK	16 GA. 304 STAINLESS STEEL	GRAINED	1153012	1150622	NO

ITEM	QTY.	PART NUMBER	DESCRIPTION
1	1	(SEE CHART)	BACK WELDMENT
2	1	(SEE CHART)	FRONT
3	2	1001290	SCREW, 10-32 X 5/16
4	1	1002897	LABEL, RATING 6x6 GSC3R
5	1	(SEE CHART)	UL LABEL, WIREWAY



REV.	DATE	DESCRIPTION	BY
A4	5/12/11	REDRAW INTO SOLIDWORKS; UPDATE K.O. PATTERN (ECO #20576)	D.F.

Material:	SEE CHART	 <p>General Offices: Kansas City, MO</p>	
Shear/ Die#:			
Finish:	SEE CHART		
Part Wt.:			
Tolerances: Unless Specified Otherwise X.X ±.1 X.XX ±.03 X.XXX ±.015 X* ±2*		Third Angle 	
Scale:	NTS	Checked By:	
Drawn By:	D.F.	Approved By:	
Title:	SCREW COVER WIREWAY NEMA TYPE 3R	Catalog No.:	SEE CHART
Customer:		Drawing No.:	280
Date:	5/12/11	Sheet	1 of 1