



Catalog Number: 6624-GHC1-NK  
Item Description: N1 HINGE CVR GUTTER NK  
UPC Code: 784572107854

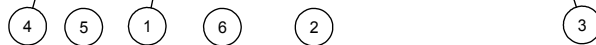
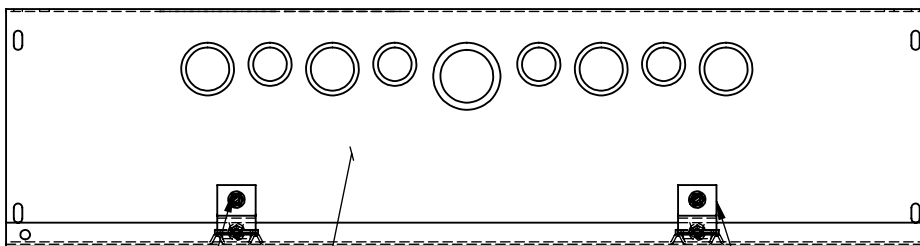
Brand Name: Milbank  
Type: Lay In Wireway  
Application: Wireway  
Standard: UL Listed, Type 1  
Cover Type: Hinge Cover  
Enclosure: Indoor Enclosure  
Nominal Cross Section: 6x6  
Straight Section Length: 24  
Material: Steel with Powder Coat Finish  
Finish: ANSI 61 Gray  
Knockouts: False



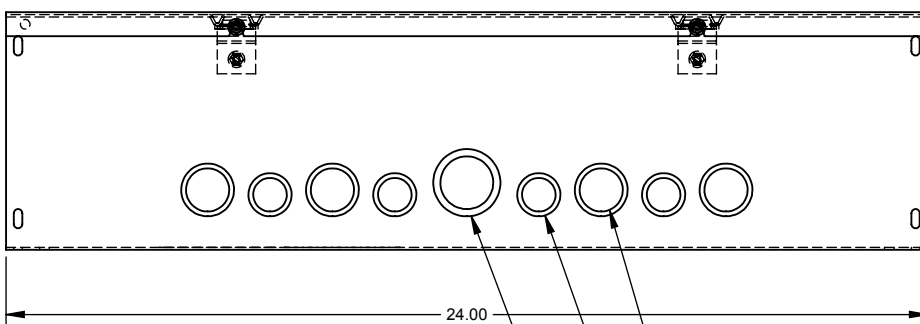
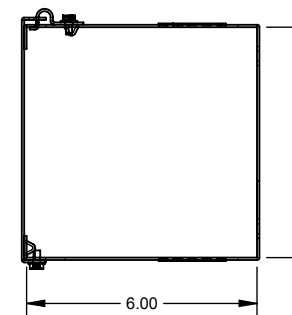
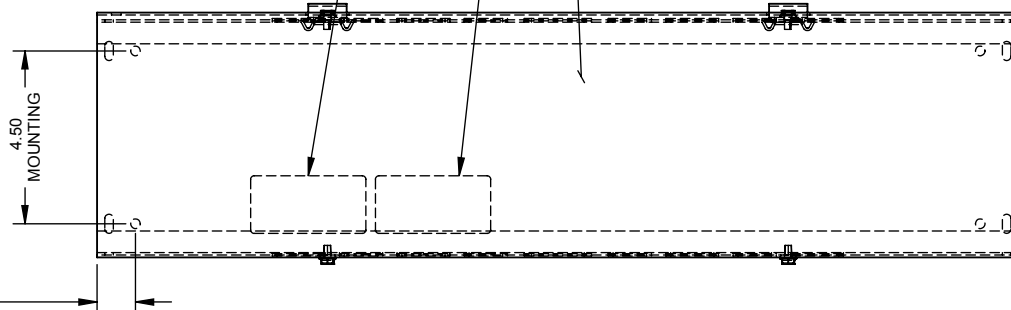
*Utility requirements may vary. Always consult the serving utility for their requirements prior to ordering or installing this equipment. This product must always be installed by a licensed electrician. Installation of this equipment may require local electrical inspector approval.*

CATALOG#	LABEL#
6624-GHC1(-)	1002943
RC-6624-GHC1(-)	1125051
SPH-662(-)	1132575

ITEM	QTY.	PART NUMBER	DESCRIPTION
1	1	(SEE CHART)	BACK
2	1	(SEE CHART)	TOP
3	2	1003198	HINGE
4	4	1001290	SCREW, 10-32 X 5/16
5	1	(SEE CHART)	LABEL (U/L LISTING)
6	1	1002942	LABEL, RATING
7	2	1002880	BAG ASSY.




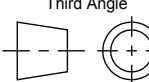
SUFFIX	BACK #	COVER #
-SU	1011986	1011990
-SUC	1128881	1128860
-SO	1128882	1128861
-SUNK	1011988	1011990
-NK	1128884	1128861
-SUNKC	1128885	1128860



- 3/4, 1 CONC. K.O.  
8 PL
- 1/2, 3/4 CONC. K.O.  
8 PL
- 1, 1-1/4 CONC. K.O.  
2 PL

SUFFIX	FINISH
NONE	PAINTED
-NP	NOT PAINTED

NOTE:  
1. PLACE BAG ASS'Y INSIDE ENCLOSURE. (NOT SHOWN)

Material:	16 GA. - SEE CHART	 General Offices: Kansas City, MO	
Shear/ Die#:			
Finish:	SEE CHART	Title:	HINGE COVER WIREWAY 6 x 6 x 24, TYPE 1 NEMA ENCLOSURE
Part Wt.:		Catalog No.:	6624-GHC1
Tolerances: Unless Specified Otherwise X.X ±.1 X.XX ±.03 X.XXX ±.015 X" ±2*		Customer:	MILBANK STANDARD
Third Angle 		Drawing No.:	357
Scale:	NTS	Date:	8-28-07
Drawn By:	DL	Sheet	1 of 1

REV	DATE	DESCRIPTION	BY
D	8-28-07	REDRAWN IN SW & ADDED BACK & COVER CHART ECO. 15946	DL
D1	4/10/08	ADDED CHART & REMOVED NOTE #2 (ECO.17139)	JLT



Catalog Number: 6624-GHC1-NK  
Item Description: N1 HINGE CVR GUTTER NK  
UPC Code: 784572107854

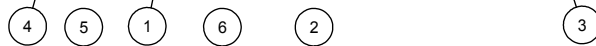
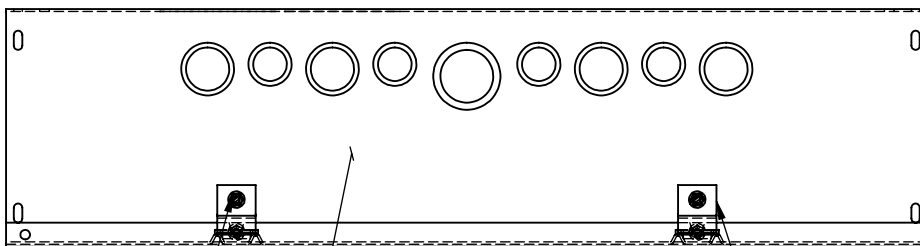
Brand Name: Milbank  
Type: Lay In Wireway  
Application: Wireway  
Standard: UL Listed, Type 1  
Cover Type: Hinge Cover  
Enclosure: Indoor Enclosure  
Nominal Cross Section: 6x6  
Straight Section Length: 24  
Material: Steel with Powder Coat Finish  
Finish: ANSI 61 Gray  
Knockouts: False



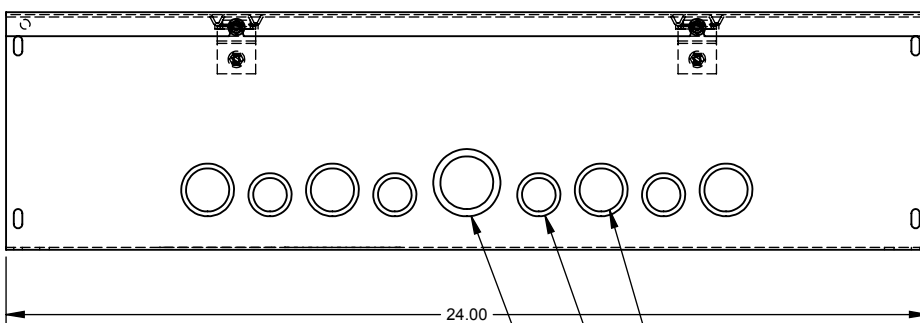
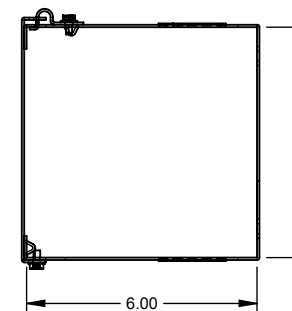
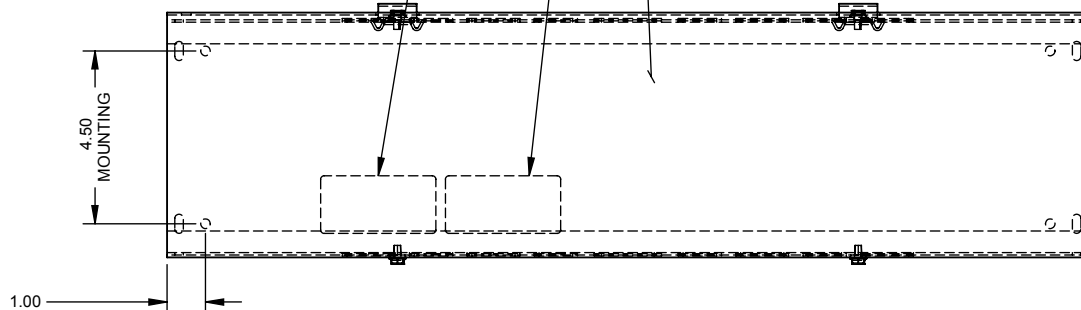
*Utility requirements may vary. Always consult the serving utility for their requirements prior to ordering or installing this equipment. This product must always be installed by a licensed electrician. Installation of this equipment may require local electrical inspector approval.*

CATALOG#	LABEL#
6624-GHC1(-)	1002943
RC-6624-GHC1(-)	1125051
SPH-662(-)	1132575

ITEM	QTY.	PART NUMBER	DESCRIPTION
1	1	(SEE CHART)	BACK
2	1	(SEE CHART)	TOP
3	2	1003198	HINGE
4	4	1001290	SCREW, 10-32 X 5/16
5	1	(SEE CHART)	LABEL (U/L LISTING)
6	1	1002942	LABEL, RATING
7	2	1002880	BAG ASSY.




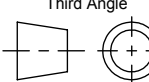
SUFFIX	BACK #	COVER #
-SU	1011986	1011990
-SUC	1128881	1128860
-SO	1128882	1128861
-SUNK	1011988	1011990
-NK	1128884	1128861
-SUNKC	1128885	1128860



- 3/4, 1 CONC. K.O.  
8 PL
- 1/2, 3/4 CONC. K.O.  
8 PL
- 1, 1-1/4 CONC. K.O.  
2 PL

SUFFIX	FINISH
NONE	PAINTED
-NP	NOT PAINTED

NOTE:  
1. PLACE BAG ASS'Y INSIDE ENCLOSURE. (NOT SHOWN)

Material:	16 GA. - SEE CHART	 General Offices: Kansas City, MO	
Shear/ Die#:			
Finish:	SEE CHART	Title:	HINGE COVER WIREWAY 6 x 6 x 24, TYPE 1 NEMA ENCLOSURE
Part Wt.:		Catalog No.:	6624-GHC1
Tolerances: Unless Specified Otherwise X.X ±.1 X.XX ±.03 X.XXX ±.015 X* ±2*		Customer:	MILBANK STANDARD
Third Angle 		Drawing No.:	357
Scale:	NTS	Date:	8-28-07
Drawn By:	DL	Sheet	1 of 1

REV	DATE	DESCRIPTION	BY
D	8-28-07	REDRAWN IN SW & ADDED BACK & COVER CHART ECO. 15946	DL
D1	4/10/08	ADDED CHART & REMOVED NOTE #2 (ECO.17139)	JLT