

## DESCRIPTION

Recessed 6 inch aperture lens downlight for one horizontal 13W or 18W double twin tube compact fluorescent lamp. Fixture is suitable for commercial construction and wet location listed. Insulation must be kept 3" from top and sides of housing. Universal input electronic ballast with dimming and emergency options.

Catalog #		Type
Project		
Comments		Date
Prepared by		

## SPECIFICATION FEATURES

### MECHANICAL

#### Frame

Boat shaped galvanized steel frame with 1/2" plaster lip accommodates ceilings up to 2" thick. May be used for new construction or remodeling installations. Provided with (2) remodel clips to secure frame when installed from below the ceiling.

#### Mounting Brackets

Bar hanger receivers adjusts 2" vertically from above the ceiling or thru the aperture. Use with No Fuss™ bar hangers or with 1/2" EMT. Removable to facilitate installation from below the ceiling.

#### No Fuss™ Bar Hangers

Pre-installed and centered bar hanger locks to tee grid with a screwdriver or pliers. Centering marks on the bar hanger mechanism allows consistent positioning of fixtures.

### OPTICAL

#### Reflector

One piece aluminum reflector secures lens in place with integrated spring clips for a visually comfortable optic and allows for tool-less lens exchange from below the ceiling. Available with clear, diffuse, prismatic, fresnel, or drop opal glass lens. Optional cross blade louver provides sharper cutoff to lamp. Self flanged standard.

- **Specular Reflectors** - Polished flange standard with white painted flange option.

- **Baffles and White Reflector** - White painted flange standard.

#### Trim Retention

Reflector is retained with two torsion springs and held tightly to the finished ceiling surface.

### ELECTRICAL

#### Junction Box

(6) 1/2" and (2) 3/4" trade size pry outs positioned to allow straight conduit runs. Listed for (12) #12 AWG (six in, six out) 90°C conductors and feed thru branch wiring.

#### Lamp Socket

4-pin G24q base accepts (1) 13W or 18W DTT lamp.

#### Socket Housing

Galvanized steel socket housing attached securely to reflector with captive thumbscrew. Vents provide effective lamp thermal management.

#### Control Gear

Universal 120V - 277V UNV or 347V input electronic ballast for 13W or 18W compact fluorescent lamp.

#### Emergency Battery Pack

REM - Remote emergency test switch. Housing includes 120V/277V, 60Hz dual-tap battery pack provides 90 minutes of emergency illumination. Long life maintenance free sealed nickel cadmium batteries recharge fully in 24 hours. REM configuration includes prewired and attached remote test switch plate and indicator light. REM option is the standard emergency configuration, and is compatible with all standard reflector options, ordered separately.

IEM - Integral emergency test switch. Housing includes 120V/277V, 60Hz dual-tap battery pack provides 90 minutes of emergency illumination. Long life maintenance free sealed nickel cadmium batteries recharge fully in 24 hours. IEM configuration includes a prewired integral emergency test switch and indicator light that are both

accessible inside the reflector. The IEM option requires "EM" designated reflectors only, ordered separately.

Emergency Battery Pack - Average Lamp Lumen Ratings

REM option: 13W 350lm, 18W 350lm

IEM option: 13W 570lm, 18W 680lm

(Note: average lamp lumens are based upon REM and IEM manufacturer ratings. Delivered lumens depend upon trim; refer to trim photometry to factor delivered lumens).

#### Code Compliance

- Thermally protected and cULus listed for wet locations.

- IP44 rated for lens trims.

- NFPA Life Safety (Emergency Battery Pack).

- EMI/RFI per FCC Title 47 CFR, Part 18, non consumer limits.

- High efficacy luminaire may be used to meet IECC, ASHRAE, and Title 24 commercial standards.



**PD6H113**  
**PD6H118**  
**62H**

**(1) 13W or 18W DTT**

**Compact Fluorescent**

**6-Inch Aperture**

**Lens Downlight**

**New Construction or Remodel Non-IC**

## ENERGY DATA

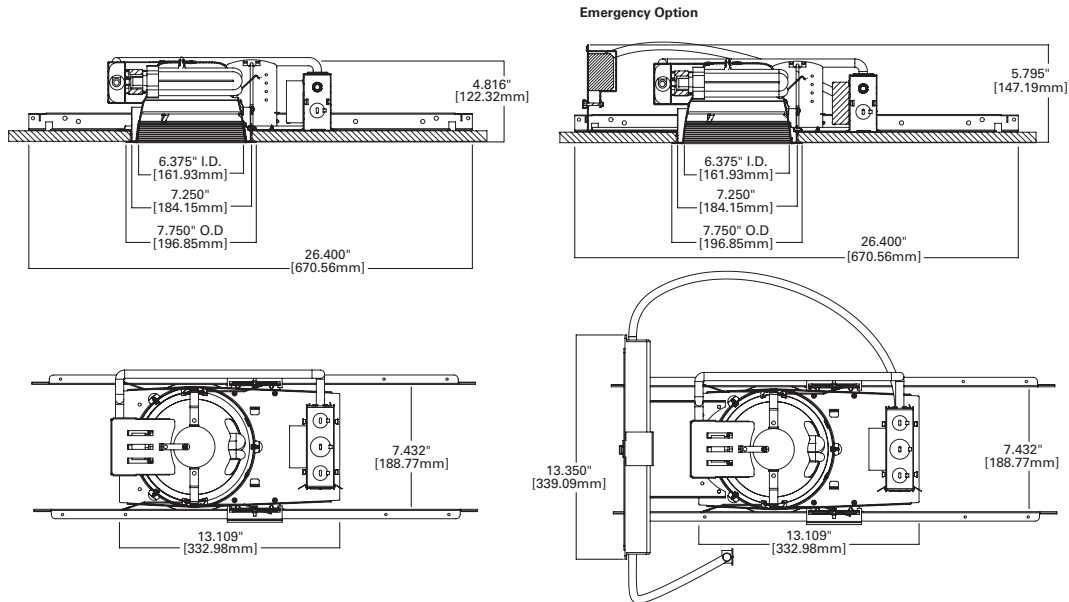
PD6H113E, PD6CPH113E	
MIN. STARTING TEMP -5°F / -20°C	SOUND RATING CLASS A
EMI/RFI EMISSIONS FCC 47CFR PART 18 NON-CONSUMER LIMITS	
INPUT FREQUENCY 50/60 HZ	POWER FACTOR > 0.98
THD < 10%	INPUT VOLTAGE 120V - 277V ±10%
CREST FACTOR < 1.7	BALLAST FACTOR 1.00
OPERATING FREQUENCY > 40kHz	UL LISTED CLASS P, TYPE 1 OUTDOOR, CSA OR C/UL CERTIFIED
CFQ13W/G24Q	INPUT POWER 16W
	INPUT CURRENT 0.25A @ 120V
	INPUT CURRENT 0.11A @ 277V

PD6H113E	
Min. Starting Temp 0°F / -18°C	SOUND RATING CLASS A
EMI/RFI EMISSIONS FCC 47CFR Part 18 Non-Consumer Limits	
Input Frequency 50-60Hz	POWER FACTOR > 0.98
THD < 10%	INPUT VOLTAGE 347VAC ±10%
Crest factor < 1.7	BALLAST FACTOR 1.00
Operating Frequency 62-72 kHz	cULUS CERTIFIED
CFQ13W/G24Q	INPUT POWER 18W
	INPUT CURRENT 0.06A @ 347V

PD6H118E, PD6CPH118E	
Min. Starting Temp 0°F / -18°C	SOUND RATING CLASS A
EMI/RFI EMISSIONS FCC 47CFR Part 18 Non-Consumer Limits	
Input Frequency 50/60 Hz	Power Factor > 0.98 @ 120V
THD < 10% @ 120V	Power Factor > 0.95 @ 277V
THD < 15% @ 277V	Input Voltage 120VAC - 277VAC ±10%
Crest factor < 1.5	Ballast factor 1.00
Operating Frequency 50-60kHz	cULus, Class P, Type 1 Outdoor, Type CC, Type HL
CFQ18W/G24Q	Input Power 19W
	Input Current 0.16A @ 120V
	Input Current 0.07A @ 277V

PD6H118E	
Min. Starting Temp 0°F / -18°C	SOUND RATING CLASS A
EMI/RFI EMISSIONS FCC 47CFR Part 18 Non-Consumer Limits	
Input Frequency 50-60Hz	Power Factor > 0.98
THD < 10%	Input Voltage 347VAC ±10%
Crest factor < 1.5	Ballast factor 1.00
Operating Frequency 60-70 kHz	cULUS Certified
CFQ18W/G24Q	Input Power 21W
	Input Current 0.06A @ 347V

## DIMENSIONS



## ORDERING INFORMATION

SAMPLE NUMBER: PD6H113E 62H1GC

Order housing, reflector and lamp separately for a complete luminaire.

<p><b>Housing</b>  <b>PD6H113</b> = 6 Inch horizontal                  (1) 13W DTT CFL  <b>PD6CPH113</b> = 6 Inch horizontal                  (1) 13W DTT CFL,                  CCEA listed                  (Chicago Plenum)</p>	<p><b>Reflector</b>  <b>62H</b> = 6" horizontal  <b>62HEM</b> = 6" horizontal,                  Emergency (required                  with IEM ballast option)</p>	<p><b>Regressed Lens Option</b>  <b>1G</b>=Prismatic Glass  <b>2G</b>=Diffuse Glass  <b>3G</b>=Clear Glass  <b>4G</b>=Fresnel Glass</p>	<p><b>Finish Option</b>  <b>C</b>=Specular Clear  <b>G</b>=Specular Gold  <b>H</b>=Semi Specular Clear  <b>W</b>=White (White Flange)  <b>BB</b>=Black Baffle (White Flange)  <b>WB</b>=White Baffle (White Flange)</p>	<p><b>Flange Option</b>  <b>Blank</b>=Polished Flange                  (C, G, H)  <b>Blank</b>=White flange                  (W, BB, WB)  <b>WF</b>=White Flange                  (C, G, H)</p>	<p><b>Accessories</b>  <b>HB128APK</b> = L channel hanger bar,                  26", 'No-Fuss',                  pair (replacement)  <b>RMB22</b> = 22" long wood                  joist mounting bars</p>
<p><b>Ballast Option</b>  <b>E</b> = 120V – 277V 50/60Hz UNV  <b>REM</b> = 120V/277V 60Hz dual-tap emergency                  battery ballast with remote test switch plate  <b>3E</b> = 347V, 50/60Hz  <b>EDMARK7</b> = 5% 0-10V discrete two-wire (13W)                  dimming, 120-277V  <b>EDMARK7REM</b> = 5% 0-10V discrete two-wire (13W) dimming, 120-277V; with REM emergency option</p> <p><b>Integral Emergency Ballast Option</b>  <b>IEM</b> = 120/277V 60Hz dual-tap, Integral Emergency battery ballast with test switch through reflector*  <b>EDMARK7IEM</b> = 5% 0-10V discrete two-wire (13W) dimming, 120-277V; with IEM emergency option*                  *Requires "EM" reflectors only, ordered separately</p>		<p><b>Polymer "Dead Front" Trim</b><sup>1,2</sup>  <b>1GDF</b>=Prismatic Glass with "Dead Front" Trim  <b>2GDF</b>=Diffuse Glass with "Dead Front" Trim  <b>3GDF</b>=Clear Glass with "Dead Front" Trim  <b>4GDF</b>=Fresnel Glass with "Dead Front" Trim  <b>5GDF</b>=Drop Opal Glass with "Dead Front" Trim</p>	<p><b>Note:</b>                  1 "DF" trim option includes Specular Clear (C)                  reflector and white polymer flange only.                  No other finish or flange options apply.                  2 "DF" trim option not available with "IEM" emergency.</p>		

SAMPLE NUMBER: PD6H118E 62H1GC

Order housing, reflector and lamp separately for a complete luminaire.

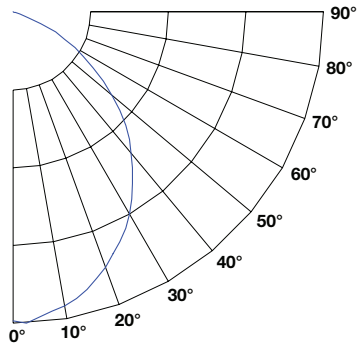
<p><b>Housing</b>  <b>PD6H118</b> = 6 Inch horizontal                  (1) 18W DTT CFL  <b>PD6CPH118</b> = 6 Inch horizontal                  (1) 18W DTT CFL,                  CCEA listed                  (Chicago Plenum)</p>	<p><b>Reflector</b>  <b>62H</b> = 6" horizontal  <b>62HEM</b> = 6" horizontal,                  Emergency (required                  with IEM ballast option)</p>	<p><b>Regressed Lens Option</b>  <b>1G</b>=Prismatic Glass  <b>2G</b>=Diffuse Glass  <b>3G</b>=Clear Glass  <b>4G</b>=Fresnel Glass</p>	<p><b>Finish Option</b>  <b>C</b>=Specular Clear  <b>G</b>=Specular Gold  <b>H</b>=Semi Specular Clear  <b>W</b>=White (White Flange)  <b>BB</b>=Black Baffle (White Flange)  <b>WB</b>=White Baffle (White Flange)</p>	<p><b>Flange Option</b>  <b>Blank</b>=Polished Flange                  (C, G, H)  <b>Blank</b>=White flange                  (W, BB, WB)  <b>WF</b>=White Flange                  (C, G, H)</p>	<p><b>Accessories</b>  <b>HB128APK</b> = L channel hanger bar,                  26", 'No-Fuss',                  pair (replacement)  <b>RMB22</b> = 22" long wood                  joist mounting bars</p>
<p><b>Ballast Option</b>  <b>E</b> = 120V – 277V 50/60Hz UNV  <b>REM</b> = 120V/277V 60Hz dual-tap emergency                  battery ballast with remote test switch plate  <b>3E</b> = 347V, 50/60Hz  <b>1DMARKX</b> = 5% two-wire (18W) dimming, 120V  <b>2DMARKX</b> = 5% two-wire (18W) dimming, 277V  <b>EDMARK7</b> = 5% 0-10V discrete two-wire (18W) dimming, 120-277V  <b>1DMARKXREM</b> = 5% two-wire (18W) dimming, 120V; with REM emergency option  <b>2DMARKXREM</b> = 5% two-wire (18W) dimming, 277V; with REM emergency option  <b>EDMARK7REM</b> = 5% 0-10V discrete two-wire (18W) dimming, 120-277V; with REM emergency option</p> <p><b>Integral Emergency Ballast Option</b>  <b>IEM</b> = 120/277V 60Hz dual-tap, Integral Emergency battery ballast with test switch through reflector*  <b>1DMARKXIEM</b> = 5% two-wire (18W) dimming, 120V; with IEM emergency option*  <b>2DMARKXIEM</b> = 5% two-wire (18W) dimming, 277V; with IEM emergency option*  <b>EDMARK7IEM</b> = 5% 0-10V discrete two-wire (18W) dimming, 120-277V; with IEM emergency option*                  *Requires "EM" reflectors only, ordered separately</p>		<p><b>Polymer "Dead Front" Trim</b><sup>1,2</sup>  <b>1GDF</b>=Prismatic Glass with "Dead Front" Trim  <b>2GDF</b>=Diffuse Glass with "Dead Front" Trim  <b>3GDF</b>=Clear Glass with "Dead Front" Trim  <b>4GDF</b>=Fresnel Glass with "Dead Front" Trim  <b>5GDF</b>=Drop Opal Glass with "Dead Front" Trim</p>	<p><b>Note:</b>                  1 "DF" trim option includes Specular Clear (C)                  reflector and white polymer flange only.                  No other finish or flange options apply.                  2 "DF" trim option not available with "IEM" emergency.</p>		

## PHOTOMETRY

### PD6H113E-62H1GC\_13DTT

Spacing Criteria = 0.92  
Lumens per Watt = 31 LpW  
Test No. P31431  
Test Model: PD6H113E-62H1GC\_13DTT

Candlepower Distribution Curve



Candela Distribution	
Degrees Vertical	Candela
0°	263
5	251
15	217
25	172
35	128
45	92
55	60
65	30
75	1
85	0
90	0

\*CBCP

Luminance	
(Average Candela/M²)	
Degree	Avg. 0° Luminance
45	5092
55	3781
65	2275
75	99
85	0

Cone of Light Footcandles			
Distance to Illuminated Plane	Initial Nadir Footcandles	Beam (ft.)	
		L Length	W Width
5.5'	9	5.5	6.3
7'	5	7.1	8
8'	4	8.1	9.1
9'	3	9.1	10.3
10'	3	10.1	11.4
12'	2	12.1	13.7
14'	1	14.1	16

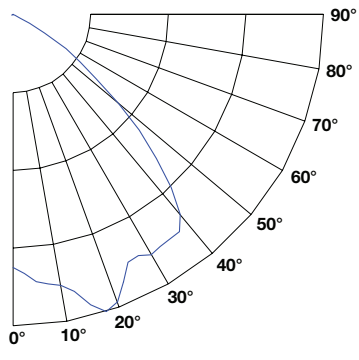
Beam diameter is to 50% of maximum footcandles, rounded to the nearest half-foot.  
Footcandle values are initial, apply appropriate light loss factors where necessary.

Zonal Lumen Summary			
Zone	Lumens	% Lamp	% Fixture
0-30	183.35	20.40	37.80
0-40	285.81	31.80	59.00
0-60	447.17	49.70	92.20
0-90	484.77	53.90	100.00

### PD6H118E-62H1GC\_18DTT

Spacing Criteria = 1.18  
Lumens per Watt = 32 LpW  
Test No. P31196  
Test Model: PD6H118E-62H1GC\_18DTT

Candlepower Distribution Curve



Candela Distribution	
Degrees Vertical	Candela
0°	299
5	294
15	278
25	249
35	213
45	160
55	100
65	32
75	1
85	0
90	0

\*CBCP

Luminance	
(Average Candela/M²)	
Degree	Avg. 0° Luminance
45	8855
55	6301
65	2426
75	99
85	0

Cone of Light Footcandles			
Distance to Illuminated Plane	Initial Nadir Footcandles	Beam (ft.)	
		L Length	W Width
5.5'	10	6	6.3
7'	6	7.7	8
8'	5	8.8	9.2
9'	4	9.9	10.3
10'	3	11	11.4
12'	2	13.1	13.7
14'	2	15.3	16

Beam diameter is to 50% of maximum footcandles, rounded to the nearest half-foot.  
Footcandle values are initial, apply appropriate light loss factors where necessary.

Zonal Lumen Summary			
Zone	Lumens	% Lamp	% Fixture
0-30	211.24	17.60	36.60
0-40	336.08	28.00	58.30
0-60	538.25	44.90	93.30
0-90	576.76	48.10	100.00

Note: Specifications and Dimensions subject to change without notice.

Visit our web site at [www.cooperlighting.com](http://www.cooperlighting.com)

## DESCRIPTION

Recessed 6 inch aperture lens downlight for one horizontal 13W or 18W double twin tube compact fluorescent lamp. Fixture is suitable for commercial construction and wet location listed. Insulation must be kept 3" from top and sides of housing. Universal input electronic ballast with dimming and emergency options.

Catalog #		Type
Project		
Comments		Date
Prepared by		

## SPECIFICATION FEATURES

### MECHANICAL

#### Frame

Boat shaped galvanized steel frame with 1/2" plaster lip accommodates ceilings up to 2" thick. May be used for new construction or remodeling installations. Provided with (2) remodel clips to secure frame when installed from below the ceiling.

#### Mounting Brackets

Bar hanger receivers adjusts 2" vertically from above the ceiling or thru the aperture. Use with No Fuss™ bar hangers or with 1/2" EMT. Removable to facilitate installation from below the ceiling.

#### No Fuss™ Bar Hangers

Pre-installed and centered bar hanger locks to tee grid with a screwdriver or pliers. Centering marks on the bar hanger mechanism allows consistent positioning of fixtures.

### OPTICAL

#### Reflector

One piece aluminum reflector secures lens in place with integrated spring clips for a visually comfortable optic and allows for tool-less lens exchange from below the ceiling. Available with clear, diffuse, prismatic, fresnel, or drop opal glass lens. Optional cross blade louver provides sharper cutoff to lamp. Self flanged standard.

- **Specular Reflectors** - Polished flange standard with white painted flange option.

- **Baffles and White Reflector** - White painted flange standard.

#### Trim Retention

Reflector is retained with two torsion springs and held tightly to the finished ceiling surface.

### ELECTRICAL

#### Junction Box

(6) 1/2" and (2) 3/4" trade size pry outs positioned to allow straight conduit runs. Listed for (12) #12 AWG (six in, six out) 90°C conductors and feed thru branch wiring.

#### Lamp Socket

4-pin G24q base accepts (1) 13W or 18W DTT lamp.

#### Socket Housing

Galvanized steel socket housing attached securely to reflector with captive thumbscrew. Vents provide effective lamp thermal management.

#### Control Gear

Universal 120V - 277V UNV or 347V input electronic ballast for 13W or 18W compact fluorescent lamp.

#### Emergency Battery Pack

REM - Remote emergency test switch. Housing includes 120V/277V, 60Hz dual-tap battery pack provides 90 minutes of emergency illumination. Long life maintenance free sealed nickel cadmium batteries recharge fully in 24 hours. REM configuration includes prewired and attached remote test switch plate and indicator light. REM option is the standard emergency configuration, and is compatible with all standard reflector options, ordered separately.

IEM - Integral emergency test switch. Housing includes 120V/277V, 60Hz dual-tap battery pack provides 90 minutes of emergency illumination. Long life maintenance free sealed nickel cadmium batteries recharge fully in 24 hours. IEM configuration includes a prewired integral emergency test switch and indicator light that are both

accessible inside the reflector. The IEM option requires "EM" designated reflectors only, ordered separately.

Emergency Battery Pack - Average Lamp Lumen Ratings

REM option: 13W 350lm, 18W 350lm

IEM option: 13W 570lm, 18W 680lm

(Note: average lamp lumens are based upon REM and IEM manufacturer ratings. Delivered lumens depend upon trim; refer to trim photometry to factor delivered lumens).

#### Code Compliance

- Thermally protected and cULus listed for wet locations.

- IP44 rated for lens trims.

- NFPA Life Safety (Emergency Battery Pack).

- EMI/RFI per FCC Title 47 CFR, Part 18, non consumer limits.

- High efficacy luminaire may be used to meet IECC, ASHRAE, and Title 24 commercial standards.



**PD6H113**  
**PD6H118**  
**62H**

**(1) 13W or 18W DTT**

**Compact Fluorescent**

**6-Inch Aperture**

**Lens Downlight**

**New Construction or Remodel Non-IC**

## ENERGY DATA

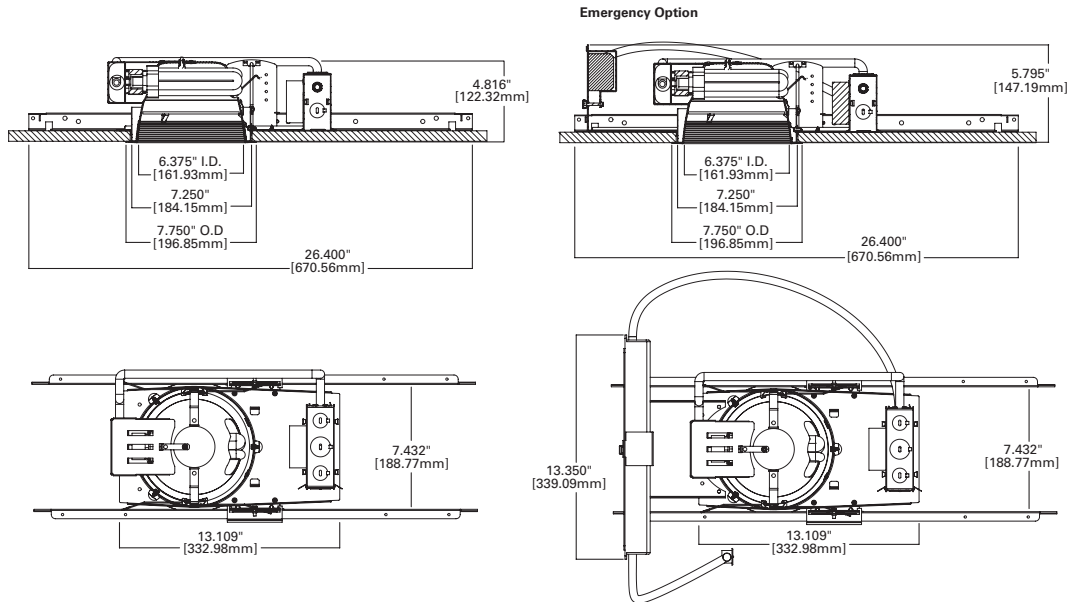
PD6H113E, PD6CPH113E	
MIN. STARTING TEMP -5°F / -20°C	SOUND RATING CLASS A
EMI/RFI EMISSIONS FCC 47CFR PART 18 NON-CONSUMER LIMITS	
INPUT FREQUENCY 50/60 HZ	POWER FACTOR > 0.98
THD < 10%	INPUT VOLTAGE 120V - 277V ±10%
CREST FACTOR < 1.7	BALLAST FACTOR 1.00
OPERATING FREQUENCY > 40kHz	UL LISTED CLASS P, TYPE 1 OUTDOOR, CSA OR C/UL CERTIFIED
CFQ13W/G24Q	INPUT POWER 16W
	INPUT CURRENT 0.25A @ 120V
	INPUT CURRENT 0.11A @ 277V

PD6H113E	
Min. Starting Temp 0°F / -18°C	SOUND RATING CLASS A
EMI/RFI EMISSIONS FCC 47CFR Part 18 Non-Consumer Limits	
Input Frequency 50-60Hz	POWER FACTOR > 0.98
THD < 10%	INPUT VOLTAGE 347VAC ±10%
Crest factor < 1.7	BALLAST FACTOR 1.00
Operating Frequency 62-72 kHz	cULUS CERTIFIED
CFQ13W/G24Q	INPUT POWER 18W
	INPUT CURRENT 0.06A @ 347V

PD6H118E, PD6CPH118E	
Min. Starting Temp 0°F / -18°C	SOUND RATING CLASS A
EMI/RFI EMISSIONS FCC 47CFR Part 18 Non-Consumer Limits	
Input Frequency 50/60 Hz	Power Factor > 0.98 @ 120V
THD < 10% @ 120V	Power Factor > 0.95 @ 277V
THD < 15% @ 277V	Input Voltage 120VAC - 277VAC ±10%
Crest factor < 1.5	Ballast factor 1.00
Operating Frequency 50-60kHz	cULus, Class P, Type 1 Outdoor, Type CC, Type HL
CFQ18W/G24Q	Input Power 19W
	Input Current 0.16A @ 120V
	Input Current 0.07A @ 277V

PD6H118E	
Min. Starting Temp 0°F / -18°C	SOUND RATING CLASS A
EMI/RFI EMISSIONS FCC 47CFR Part 18 Non-Consumer Limits	
Input Frequency 50-60Hz	Power Factor > 0.98
THD < 10%	Input Voltage 347VAC ±10%
Crest factor < 1.5	Ballast factor 1.00
Operating Frequency 60-70 kHz	cULUS Certified
CFQ18W/G24Q	Input Power 21W
	Input Current 0.06A @ 347V

## DIMENSIONS



## ORDERING INFORMATION

SAMPLE NUMBER: PD6H113E 62H1GC

Order housing, reflector and lamp separately for a complete luminaire.

<p><b>Housing</b>  <b>PD6H113</b> = 6 Inch horizontal                  (1) 13W DTT CFL  <b>PD6CPH113</b> = 6 Inch horizontal                  (1) 13W DTT CFL,                  CCEA listed                  (Chicago Plenum)</p>	<p><b>Reflector</b>  <b>62H</b> = 6" horizontal  <b>62HEM</b> = 6" horizontal,                  Emergency (required                  with IEM ballast option)</p>	<p><b>Regressed Lens Option</b>  <b>1G</b>=Prismatic Glass  <b>2G</b>=Diffuse Glass  <b>3G</b>=Clear Glass  <b>4G</b>=Fresnel Glass</p>	<p><b>Finish Option</b>  <b>C</b>=Specular Clear  <b>G</b>=Specular Gold  <b>H</b>=Semi Specular Clear  <b>W</b>=White (White Flange)  <b>BB</b>=Black Baffle (White Flange)  <b>WB</b>=White Baffle (White Flange)</p>	<p><b>Flange Option</b>  <b>Blank</b>=Polished Flange                  (C, G, H)  <b>Blank</b>=White flange                  (W, BB, WB)  <b>WF</b>=White Flange                  (C, G, H)</p>	<p><b>Accessories</b>  <b>HB128APK</b> = L channel hanger bar,                  26", 'No-Fuss',                  pair (replacement)  <b>RMB22</b> = 22" long wood                  joist mounting bars</p>
<p><b>Ballast Option</b>  <b>E</b> = 120V – 277V 50/60Hz UNV  <b>REM</b> = 120V/277V 60Hz dual-tap emergency                  battery ballast with remote test switch plate  <b>3E</b> = 347V, 50/60Hz  <b>EDMARK7</b> = 5% 0-10V discrete two-wire (13W)                  dimming, 120-277V  <b>EDMARK7REM</b> = 5% 0-10V discrete two-wire (13W) dimming, 120-277V; with REM emergency option</p> <p><b>Integral Emergency Ballast Option</b>  <b>IEM</b> = 120/277V 60Hz dual-tap, Integral Emergency battery ballast with test switch through reflector*  <b>EDMARK7IEM</b> = 5% 0-10V discrete two-wire (13W) dimming, 120-277V; with IEM emergency option*                  *Requires "EM" reflectors only, ordered separately</p>		<p><b>Polymer "Dead Front" Trim</b><sup>1,2</sup>  <b>1GDF</b>=Prismatic Glass with "Dead Front" Trim  <b>2GDF</b>=Diffuse Glass with "Dead Front" Trim  <b>3GDF</b>=Clear Glass with "Dead Front" Trim  <b>4GDF</b>=Fresnel Glass with "Dead Front" Trim  <b>5GDF</b>=Drop Opal Glass with "Dead Front" Trim</p>	<p><b>Note:</b>                  1"DF" trim option includes Specular Clear (C)                  reflector and white polymer flange only.                  No other finish or flange options apply.                  2"DF" trim option not available with "IEM" emergency.</p>		

SAMPLE NUMBER: PD6H118E 62H1GC

Order housing, reflector and lamp separately for a complete luminaire.

<p><b>Housing</b>  <b>PD6H118</b> = 6 Inch horizontal                  (1) 18W DTT CFL  <b>PD6CPH118</b> = 6 Inch horizontal                  (1) 18W DTT CFL,                  CCEA listed                  (Chicago Plenum)</p>	<p><b>Reflector</b>  <b>62H</b> = 6" horizontal  <b>62HEM</b> = 6" horizontal,                  Emergency (required                  with IEM ballast option)</p>	<p><b>Regressed Lens Option</b>  <b>1G</b>=Prismatic Glass  <b>2G</b>=Diffuse Glass  <b>3G</b>=Clear Glass  <b>4G</b>=Fresnel Glass</p>	<p><b>Finish Option</b>  <b>C</b>=Specular Clear  <b>G</b>=Specular Gold  <b>H</b>=Semi Specular Clear  <b>W</b>=White (White Flange)  <b>BB</b>=Black Baffle (White Flange)  <b>WB</b>=White Baffle (White Flange)</p>	<p><b>Flange Option</b>  <b>Blank</b>=Polished Flange                  (C, G, H)  <b>Blank</b>=White flange                  (W, BB, WB)  <b>WF</b>=White Flange                  (C, G, H)</p>	<p><b>Accessories</b>  <b>HB128APK</b> = L channel hanger bar,                  26", 'No-Fuss',                  pair (replacement)  <b>RMB22</b> = 22" long wood                  joist mounting bars</p>
<p><b>Ballast Option</b>  <b>E</b> = 120V – 277V 50/60Hz UNV  <b>REM</b> = 120V/277V 60Hz dual-tap emergency                  battery ballast with remote test switch plate  <b>3E</b> = 347V, 50/60Hz  <b>1DMARKX</b> = 5% two-wire (18W) dimming, 120V  <b>2DMARKX</b> = 5% two-wire (18W) dimming, 277V  <b>EDMARK7</b> = 5% 0-10V discrete two-wire (18W) dimming, 120-277V  <b>1DMARKXREM</b> = 5% two-wire (18W) dimming, 120V; with REM emergency option  <b>2DMARKXREM</b> = 5% two-wire (18W) dimming, 277V; with REM emergency option  <b>EDMARK7REM</b> = 5% 0-10V discrete two-wire (18W) dimming, 120-277V; with REM emergency option</p> <p><b>Integral Emergency Ballast Option</b>  <b>IEM</b> = 120/277V 60Hz dual-tap, Integral Emergency battery ballast with test switch through reflector*  <b>1DMARKXIEM</b> = 5% two-wire (18W) dimming, 120V; with IEM emergency option*  <b>2DMARKXIEM</b> = 5% two-wire (18W) dimming, 277V; with IEM emergency option*  <b>EDMARK7IEM</b> = 5% 0-10V discrete two-wire (18W) dimming, 120-277V; with IEM emergency option*                  *Requires "EM" reflectors only, ordered separately</p>		<p><b>Polymer "Dead Front" Trim</b><sup>1,2</sup>  <b>1GDF</b>=Prismatic Glass with "Dead Front" Trim  <b>2GDF</b>=Diffuse Glass with "Dead Front" Trim  <b>3GDF</b>=Clear Glass with "Dead Front" Trim  <b>4GDF</b>=Fresnel Glass with "Dead Front" Trim  <b>5GDF</b>=Drop Opal Glass with "Dead Front" Trim</p>	<p><b>Note:</b>                  1"DF" trim option includes Specular Clear (C)                  reflector and white polymer flange only.                  No other finish or flange options apply.                  2"DF" trim option not available with "IEM" emergency.</p>		

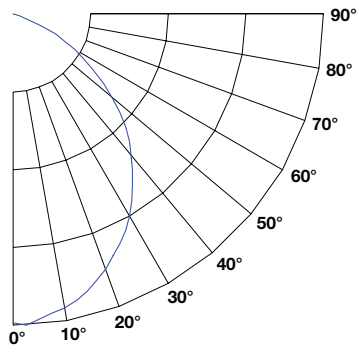


## PHOTOMETRY

### PD6H113E-62H1GC\_13DTT

Spacing Criteria = 0.92  
Lumens per Watt = 31 LpW  
Test No. P31431  
Test Model: PD6H113E-62H1GC\_13DTT

#### Candlepower Distribution Curve



#### Candela Distribution

Degrees Vertical	Candela
0°	263
5	251
15	217
25	172
35	128
45	92
55	60
65	30
75	1
85	0
90	0

\*CBCP

#### Luminance

(Average Candela/M <sup>2</sup> )	
Degree	Avg. 0° Luminance
45	5092
55	3781
65	2275
75	99
85	0

#### Cone of Light Footcandles

Distance to Illuminated Plane	Initial Nadir Footcandles	Beam (ft.)	
		L Length	W Width
5.5'	9	5.5	6.3
7'	5	7.1	8
8'	4	8.1	9.1
9'	3	9.1	10.3
10'	3	10.1	11.4
12'	2	12.1	13.7
14'	1	14.1	16

Beam diameter is to 50% of maximum footcandles, rounded to the nearest half-foot.  
Footcandle values are initial, apply appropriate light loss factors where necessary.

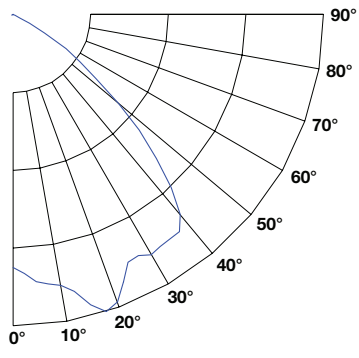
#### Zonal Lumen Summary

Zone	Lumens	% Lamp	% Fixture
0-30	183.35	20.40	37.80
0-40	285.81	31.80	59.00
0-60	447.17	49.70	92.20
0-90	484.77	53.90	100.00

### PD6H118E-62H1GC\_18DTT

Spacing Criteria = 1.18  
Lumens per Watt = 32 LpW  
Test No. P31196  
Test Model: PD6H118E-62H1GC\_18DTT

#### Candlepower Distribution Curve



#### Candela Distribution

Degrees Vertical	Candela
0°	299
5	294
15	278
25	249
35	213
45	160
55	100
65	32
75	1
85	0
90	0

\*CBCP

#### Luminance

(Average Candela/M <sup>2</sup> )	
Degree	Avg. 0° Luminance
45	8855
55	6301
65	2426
75	99
85	0

#### Cone of Light Footcandles

Distance to Illuminated Plane	Initial Nadir Footcandles	Beam (ft.)	
		L Length	W Width
5.5'	10	6	6.3
7'	6	7.7	8
8'	5	8.8	9.2
9'	4	9.9	10.3
10'	3	11	11.4
12'	2	13.1	13.7
14'	2	15.3	16

Beam diameter is to 50% of maximum footcandles, rounded to the nearest half-foot.  
Footcandle values are initial, apply appropriate light loss factors where necessary.

#### Zonal Lumen Summary

Zone	Lumens	% Lamp	% Fixture
0-30	211.24	17.60	36.60
0-40	336.08	28.00	58.30
0-60	538.25	44.90	93.30
0-90	576.76	48.10	100.00

Note: Specifications and Dimensions subject to change without notice.

Visit our web site at [www.cooperlighting.com](http://www.cooperlighting.com)