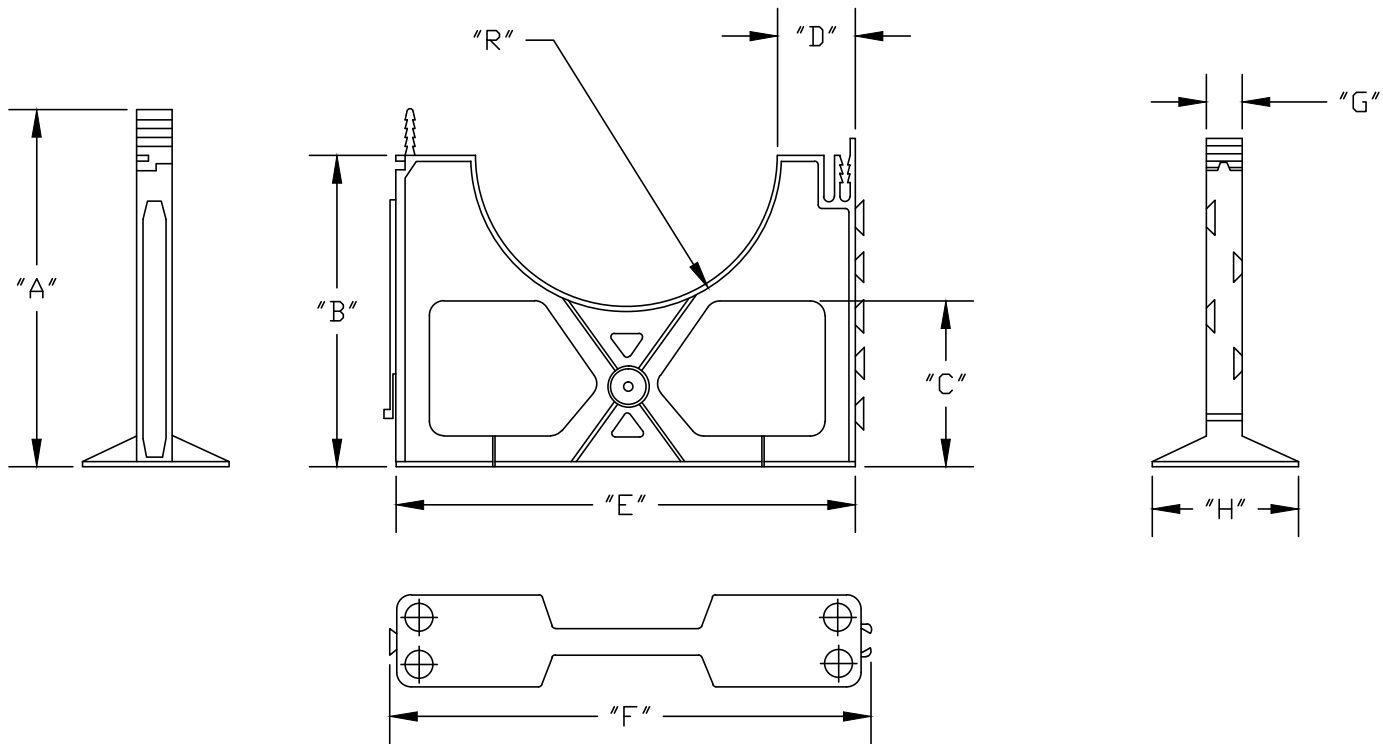


| PART NUMBER | SIZE | "A" | "B" | "C" | "D" | "E" | "F" | "G" | "H" | "R" |
|-------------|-------------|---------|--------|-----|--------|--------|--------|-----|-----|----------|
| 5335963 | 3" X 1 1/2" | 5 1/2" | 4 3/4" | 3" | 3/4" | 5 1/8" | 5 3/8" | 1" | 3" | 1 13/16" |
| 5335964 | 3" X 2" | 5 1/2" | 4 3/4" | 3" | 1" | 5 5/8" | 5 7/8" | 1" | 3" | 1 13/16" |
| 5335975 | 3" X 3" | 5 7/16" | 4 3/4" | 3" | 1 1/2" | 6 5/8" | 6 7/8" | 1" | 3" | 1 13/16" |

Material is Polystyrene
Recommended spacing is 5 to 8 feet



Patents: US 7,828,251 B2 , US D556,030 S , US D558,559 S

| | | |
|---|----------------------|---------------------|
| CANTEX INC. Fort Worth, TEXAS | | |
| 3" Base Spacers Plastic Spacers for Duct | | |
| Drawn By: CD Branch | Date: 11/1/18 | Ref. 5335963 |