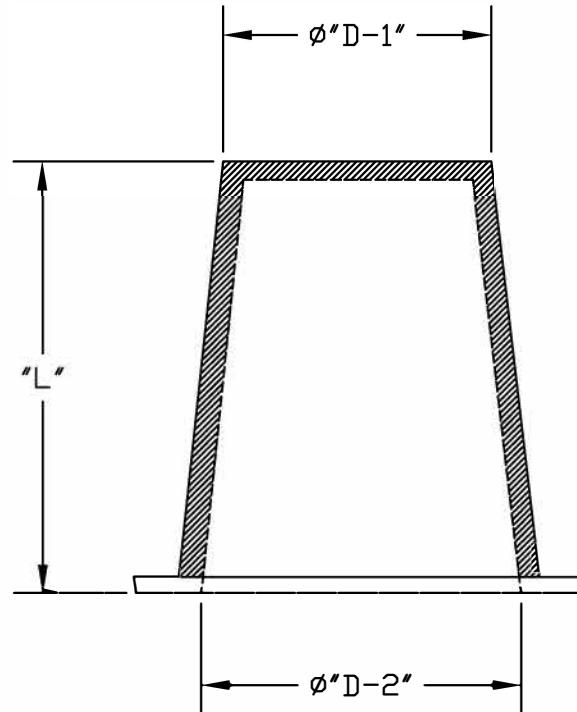
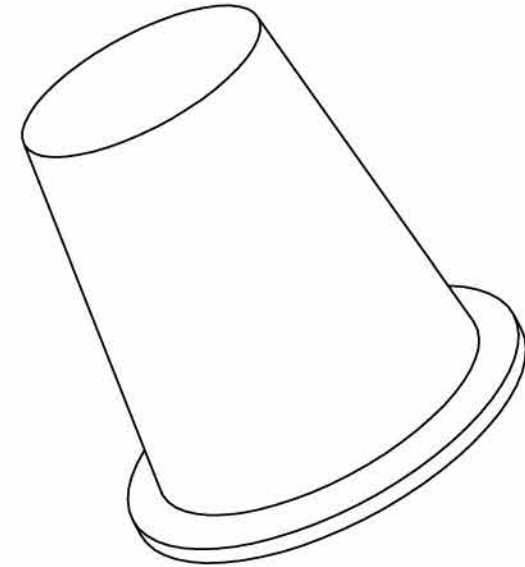


PART NUMBER	SIZE	"L"	"D-1"	"D-2"
5315248	2"	3 1/4"	1 7/8"	2 7/16"
5315250	3"	3 13/16"	2 5/8"	3 7/16"
5315252	4"	4 1/16"	3 1/16"	4 7/16"
5315253	5"	3 13/16"	4 3/4"	5 1/2"
5315254	6"	3 13/16"	5 9/16"	6 1/2"
5143989	8"	1"	7 15/16"	8"



MATERIAL - POLYETHYLENE

All dimensions are nominal and in inches

TOLERANCES

± 1/16

CANTEX

INC.
Fort Worth, TEXAS

Poly Plugs
Schedule 40 & 80 Special Fittings

Drawn By: CD Branch

Date:03/05/08

Ref.