

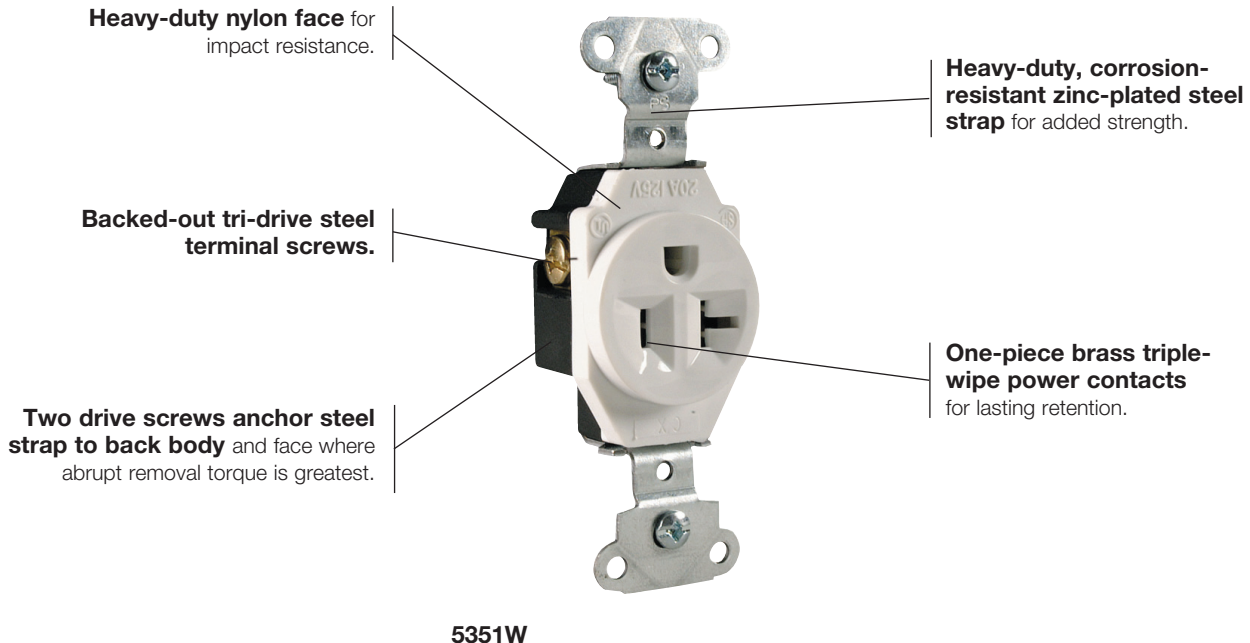
## 5251, 5351, 5651, 5851

### Long-term durability for commercial applications.

Tough nylon faces provide superior impact resistance. And the heavy-gauge steel straps provide added strength for tough applications. These dependable performers feature extra-durable, single-piece, triple-wipe brass power contacts, too.



#### FEATURES & BENEFITS



#### FIELD USES/VERTICAL MARKETS

- Retail
- Multiple Dwelling
- Hospitality/Lodging
- Office



# PASS & SEYMOUR®

## Specification Grade Single Receptacles 15 & 20A, 125, 250V

### ORDERING INFORMATION

Catalog Number	Rating		Color*	NEMA Config. No.
	A.	V.		
<b>Single Receptacles Back &amp; Side Wire</b>				
<b>5251I</b>	15	125	Ivory	5-15R
<b>5251W</b>	15	125	White	5-15R
<b>5251</b>	15	125	Brown	5-15R
<b>5251LA</b>	15	125	Light Almond	5-15R
<b>5351I</b>	20	125	Ivory	5-20R
<b>5351W</b>	20	125	White	5-20R
<b>5351</b>	20	125	Brown	5-20R
<b>5351LA</b>	20	125	Light Almond	5-20R
<b>5651I</b>	15	250	Ivory	6-15R
<b>5651W</b>	15	250	White	6-15R
<b>5651</b>	15	250	Brown	6-15R
<b>5651LA</b>	15	250	Light Almond	6-15R
<b>5851I</b>	20	250	Ivory	6-20R
<b>5851W</b>	20	250	White	6-20R
<b>5851</b>	20	250	Brown	6-20R
<b>5851LA</b>	20	250	Light Almond	6-20R

\*Other colors available upon request. Please contact your local sales representative.



NEMA  
5-15R



NEMA  
5-20R



NEMA  
6-15R



NEMA  
6-20R

For more information on these and other P&S products refer to our Catalog or visit our web site.

# PASS & SEYMOUR®

## Specification Grade Single Receptacles 15 & 20A, 125, 250V



### TECHNICAL SPECIFICATIONS

#### 3rd Party Compliance

UL Listed, File Number E140596, Standard UL498; CSA Certified, Standard CSA-C22.2 No. 42.

#### Performance

##### Electrical

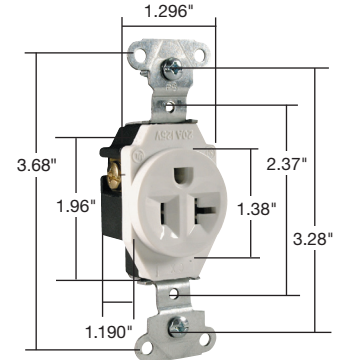
Dielectric Voltage	Withstands 2000V minimum
Maximum Working Voltage	125V / 250V (5851 models)
Current Interrupting	Certified for current interrupting at full-rated current
Temperature Rise	Maximum 30°C temperature rise at full-rated current after 50 cycles of overload at 150% of rated current with direct current

##### Mechanical

Terminal Identification	Terminal identification in accordance with UL498 (Brass, White, Green)
Terminal Accommodation	#14 - #10 AWG copper conductor only
Product Identification	Ratings are a permanent part of the device

##### Environmental

Flammability	UL94 V2
--------------	---------



Dimensions for  
15 & 20 Amp

#### Materials

Face	Nylon	Terminal Screws	Tri-Drive Brass
Back Body	PVC	Hex Head Grounding Screw	Tri-Drive Zinc
Contacts	.032 (.8) Brass		Plated Steel
Clamping Plate	.080 Steel	Assembly Rivets	Steel
Mounting Strap	.042 Steel	Mounting Screws	Tri-Drive Steel

#### Warranty

1 Year

For more information on these and other P&S products refer to our Catalog or visit our web site.

#### ALSO AVAILABLE...

- Hospital Grade Devices
- SPD & Isolated Ground Devices
- Ground Continuity Monitoring (GCM)
- Straight Blade Plugs & Connectors
- Turnlok® Locking Devices
- Weatherproof Boxes & Covers
- IEC 309 Industrial Products
- Flexcor® Wire Mesh Grips



#### Electrical Wiring Systems

P.O. Box 4822  
Syracuse, NY 13221-4822  
Phone: 1.800.776.4035  
[www.legrand.us/passandseymour](http://www.legrand.us/passandseymour)

570 Applewood Crescent  
Vaughan, Ontario L4K 4B4  
Phone: 905.738.9195  
[www.legrand.ca](http://www.legrand.ca)

# PASS & SEYMOUR®

## Specification Grade Single Receptacles 15 & 20A, 125, 250V

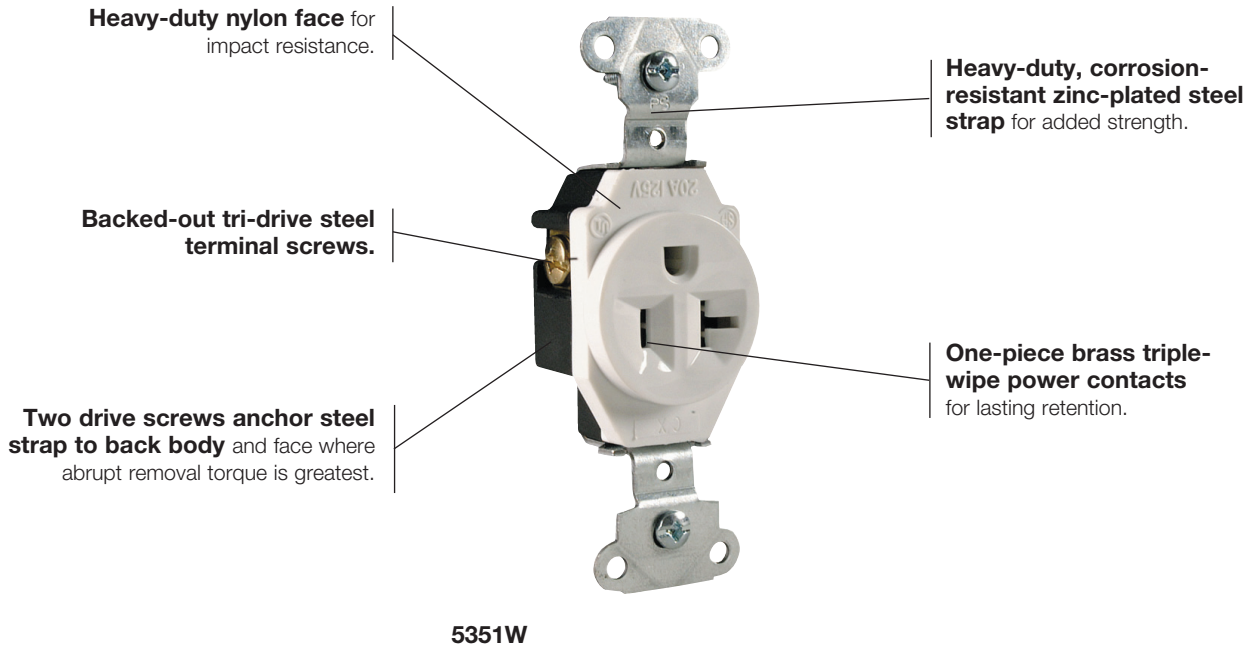
**5251, 5351, 5651, 5851**

### Long-term durability for commercial applications.

Tough nylon faces provide superior impact resistance. And the heavy-gauge steel straps provide added strength for tough applications. These dependable performers feature extra-durable, single-piece, triple-wipe brass power contacts, too.



### FEATURES & BENEFITS



### FIELD USES/VERTICAL MARKETS

- Retail
- Multiple Dwelling
- Hospitality/Lodging
- Office



# PASS & SEYMOUR®

## Specification Grade Single Receptacles 15 & 20A, 125, 250V

### ORDERING INFORMATION

Catalog Number	Rating		Color*	NEMA Config. No.
	A.	V.		
<b>Single Receptacles Back &amp; Side Wire</b>				
<b>5251I</b>	15	125	Ivory	5-15R
<b>5251W</b>	15	125	White	5-15R
<b>5251</b>	15	125	Brown	5-15R
<b>5251LA</b>	15	125	Light Almond	5-15R
<b>5351I</b>	20	125	Ivory	5-20R
<b>5351W</b>	20	125	White	5-20R
<b>5351</b>	20	125	Brown	5-20R
<b>5351LA</b>	20	125	Light Almond	5-20R
<b>5651I</b>	15	250	Ivory	6-15R
<b>5651W</b>	15	250	White	6-15R
<b>5651</b>	15	250	Brown	6-15R
<b>5651LA</b>	15	250	Light Almond	6-15R
<b>5851I</b>	20	250	Ivory	6-20R
<b>5851W</b>	20	250	White	6-20R
<b>5851</b>	20	250	Brown	6-20R
<b>5851LA</b>	20	250	Light Almond	6-20R

\*Other colors available upon request. Please contact your local sales representative.



NEMA  
5-15R



NEMA  
5-20R



NEMA  
6-15R



NEMA  
6-20R

For more information on these and other P&S products refer to our Catalog or visit our web site.

# PASS & SEYMOUR®

## Specification Grade Single Receptacles 15 & 20A, 125, 250V



### TECHNICAL SPECIFICATIONS

#### 3rd Party Compliance

UL Listed, File Number E140596, Standard UL498; CSA Certified, Standard CSA-C22.2 No. 42.

#### Performance

##### Electrical

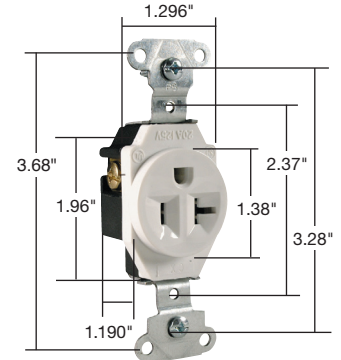
Dielectric Voltage	Withstands 2000V minimum
Maximum Working Voltage	125V / 250V (5851 models)
Current Interrupting	Certified for current interrupting at full-rated current
Temperature Rise	Maximum 30°C temperature rise at full-rated current after 50 cycles of overload at 150% of rated current with direct current

##### Mechanical

Terminal Identification	Terminal identification in accordance with UL498 (Brass, White, Green)
Terminal Accommodation	#14 - #10 AWG copper conductor only
Product Identification	Ratings are a permanent part of the device

##### Environmental

Flammability	UL94 V2
--------------	---------



**Dimensions for  
15 & 20 Amp**

#### Materials

Face	Nylon	Terminal Screws	Tri-Drive Brass
Back Body	PVC	Hex Head Grounding Screw	Tri-Drive Zinc
Contacts	.032 (.8) Brass		Plated Steel
Clamping Plate	.080 Steel	Assembly Rivets	Steel
Mounting Strap	.042 Steel	Mounting Screws	Tri-Drive Steel

#### Warranty

1 Year

For more information on these and other P&S products refer to our Catalog or visit our web site.

#### ALSO AVAILABLE...

- Hospital Grade Devices
- Ground Continuity Monitoring (GCM)
- Turnlok® Locking Devices
- IEC 309 Industrial Products
- SPD & Isolated Ground Devices
- Straight Blade Plugs & Connectors
- Weatherproof Boxes & Covers
- Flexcor® Wire Mesh Grips



#### Electrical Wiring Systems

P.O. Box 4822  
Syracuse, NY 13221-4822  
Phone: 1.800.776.4035  
[www.legrand.us/passandseymour](http://www.legrand.us/passandseymour)

570 Applewood Crescent  
Vaughan, Ontario L4K 4B4  
Phone: 905.738.9195  
[www.legrand.ca](http://www.legrand.ca)