

## PVC Coated Elbows

Catalog Number: PRHELB-3/4X90

UPC: 784011200207

### Description

#### 3/4X90 PVC Coated Standard Elbow

Factory-bent PVC coated elbows are more accurate, quicker to install and more economical because they eliminate field bending time and waste of material. Electrical continuity is maintained across assembled joints.

### Application

- Factory-bent for accurate, quicker to install and eliminates costly field bending and waste of material
- Factory-bent for accurate, quicker to install and eliminates costly field bending and waste of material

### Features

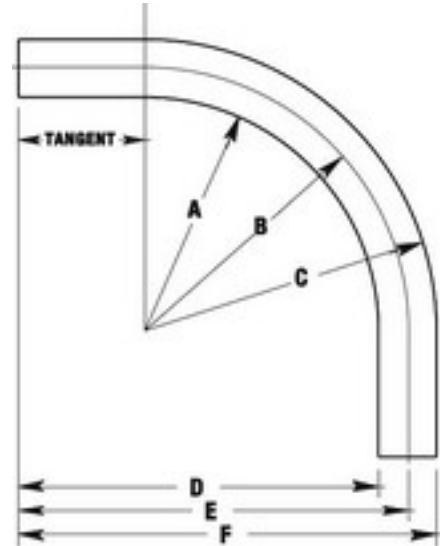
- 40 mil gray PVC exterior coating
- 2 mil red urethane interior coating
- 12 trade sizes from 1/2" through 6"
- Available in standard sizes 90°, 60°, 45°, 30° bends
- Color-coded thread protector caps for quick identification of conduit size

### General

Material:	STEEL
Exterior Finish:	A nominal .040 inch (40 mil) gray PVC coating
Interior Finish:	A nominal .002 inch (2 mil) red urethane
Thread Finish:	A red urethane coating over steel
Thread Protector Color:	Red

### Dimensions

Metric Size Designators	21
Nipple Length (Inches)	12-1/2
Diameter - External (Inches)	1.13
Diameter - Internal (Inches)	0.836
Radius A (Inches)	3.94
Radius B - Standard (Inches)	4.5
Radius C (Inches)	5.07
Offset D (Inches)	6.685
Offset E (Inches)	7.25
Offset F (Inches)	7.815
Tangent (Inches)	2.75





## PVC Coated Elbows

Catalog Number: PRHELB-3/4X90

UPC: 784011200207

### Technical / Specification Documents

---

Specification Guide (1995 Master) *AVAILABLE ON WEBSITE*

---

Specification Guide (2004 Master) *AVAILABLE ON WEBSITE*

---

Installer Certification and Tools *AVAILABLE ON WEBSITE*

---

Chemical Resistance Charts *AVAILABLE ON WEBSITE*

---

Performance Specifications *AVAILABLE ON WEBSITE*

---

### Standards

---

UL 6: E2314

---

CSA Certified: C22.2 No. 45

---

### Notes

---

Both PVC and zinc coatings have been investigated as primary protection against corrosion.

---

Restricted for use with threaded fittings only.

---



## PVC Coated Elbows

Catalog Number: PRHELB-3/4X90

UPC: 784011200207

### Description

#### 3/4X90 PVC Coated Standard Elbow

Factory-bent PVC coated elbows are more accurate, quicker to install and more economical because they eliminate field bending time and waste of material. Electrical continuity is maintained across assembled joints.

### Application

- Factory-bent for accurate, quicker to install and eliminates costly field bending and waste of material
- Factory-bent for accurate, quicker to install and eliminates costly field bending and waste of material

### Features

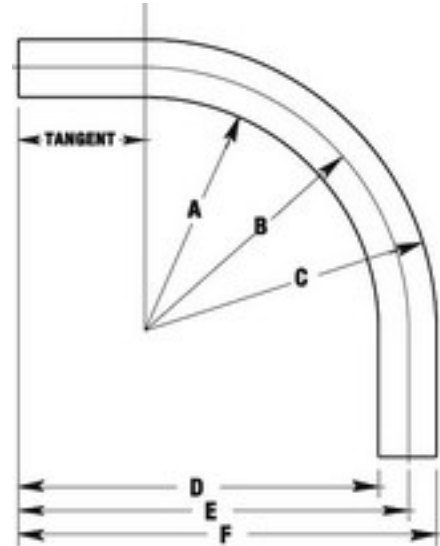
- 40 mil gray PVC exterior coating
- 2 mil red urethane interior coating
- 12 trade sizes from 1/2" through 6"
- Available in standard sizes 90°, 60°, 45°, 30° bends
- Color-coded thread protector caps for quick identification of conduit size

### General

Material:	STEEL
Exterior Finish:	A nominal .040 inch (40 mil) gray PVC coating
Interior Finish:	A nominal .002 inch (2 mil) red urethane
Thread Finish:	A red urethane coating over steel
Thread Protector Color:	Red

### Dimensions

Metric Size Designators	21
Nipple Length (Inches)	12-1/2
Diameter - External (Inches)	1.13
Diameter - Internal (Inches)	0.836
Radius A (Inches)	3.94
Radius B - Standard (Inches)	4.5
Radius C (Inches)	5.07
Offset D (Inches)	6.685
Offset E (Inches)	7.25
Offset F (Inches)	7.815
Tangent (Inches)	2.75





## PVC Coated Elbows

Catalog Number: PRHELB-3/4X90

UPC: 784011200207

### Technical / Specification Documents

---

Specification Guide (1995 Master) *AVAILABLE ON WEBSITE*

---

Specification Guide (2004 Master) *AVAILABLE ON WEBSITE*

---

Installer Certification and Tools *AVAILABLE ON WEBSITE*

---

Chemical Resistance Charts *AVAILABLE ON WEBSITE*

---

Performance Specifications *AVAILABLE ON WEBSITE*

---

### Standards

---

UL 6: E2314

---

CSA Certified: C22.2 No. 45

---

### Notes

---

Both PVC and zinc coatings have been investigated as primary protection against corrosion.

---

Restricted for use with threaded fittings only.

---

